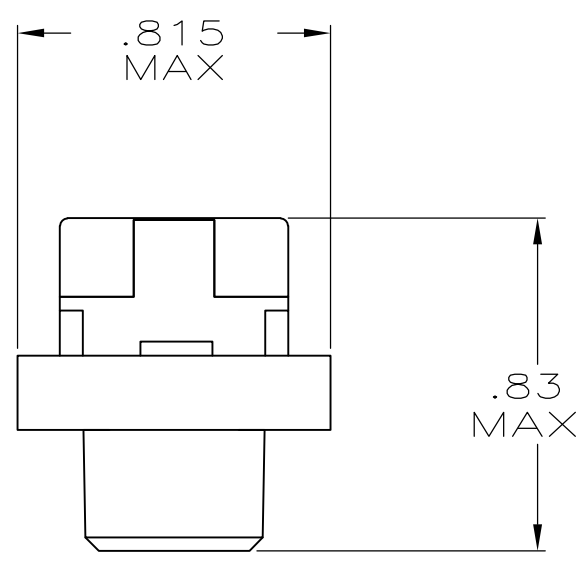
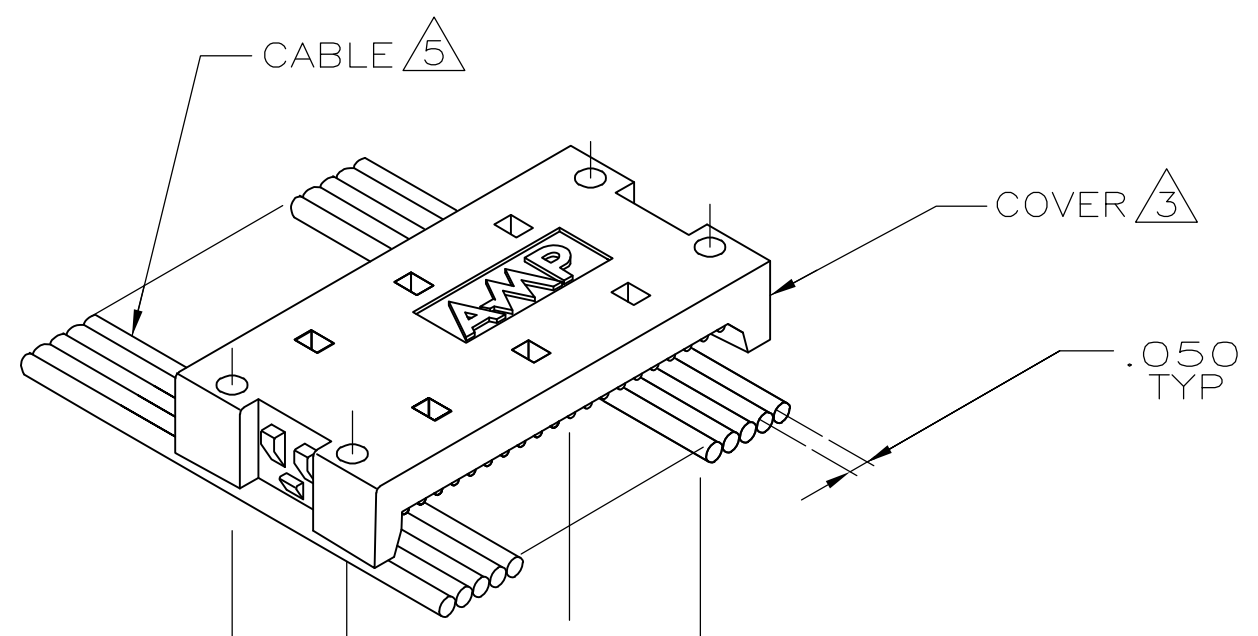
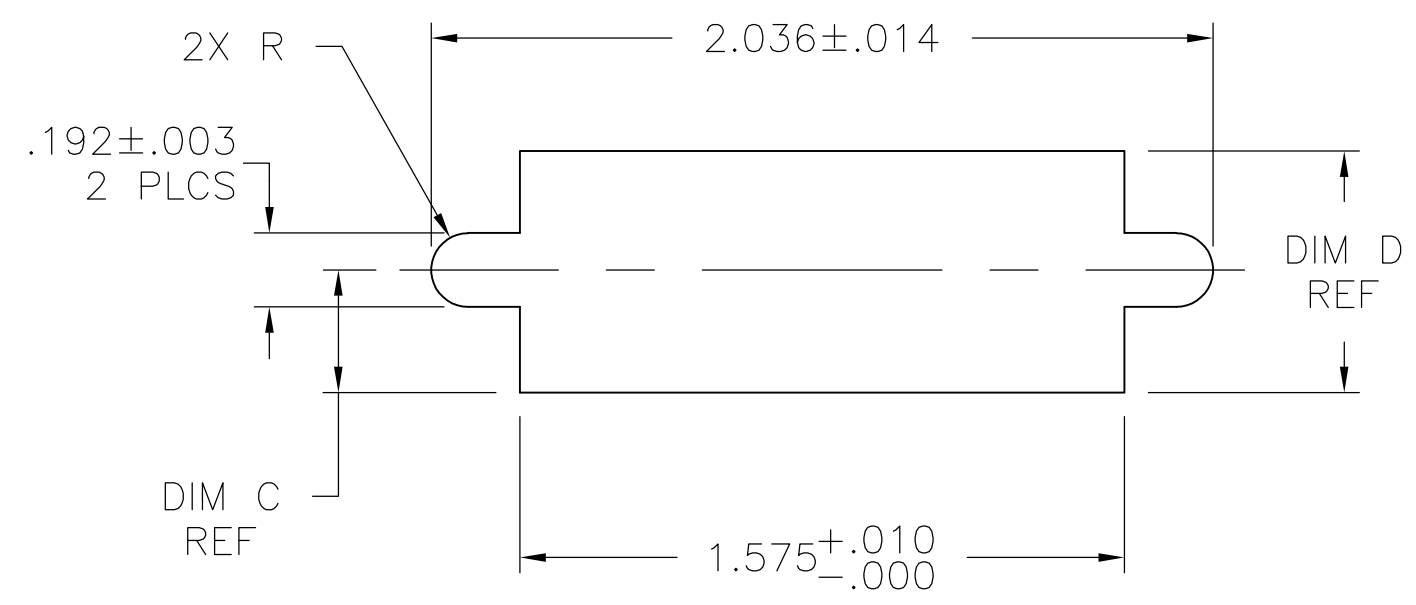
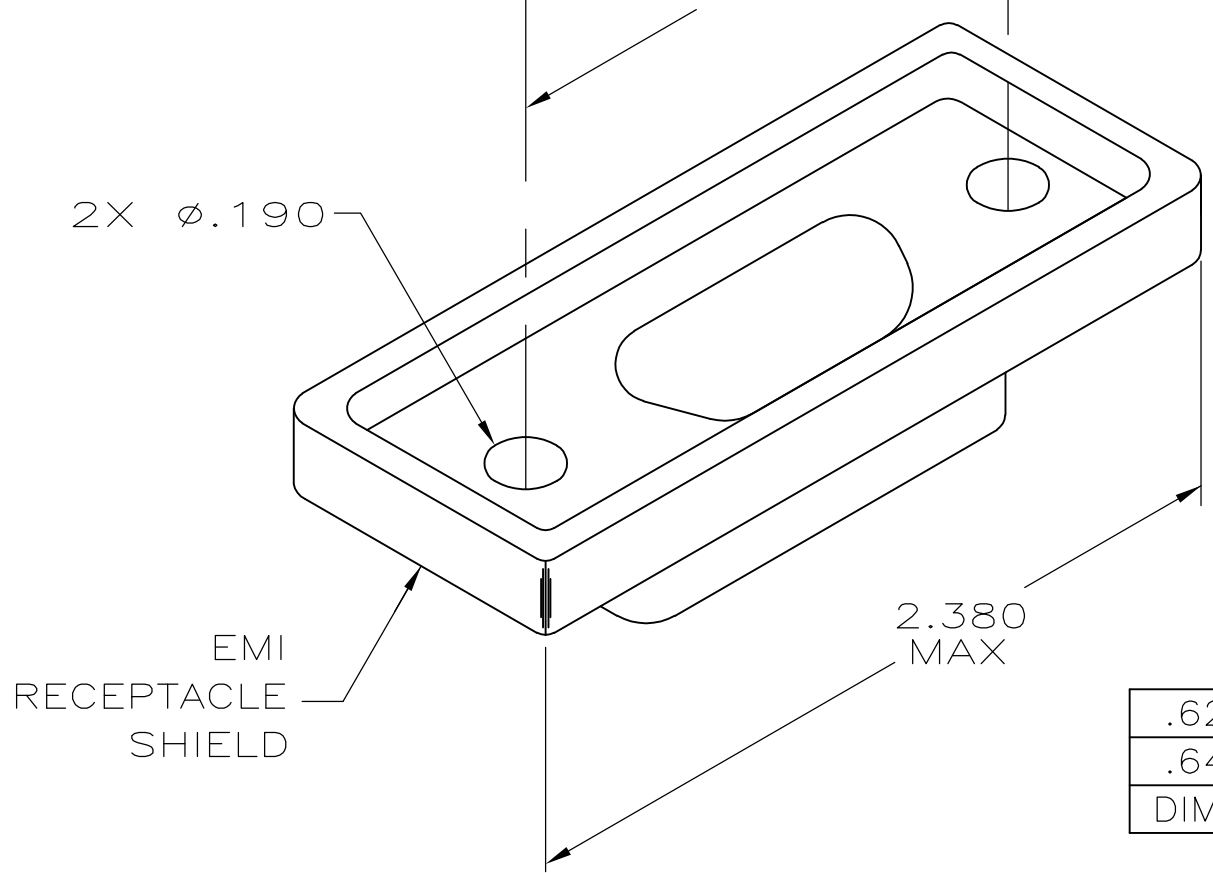
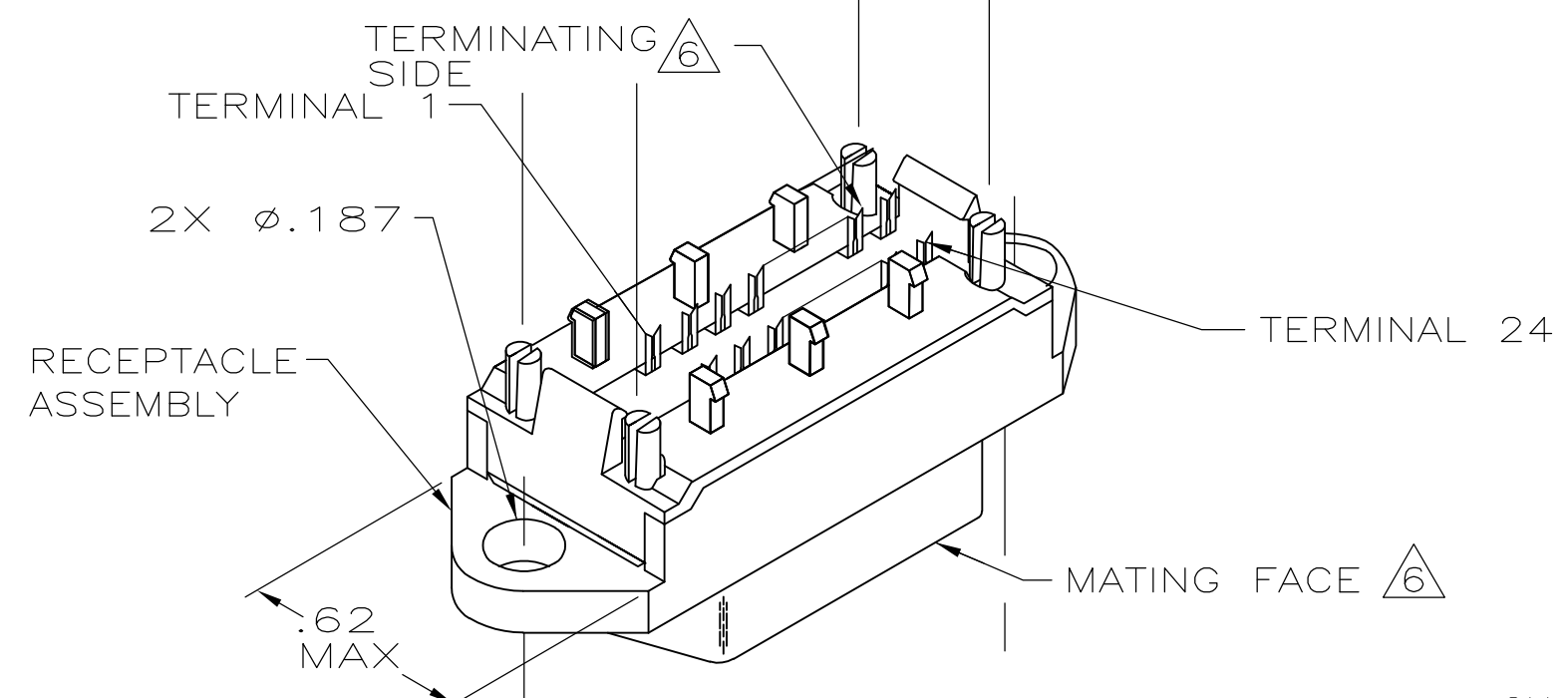


THIS DRAWING IS UNPUBLISHED. RELEASED FOR PUBLICATION
 © COPYRIGHT BY TYCO ELECTRONICS CORPORATION. ALL RIGHTS RESERVED.

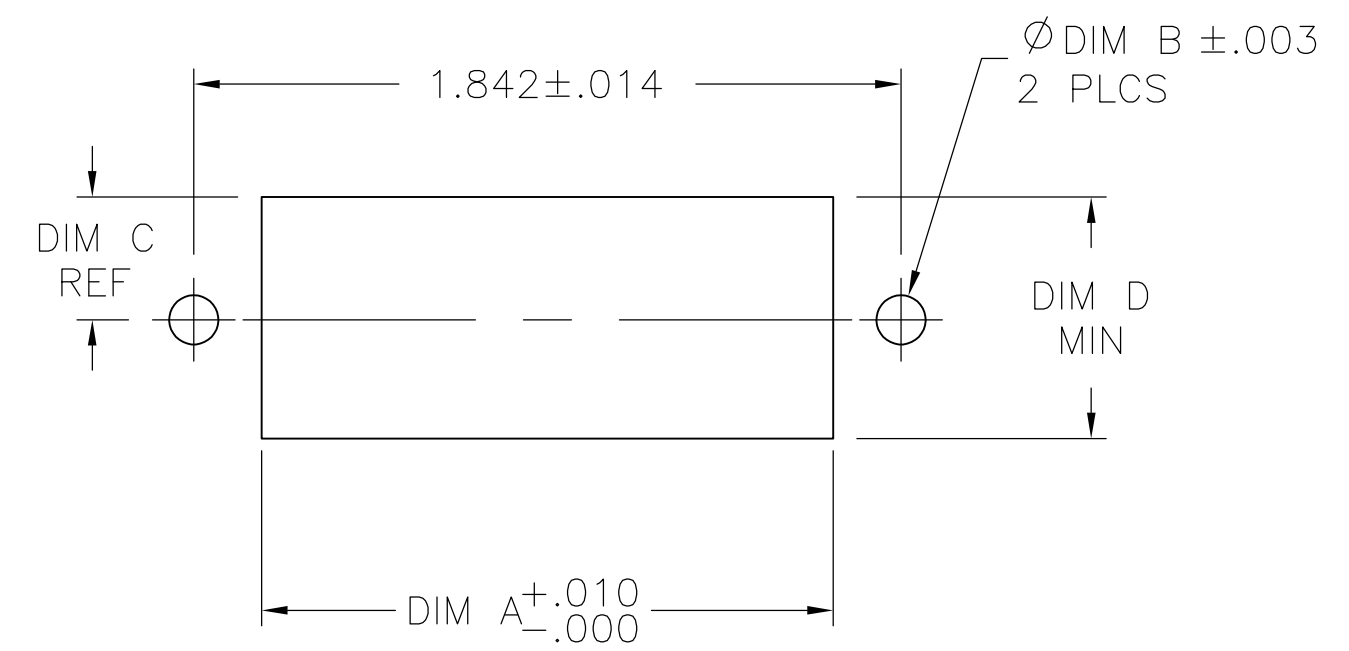
LOC		DIST		REVISIONS			
GP	00	P	LTR	DESCRIPTION	DATE	DWN	APVD
		J		REVISED PER ECO-08-007327	17APR08	BM	WM



END VIEW



SUGGESTED PANEL CUTOUT FOR METRIC HARDWARE (7)
SCALE 4:1



SUGGESTED PANEL CUTOUT FOR STANDARD HARDWARE (7)
SCALE 4:1

- THE CONTACT SURFACES OF THE TERMINALS ARE COATED WITH LUBRICANT.
- MATERIAL:
HOUSING & COVER - POLYPHENYLENE OXIDE, BLACK.
TERMINALS - PHOS BRONZE PLATED WITH EITHER .000030 MINIMUM GOLD PLATE OR GOLD FLASH OVER PALLADIUM NICKEL PLATE, .000030 MIN TOTAL ON MATING SURFACE. GOLD FLASH PLATED ON TERMINATING SIDE. .000050 MINIMUM NICKEL UNDERPLATE OVER ENTIRE TERMINAL.
EMI SHIELD - NICKEL PLATED DIE CASTING.
- COVER SHOWN LOOSE BUT SHIPPED ASSEMBLED.
- WIRE RANGE: 26 AWG SOLID THRU 30 AWG SOLID AND 28 AWG STRANDED RIBBON CABLE.
- FLAT CABLE SHALL BE FURNISHED BY CUSTOMER.
- MATING FACE CONSISTS OF TWO ROWS OF TERMINALS ON .085 CENTERS. TERMINATING SIDE CONSISTS OF TERMINALS ON .100 CENTERS FOR AN EFFECTIVE .050 TERMINATION.
- PANEL THICKNESS RANGE:
METRIC HARDWARE KIT - INSIDE MOUNTING: .093 MAX.
OUTSIDE MOUNTING: .125 MAX.
STANDARD HARDWARE KIT - INSIDE MOUNTING: .062 MAX.
OUTSIDE MOUNTING: .125 MAX.
- EMI SHIELD SHIPPED LOOSE.
- FOR MORE INFORMATION REFER TO AMP PRODUCT SPECIFICATION 108-6076 & APPLICATION SPEC 114-6030.

DIM D	DIM C	DIM B	DIM A	DESCRIPTION
.620	.310	.149	1.575	REAR PANEL MOUNTING
.640	.320	.126	1.488	FRONT PANEL MOUNTING

THIS DRAWING IS A CONTROLLED DOCUMENT.		DWN Z. REAM 19/MAR/07	Tyco Electronics Corporation Harrisburg, PA 17105-3608	
DIMENSIONS: INCHES		CHK W. MILLHIMES 19/MAR/07	NAME	
TOLERANCES UNLESS OTHERWISE SPECIFIED:		APVD W. MILLHIMES 19/MAR/07	PRODUCT SPEC	
0 PLC ± -		APPLICATION SPEC		
1 PLC ± -		SIZE A2		
2 PLC ± -		CAGE CODE 00779		
3 PLC ± .005		DRAWING NO C=554349		
4 PLC ± -		RESTRICTED TO -		
ANGLES ± -		SCALE 2:1		
FINISH		SHEET 1 of 1		
MATERIAL (2)		REV J		
CUSTOMER DRAWING				

554349

A