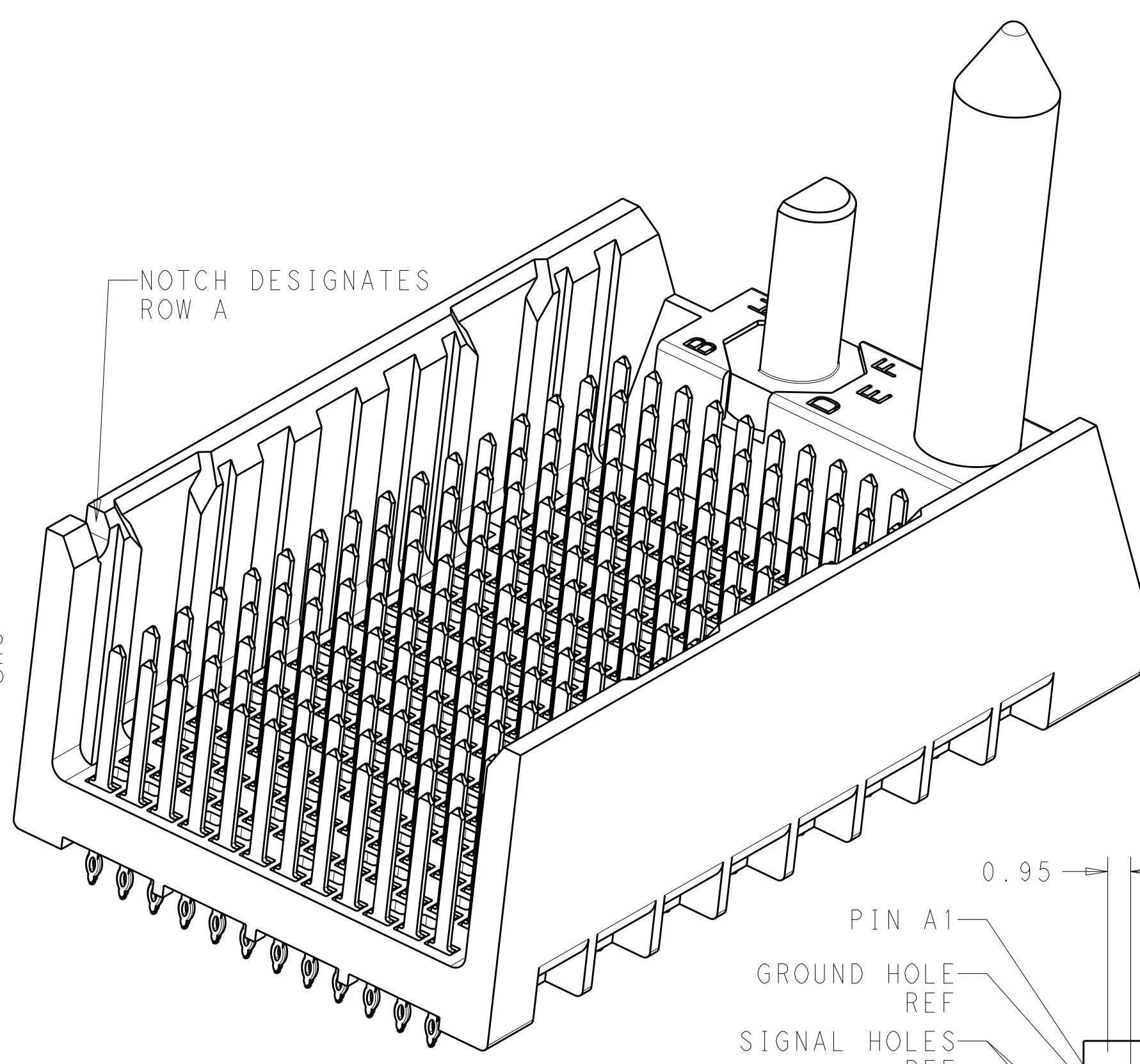
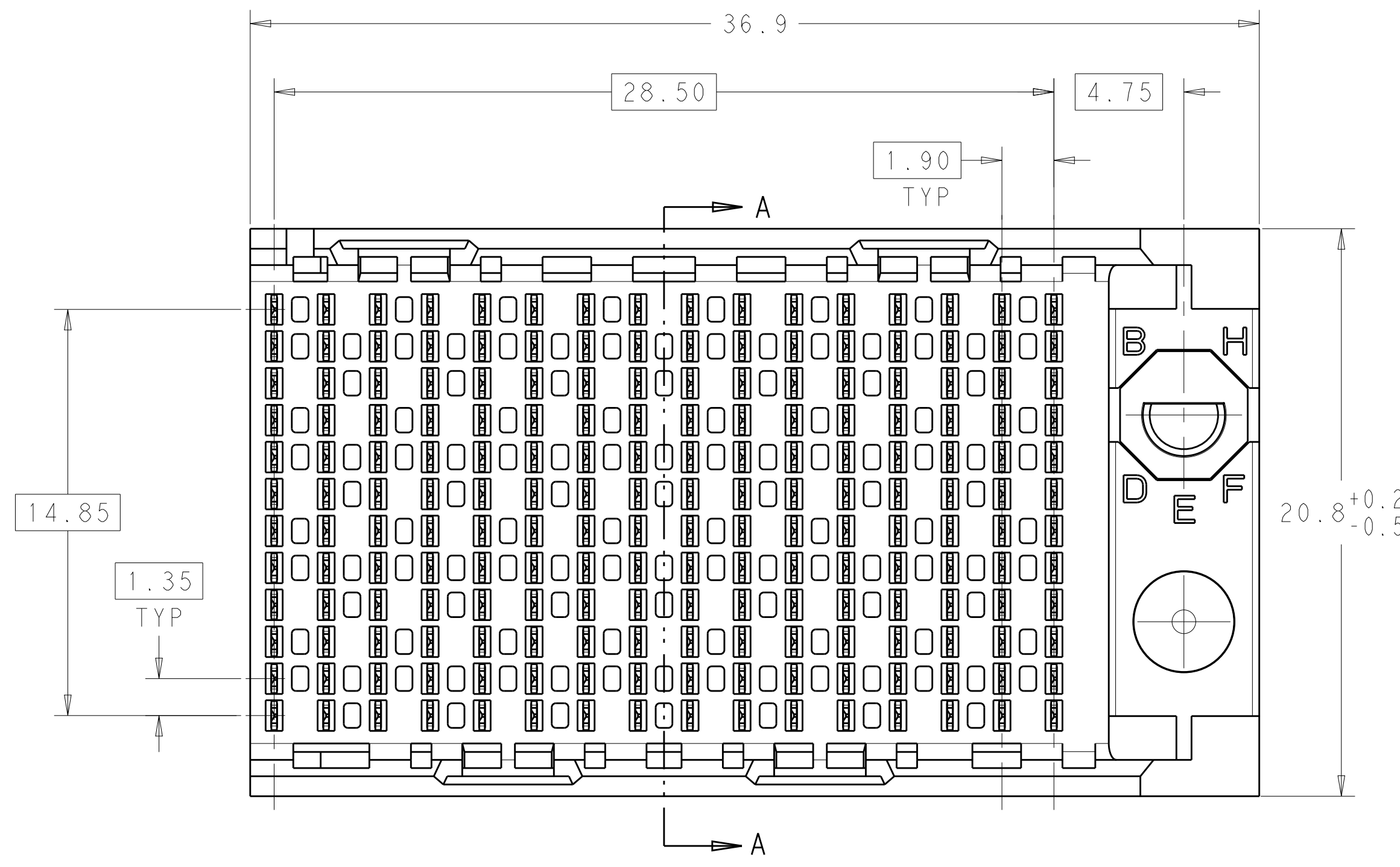
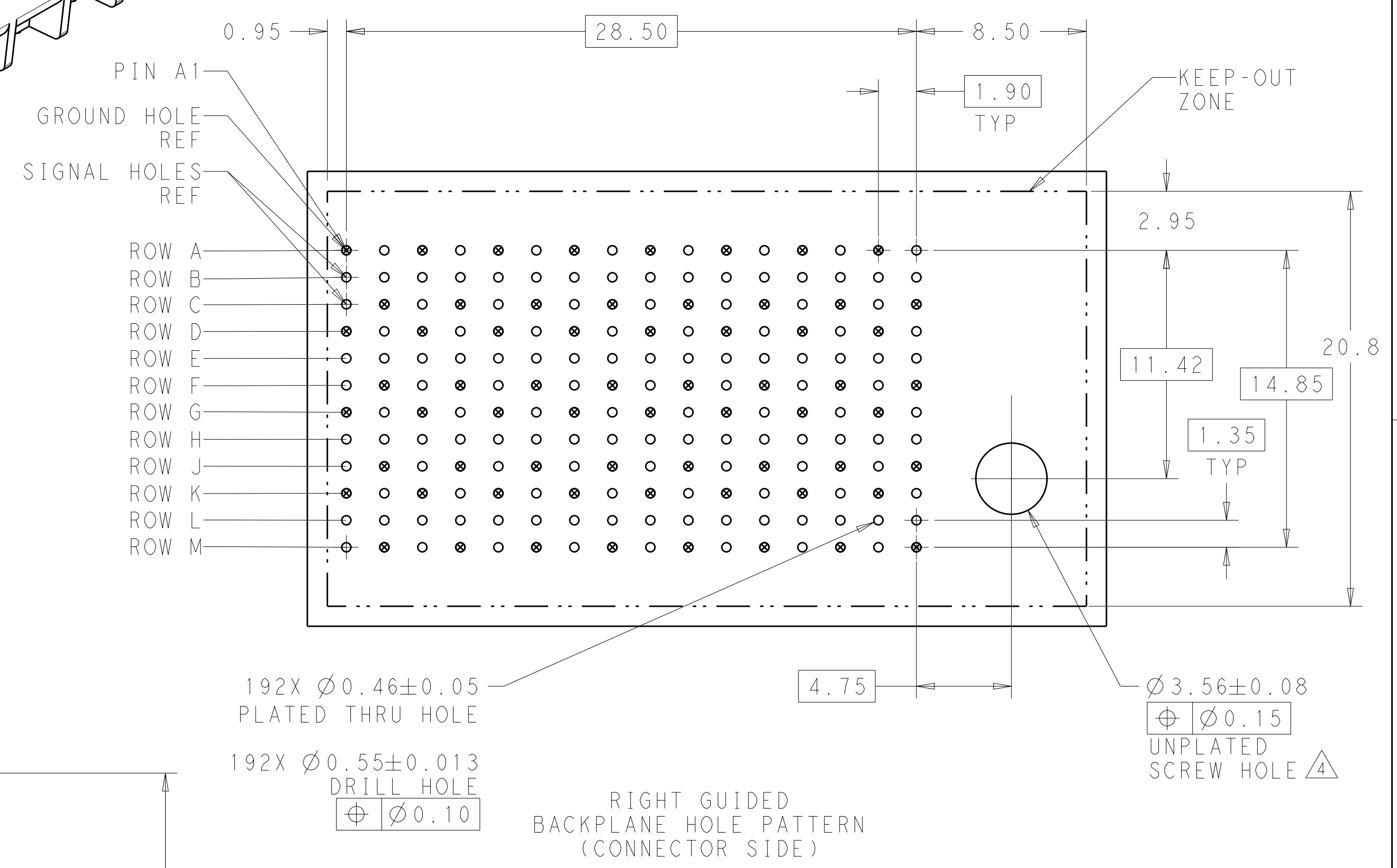


LOC	DIST	REVISIONS			
P	LTN	DESCRIPTION	DATE	OWN	APVD
A		REVISED PER ECO-15-001494	05FEB2015	AP	DD

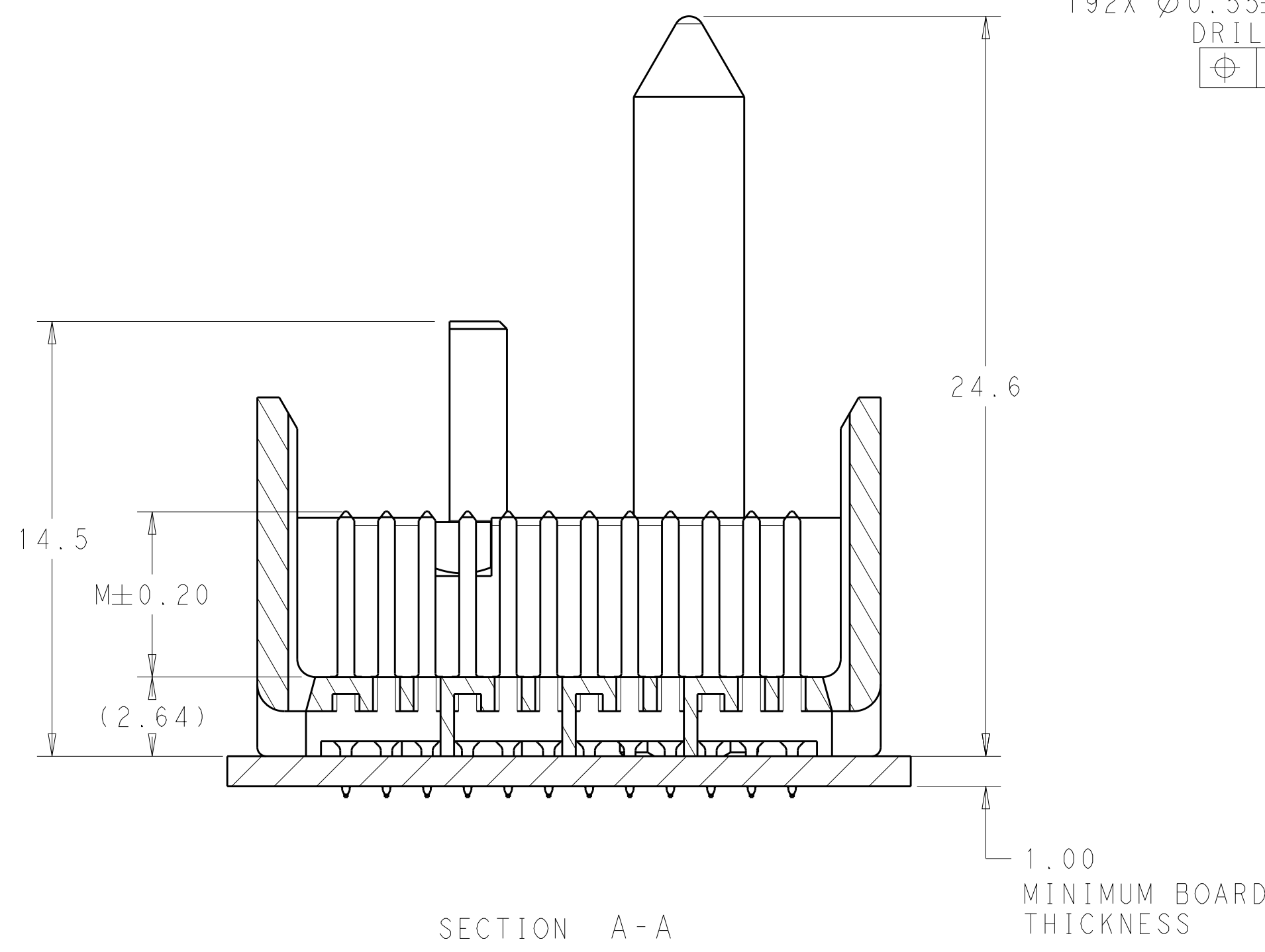
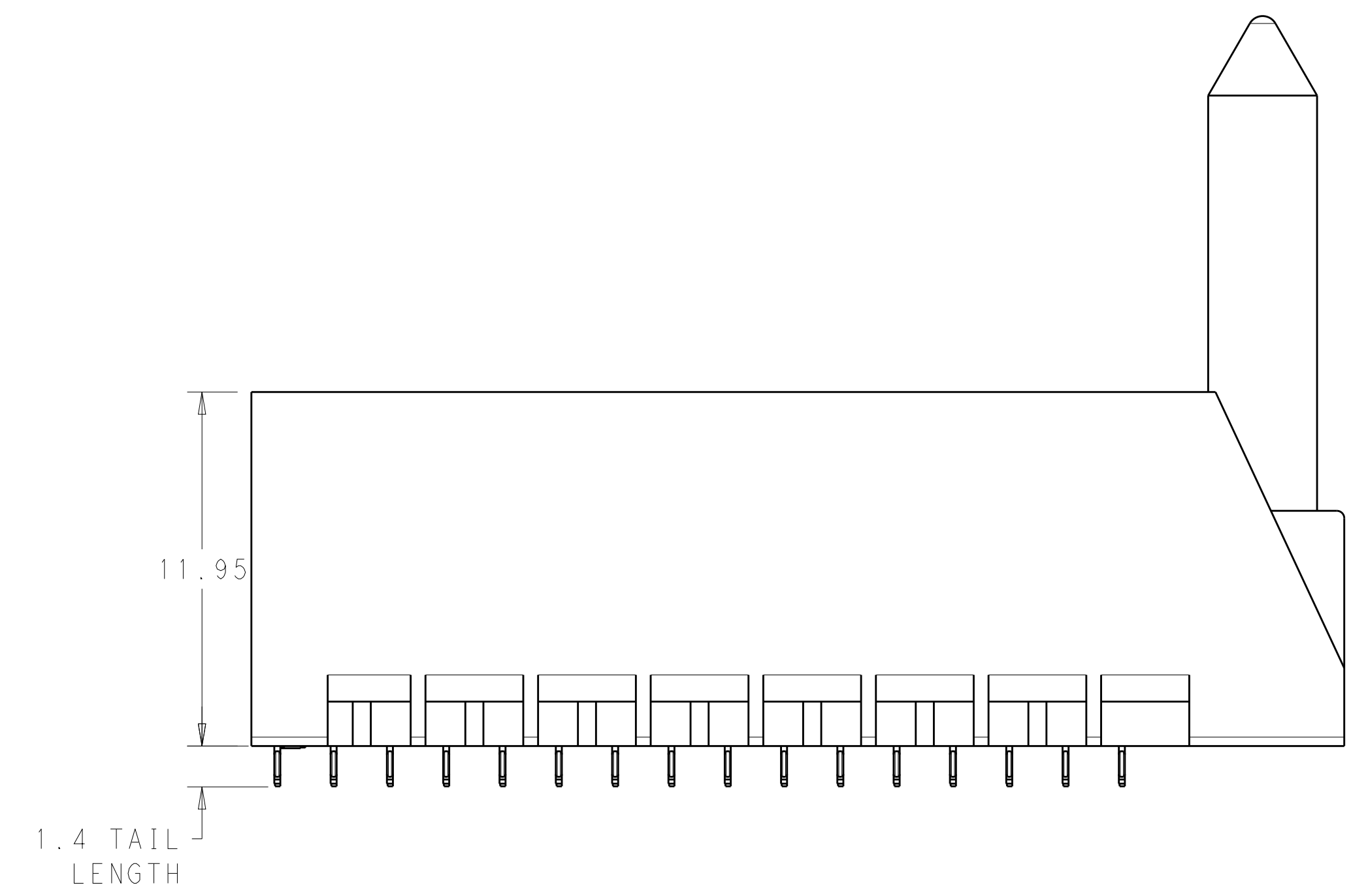


- ⚠ MATERIAL:  
HOUSING: LCP, GLASS FILLED, UL94V-0.  
TERMINALS: HIGH PERFORMANCE COPPER ALLOY.
- ⚠ FINISH:  
30μ" MIN GOLD IN CONTACT AREA. SELECTIVE TIN ON PCB TAILS, NICKEL OVERALL.
- 3. SCREWS PACKAGED IN END OF PACKAGING TUBE.
- ⚠ FOR GROUNDED GUIDE PIN USE  $\varnothing 3.56 \pm 0.08$  PTH,  $\varnothing 3.66$  DRILL, AND  $\varnothing 6.5$  PAD.
- 5. KEYING PIN SHOWN IN POSITION A, SEE KEYING CHART ON SHEET 2 FOR OTHER POSITIONS.



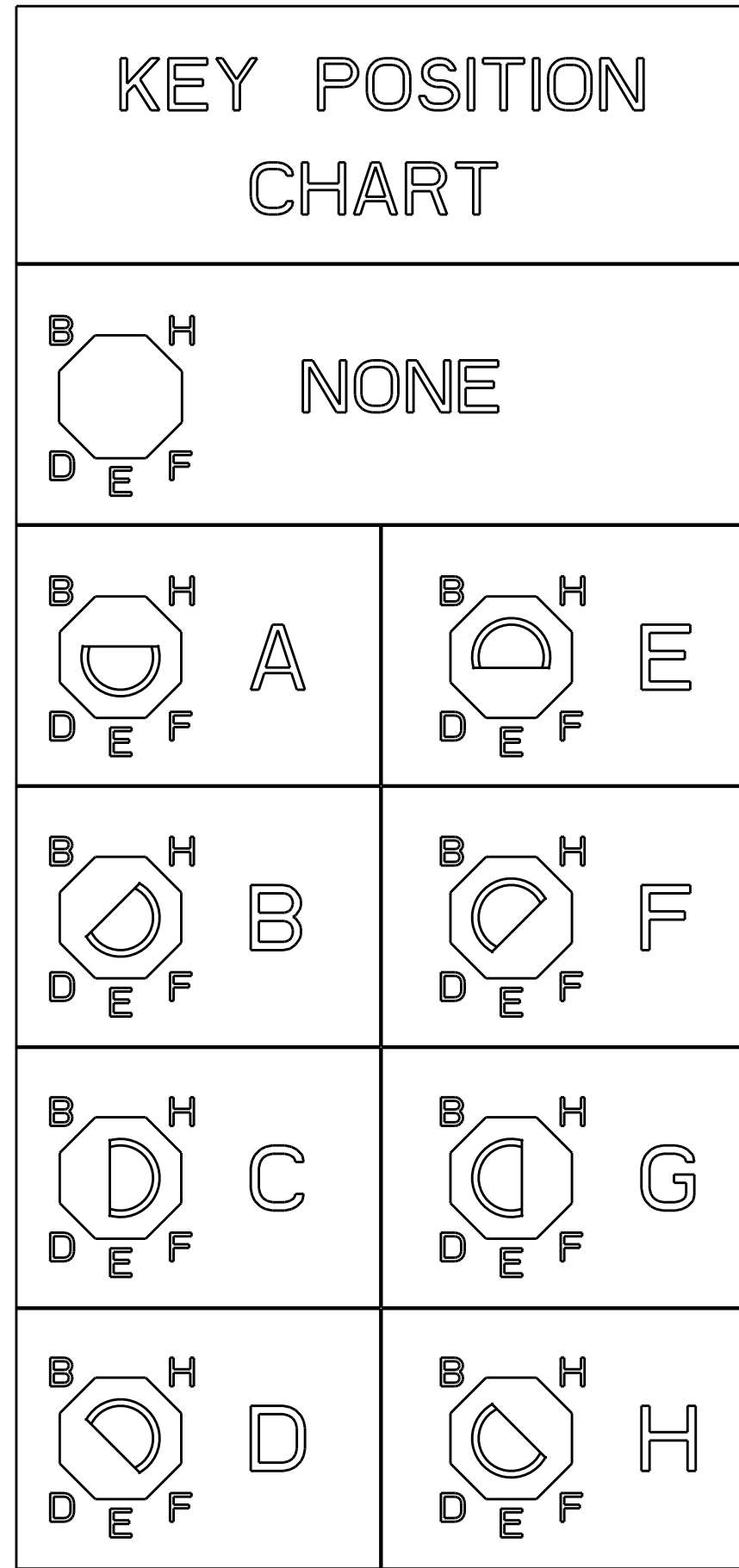
192X  $\varnothing 0.46 \pm 0.05$  PLATED THRU HOLE  
 192X  $\varnothing 0.55 \pm 0.013$  DRILL HOLE  $\varnothing 0.10$   
 $\varnothing 3.56 \pm 0.08$  UNPLATED SCREW HOLE ⚠

RIGHT GUIDED BACKPLANE HOLE PATTERN (CONNECTOR SIDE)



THIS DRAWING IS A CONTROLLED DOCUMENT.		OWN: KIRAN HOLLAL 11JAN2013	TE Connectivity
DIMENSIONS: mm		CHK: D. DIXON 11JAN2013	
TOLERANCES UNLESS OTHERWISE SPECIFIED:		APVD: D. DIXON 11JAN2013	NAME: IMPACT, 4 PAIR, 16 COLUMN, HEADER RIGHT GUIDED, OPEN END WALL SIGNAL MODULE, 0.46 PTH
0 PLC ± 1 PLC ±0.25 2 PLC ±0.13 3 PLC ± 4 PLC ± ANGLES ±		PRODUCT SPEC	
MATERIAL: SEE TABLE		APPLICATION SPEC	SIZE: CAGE CODE DRAWING NO. RESTRICTED TO
FINISH: SEE TABLE		WEIGHT	A100779C=2007828
		Customer Drawing	SCALE: 6:1 SHEET 1 OF 2 REV A

LOC		DIST		REVISIONS			
AD	00	P	LTN	DESCRIPTION	DATE	DWN	APVD
-	-	-	-	SEE SHEET 1	-	-	-



	H	5.5	8-2007828-3
	H	4.9	8-2007828-2
	H	4.5	8-2007828-1
	G	5.5	7-2007828-3
	G	4.9	7-2007828-2
	G	4.5	7-2007828-1
	F	5.5	6-2007828-3
	F	4.9	6-2007828-2
	F	4.5	6-2007828-1
	E	5.5	5-2007828-3
	E	4.9	5-2007828-2
	E	4.5	5-2007828-1
	D	5.5	4-2007828-3
	D	4.9	4-2007828-2
	D	4.5	4-2007828-1
	C	5.5	3-2007828-3
	C	4.9	3-2007828-2
	C	4.5	3-2007828-1
	B	5.5	2-2007828-3
	B	4.9	2-2007828-2
	B	4.5	2-2007828-1
	A	5.5	1-2007828-3
	A	4.9	1-2007828-2
	A	4.5	1-2007828-1
	-	5.5	2007828-3
	-	4.9	2007828-2
	-	4.5	2007828-1
FINISH	KEY POSITION	DIM M	PART NUMBER

REFER TO WWW.TE.COM  
FOR PRODUCT AVAILABILITY

THIS DRAWING IS A CONTROLLED DOCUMENT.		DWN: KIRAN HOLAL 11JAN2013	<b>TE</b> Connectivity
DIMENSIONS: mm		CHK: D. DIXON 11JAN2013	
TOLERANCES UNLESS OTHERWISE SPECIFIED:		APVD: D. DIXON 11JAN2013	NAME: IMPACT, 4 PAIR, 16 COLUMN, HEADER RIGHT GUIDED, OPEN END WALL SIGNAL MODULE, 0.46 PTH
0 PLC ±0.25 1 PLC ±0.13 2 PLC ±0.13 3 PLC ±0.13 4 PLC ±0.13 ANGLES ±0.13 FINISH SEE TABLE		PRODUCT SPEC: -	
MATERIAL: -		APPLICATION SPEC: -	RESTRICTED TO: -
WEIGHT: -		SIZE: A100779C=2007828	SCALE: 5:1 SHEET 2 OF 2 REV A
Customer Drawing			