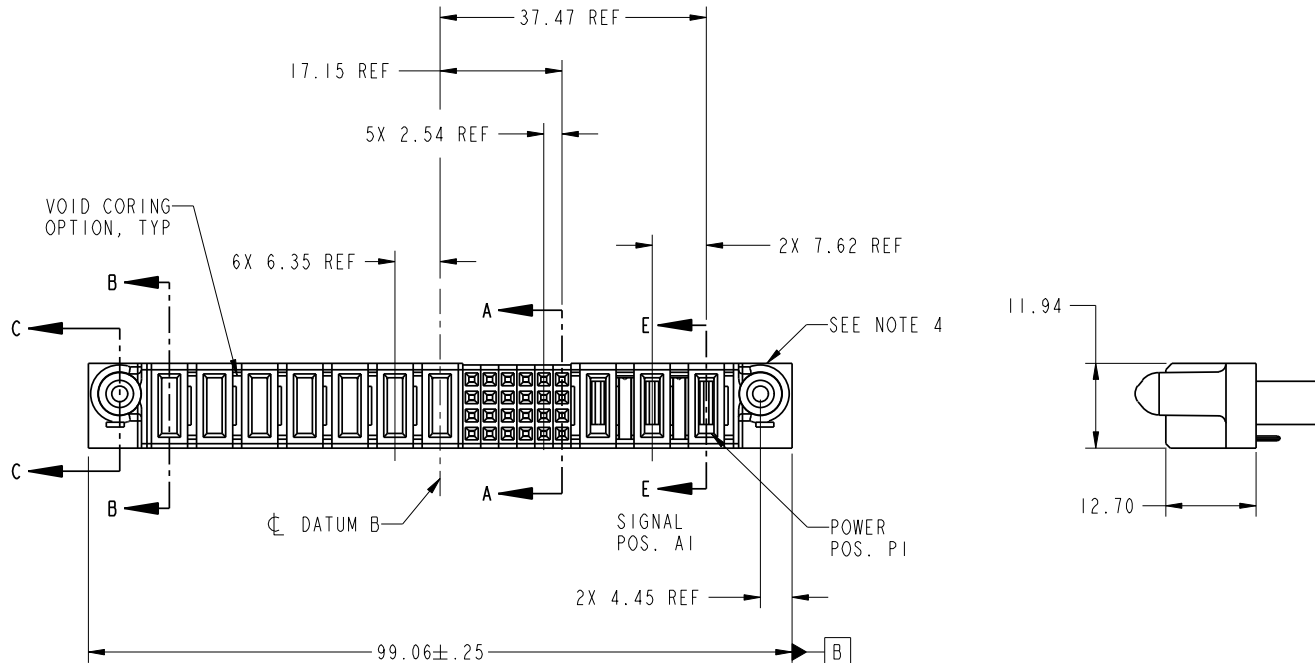


Tous droits strictement reserves. Reproduction ou communication a des tiers interdite sous quelque forme que ce soit sans autorisation écrite du propriétaire. Propriete de c FCI. Droits de reproduction FCI.



All rights strictly reserved. Reproduction or issue to third parties in any form whatever is not permitted without written authority from the proprietor. Property of FCI. Copyright FCI.

PRODUCT NO.	ROWS	POWER						SIGNAL					POWER			E1			
		E2	P10	P9	P8	P7	P6	P5	P4	6	5	4	3	2	1		P3	P2	P1
51940-231-- NOTE: 3	D C A		PD	PD	PD	PD	PD	PA	PA	E	E	E	E	E	E	PG	PH	PH	



CODE	DIM "M" MATING LENGTH	CONTACT TYPE
E	[N/A]	SIGNAL
PD	[2.34]	POWER
PH	[2.34]	POWER
PG	[1.07]	POWER
PA	[1.07]	POWER

mat'l code				SEE NOTES		tolerances unless otherwise specified		CUSTOMER	
lir	ecn no.	dr	date	linear	0.X ± 0.3	COPY		FCI www.fciconnect.com	
A	DG07-0282	RYUAN	07/06/07		0.XX ± 0.13	projection		title 3ACP + 24S + 7P VERTICAL STB RECEPT	
				angles	0.XXX ± 0.051			product family PwrBlade code 213	
				dr	0° ± 2°	MM		size	
				enrg	RYAN YUAN 06/25/07	scale 1:1		dwg no 51940-231	
				chr	RYAN YUAN 06/25/07			sheet 1 of 4	
				appd	GARY HSIEH 06/25/07				
				appd	JOSEPH HSIA 06/25/07				
sheet index	revision	A	A	A	A				
	sheet	1	2	3	4				



www.fciconnect.com

product family PwrBlade code 213

size dwg no 51940-231

sheet 1 of 4

cage code 22526

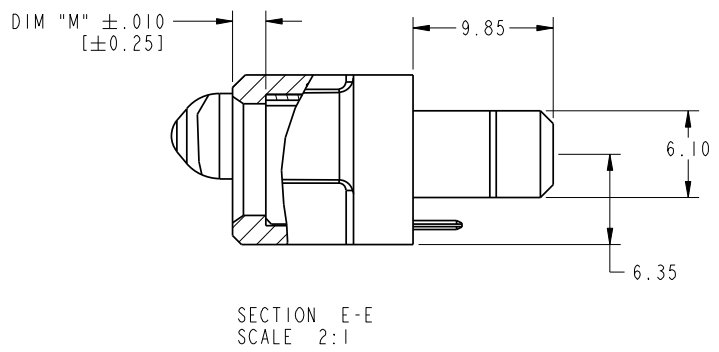
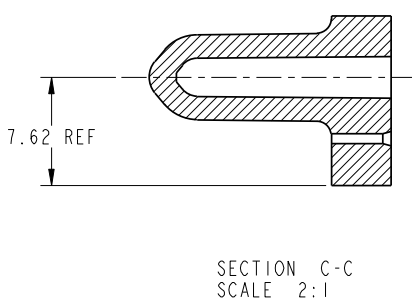
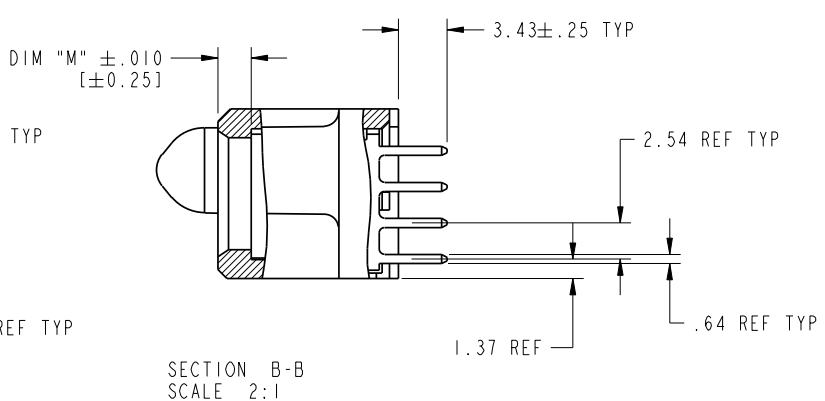
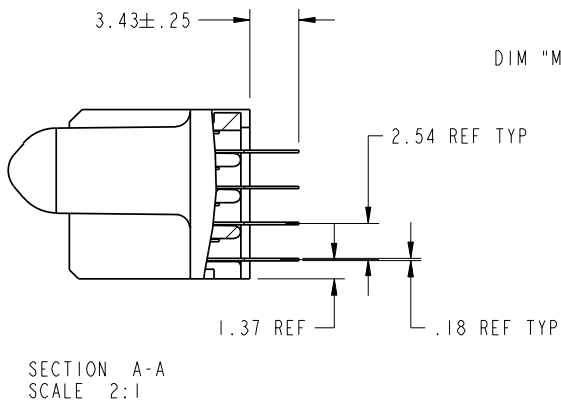
Pro/E

Tous droits strictement reserves. Reproduction ou communication a des tiers interdite sous quelque forme que ce soit sans autorisation ecrite du proprietaire. Propriete de c FCI. Droits de reproduction FCI.



All rights strictly reserved. Reproduction or issue to third parties in any form whatever is not permitted without written authority from the proprietor. Property of FCI. Copyright FCI.

PRODUCT NUMBER
51940-231...
NOTE: 3



mat'l code				tolerances unless otherwise specified		CUSTOMER		FCI	
lfr	ecn no.	dr	date	linear	0.X ± 0.3	COPY		www.fciconnect.com	
A				angles	0.XX ± 0.13	projection		title	
				dr	0.XXX ± 0.051	MM		3ACP + 24S + 7P VERTICAL STB RECEPT	
				enr	0° ± 2°	scale		product family PwrBlade code	
				chr	RYAN YUAN 06/25/07	1:1		size 213	
				appd	RYAN YUAN 06/25/07			dwg no	
					GARY HSIEH 06/25/07			51940-231	
					JOSEPH HSIA 06/25/07			sheet	
sheet index	revision sheet							2 of 4	

cage code 22526

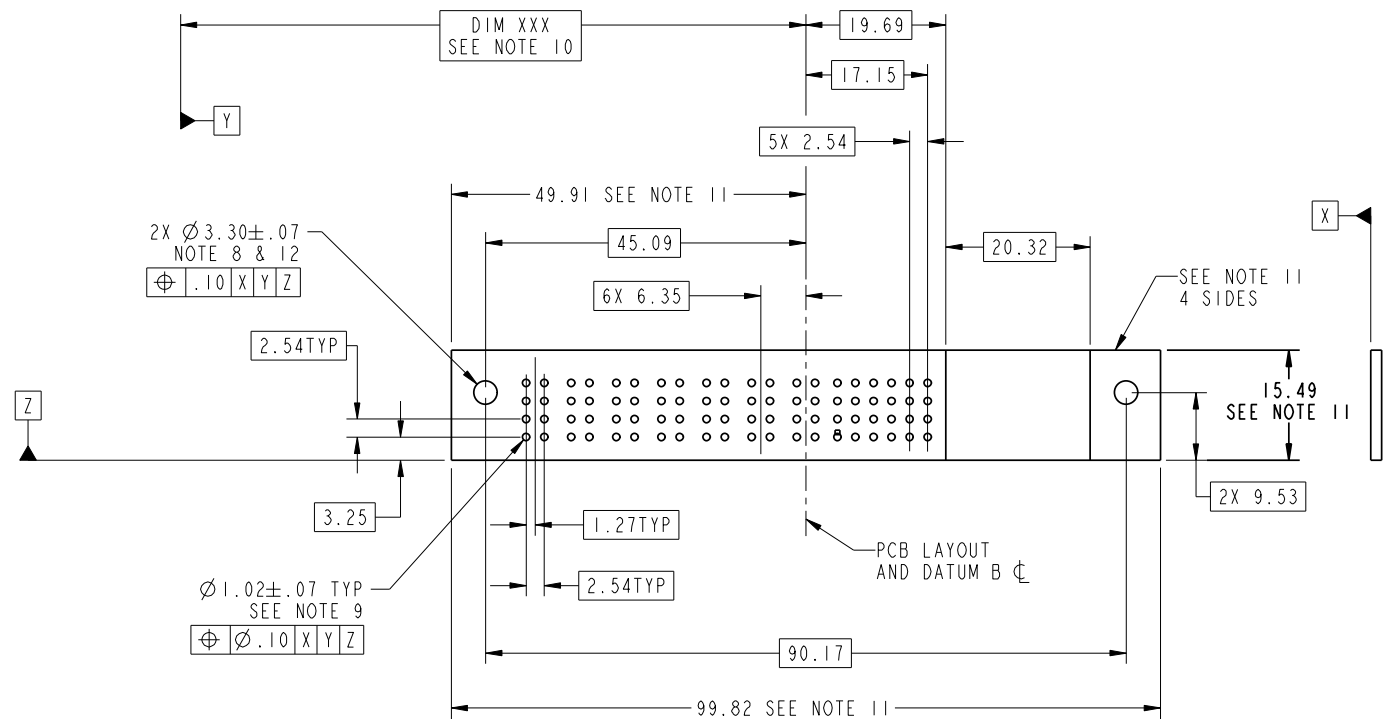
Pro/E

Tous droits strictement reserves. Reproduction ou communication a des tiers interdite sous quelque forme que ce soit sans autorisation écrite du propriétaire. Propriete de c FCI. Droits de reproduction FCI.



All rights strictly reserved. Reproduction or issue to third parties in any form whatever is not permitted without written authority from the proprietor. Property of FCI. Copyright FCI.

PRODUCT NUMBER
51940-231...
NOTE: 3



mat'l code				tolerances unless otherwise specified		CUSTOMER		FCI	
lir	ecr no.	dr	date	linear	0.X ±0.3	COPY		www.fciconnect.com	
A					0.XX ±0.13	projection		title	
				angles	0.XXX ±0.051			3ACP + 24S + 7P VERTICAL STB RECEPT	
				dr	RYAN YUAN 06/25/07	MM		product family	PwrBlade
				enr	RYAN YUAN 06/25/07	scale		size	code
				chr	GARY HSIEH 06/25/07	1:1		dwg no	213
				appd	JOSEPH HSIA 06/25/07			51940-231	sheet
sheet index	revision sheet								3 of 4

cage code 22526

Pro/E

Tous droits strictement reserves. Reproduction ou communication a des tiers interdite sous quelque forme que ce soit sans autorisation ecrite du proprietaire. Propriete de c FCI. Droits de reproduction FCI.



All rights strictly reserved. Reproduction or issue to third parties in any form whatever is not permitted without written authority from the proprietor. Property of FCI. Copyright FCI.

1 | 2

3 |

4

PRODUCT NUMBER

51940-231__
NOTE: 3

NOTES:

1. DIMENSIONS AND TOLERANCES ARE IN ACCORDANCE WITH ASME Y14.5M, 1994 UNLESS OTHERWISE SPECIFIED.

CONNECTOR NOTES:

- 2 HOUSING MATERIAL: UL 94 V-0 GLASS FILLED
HIGH-TEMP THERMOPLASTIC
POWER CONTACT MATERIAL: COPPER ALLOY
SIGNAL PIN MATERIAL: COPPER ALLOY
- 3. PLATING SPEC.
51940-231, 51940-231LF PLATING SPEC. WAS SHOWN IN THE PRINT OF 10064183.
- 4 MANUFACTURER'S NAME, P/N, AND DATE CODE TO APPEAR ON THIS SURFACE.
- 5. PRODUCT SPECIFICATION GS-12-149.
APPLICATION SPECIFICATION BUS-20-067.
- 6. PACKAGED IN TRAYS.

PCB NOTES:

- 7. ALL HOLE DIAMETERS ARE FINISHED HOLE SIZE.
- 8 MOUNTING HOLES, WHERE APPLICABLE, ARE UNPLATED.
- 9 $\varnothing 1.151 \pm 0.025$ DRILLED HOLES PLATED WITH
0.008 MIN SnPb OR Sn OVER 0.03
TO 0.08 Cu PLATING TO ACHIEVE
 $\varnothing 1.02 \pm 0.07$ HOLE.
- 10 "DIM XXX" TO BE DETERMINED BY THE CUSTOMER.
- 11 CONNECTOR KEEP-OUT ZONE.
- 12 RECOMMENDED RETENTION TO PCB
 $\varnothing .130 [3.30]$ THRU HOLE FOR #5 SOCKET HEAD CAP SCREW MAX. HEAD .205 [5.21]
RECOMMENDED SCREW LENGTH .472 [11.99] + PCB THICKNESS.
RECOMMENDED SCREW SEATING TO PCB TORQUE: 2-5 lbf-in (2300-5760 gf-cm).

A

A

B

B

mat'l code				tolerances unless otherwise specified		CUSTOMER		FCI	
lfr	ecn no.	dr	date	linear	0.X ± 0.3	COPY		www.fciconnect.com	
A				linear	0.XX ± 0.13	projection		title	
				angles	0.XXX ± 0.051			3ACP + 24S + 7P VERTICAL STB RECEIPT	
				dr	RYAN YUAN 06/25/07			product family PwrBlade code	
				engr	RYAN YUAN 06/25/07	scale		size dwg no	
				chr	GARY HSIEH 06/25/07	1:1		A 51940-231	
				appd	JOSEPH HSIA 06/25/07			sheet 213	
sheet index		revision sheet						sheet 4 of 4	

1 | 2

Pro/E

3 |

cage code 22526

4