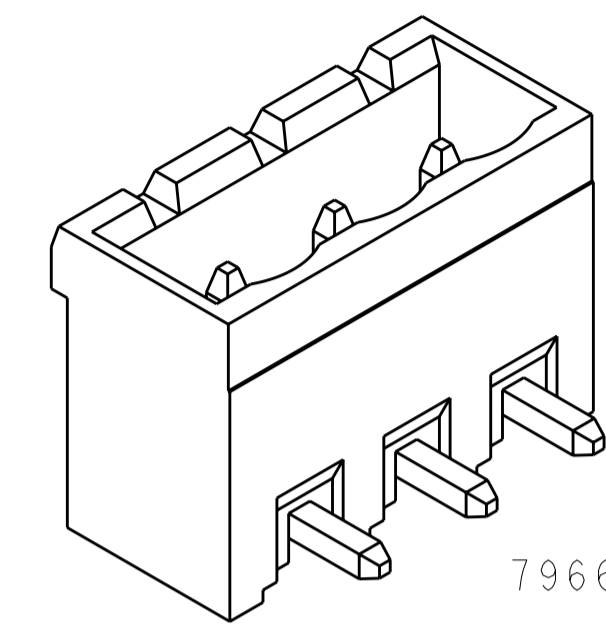
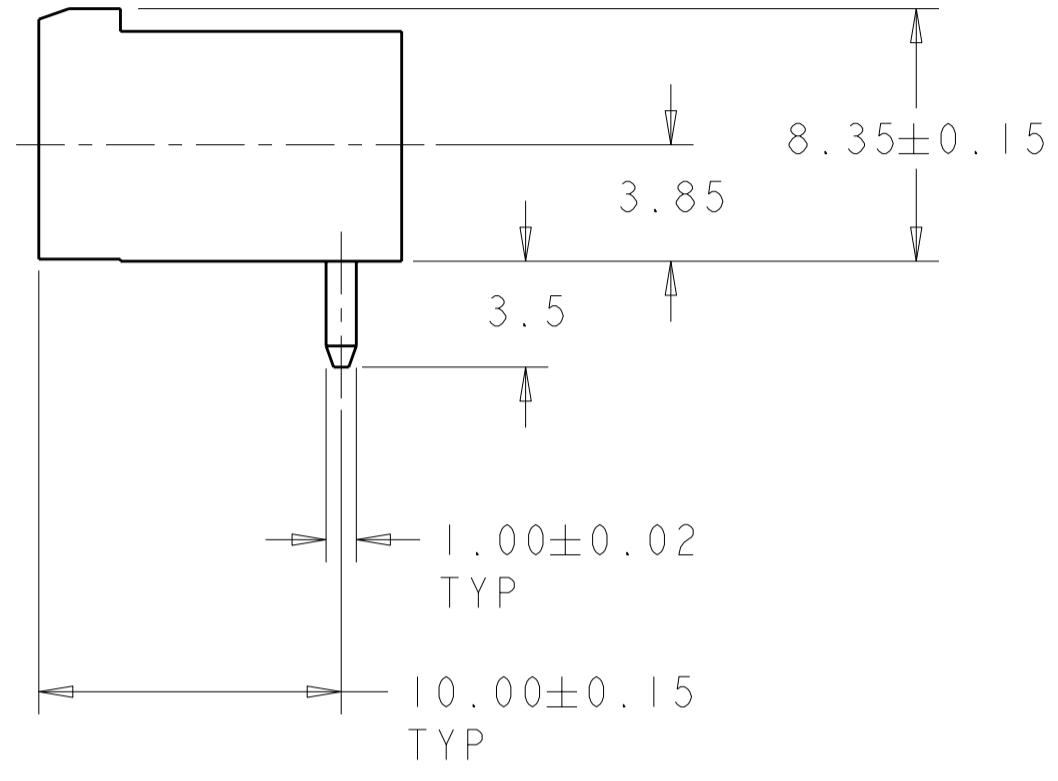
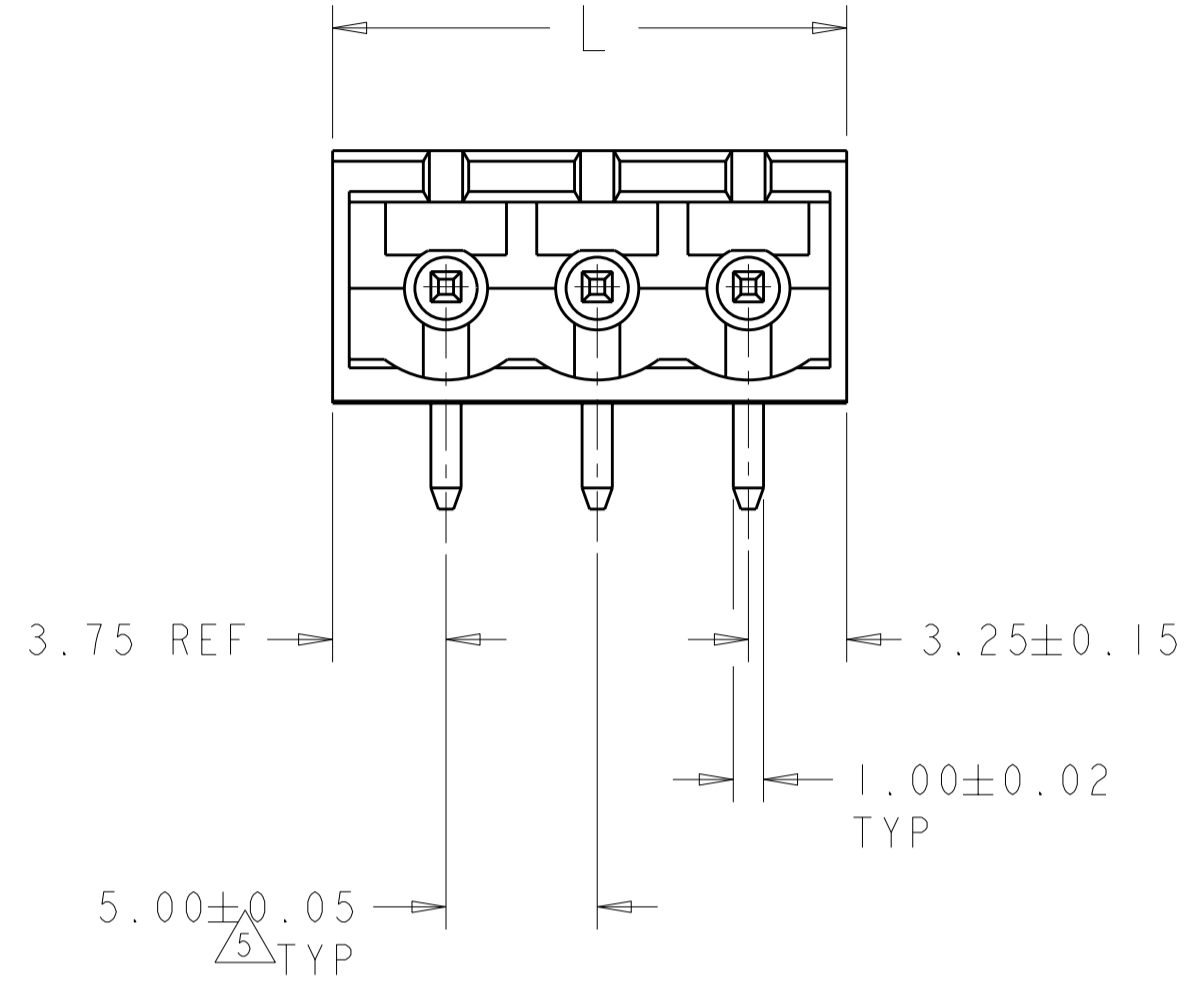
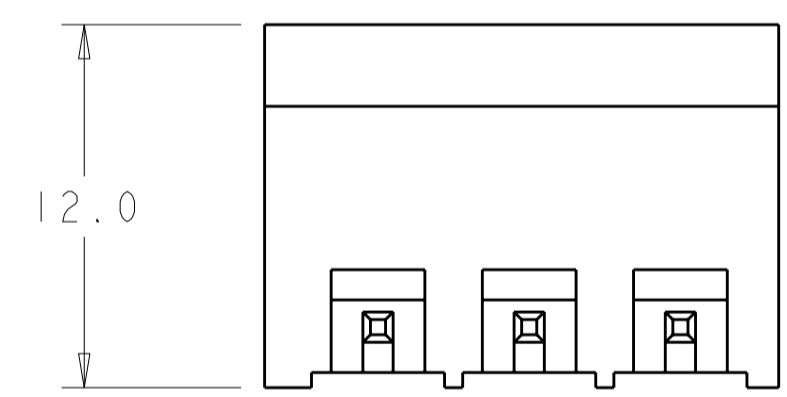


THIS DRAWING IS UNPUBLISHED. RELEASED FOR PUBLICATION 20
 © COPYRIGHT 20 BY - ALL RIGHTS RESERVED.

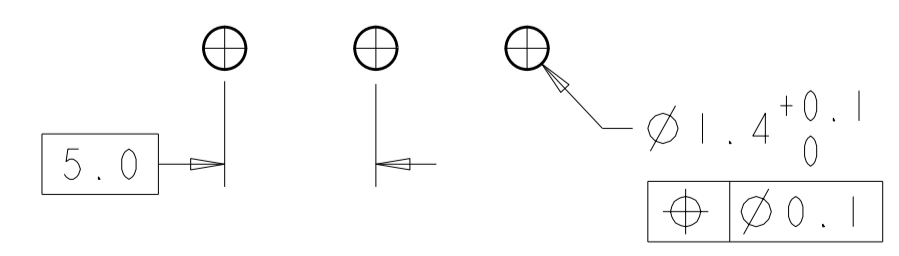
LOC	DIST	REVISIONS			
P	LTR	DESCRIPTION	DATE	DWN	APVD
FT	0	A3	REVISED PER ECO-12-007711	25APR2012	KH MS



PLATING	THICKNESS	FINISH	LENGTH	POSN	PART NUMBER
PRELIMINARY	0.76 µm	GOLD	47.0	9	3-796645-2
PRELIMINARY	0.76 µm	GOLD	37.0	7	3-796645-1
PRELIMINARY	0.76 µm	GOLD	32.0	6	3-796645-0
PRELIMINARY	0.76 µm	GOLD	27.0	5	2-796645-9
PRELIMINARY	0.76 µm	GOLD	22.0	4	2-796645-8
PRELIMINARY	0.76 µm	GOLD	17.0	3	2-796645-7
PRELIMINARY	0.76 µm	GOLD	42.0	8	2-796645-6
TIN			127.0	25	2-796645-5
TIN			122.0	24	2-796645-4
TIN			117.0	23	2-796645-3
TIN			112.0	22	2-796645-2
TIN			107.0	21	2-796645-1
TIN			102.0	20	2-796645-0
TIN			97.5	19	1-796645-9
TIN			92.0	18	1-796645-8
TIN			87.0	17	1-796645-7
TIN			82.0	16	1-796645-6
TIN			77.0	15	1-796645-5
TIN			72.0	14	1-796645-4
TIN			67.0	13	1-796645-3
TIN			62.0	12	1-796645-2
TIN			57.0	11	1-796645-1
TIN			52.0	10	1-796645-0
TIN			47.0	9	796645-9
TIN			42.0	8	796645-8
TIN			37.0	7	796645-7
TIN			32.0	6	796645-6
TIN			27.0	5	796645-5
TIN			22.0	4	796645-4
TIN			17.0	3	796645-3
TIN			12.0	2	796645-2
CONTACT PLATING	DIM L	NO OF POSN	PART NUMBER		



- 1. MATERIALS AND FINISH:
HOUSING: PA 6-6, UL 94-V0, COLOR: BLACK.
TERMINAL: COPPER ALLOY, FINISH: SEE TABLE.
- 2. SUITABLE FOR 1,6-2, 4mm PC BOARD THICKNESS.
- 3. RECOGNIZED UNDER THE COMPONENT PROGRAM OF UNDERWRITERS LABORATORIES INC. FILE N° E60677.
- 4. IMQ CERTIFICATE WITH SURVEILLANCE IN CONFORMITY WITH IEC 998-1/998-2-1.
- 5. NOT CUMULATIVE TOLERANCE



RECOMMENDED PC BOARD LAYOUT

THIS DRAWING IS A CONTROLLED DOCUMENT.		DWN S. WELDON 19OCT2000	TE Connectivity	
DIMENSIONS: mm		CHK D. BIEVENOUR 19OCT2000		
TOLERANCES UNLESS OTHERWISE SPECIFIED:		APVD D. BIEVENOUR 19OCT2000	NAME	
0 PLC ±-		PRODUCT SPEC	TERMI-BLOK HEADER ASSEMBLY, 90 DEGREE, CLOSED ENDS, 5.00mm PITCH	
1 PLC ±0.2		APPLICATION SPEC	SIZE	CAGE CODE
2 PLC ±-		WEIGHT	A2	00779
3 PLC ±-		CUSTOMER DRAWING	DRAWING NO. 796645	
4 PLC ±-		SCALE	4:1	SHEET 1 OF 1
ANGLES ±-		REV	A3	
FINISH				