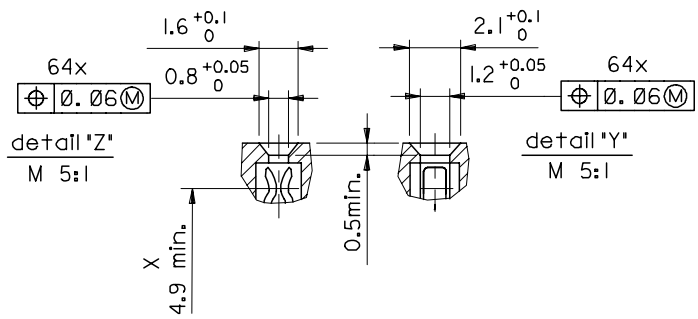
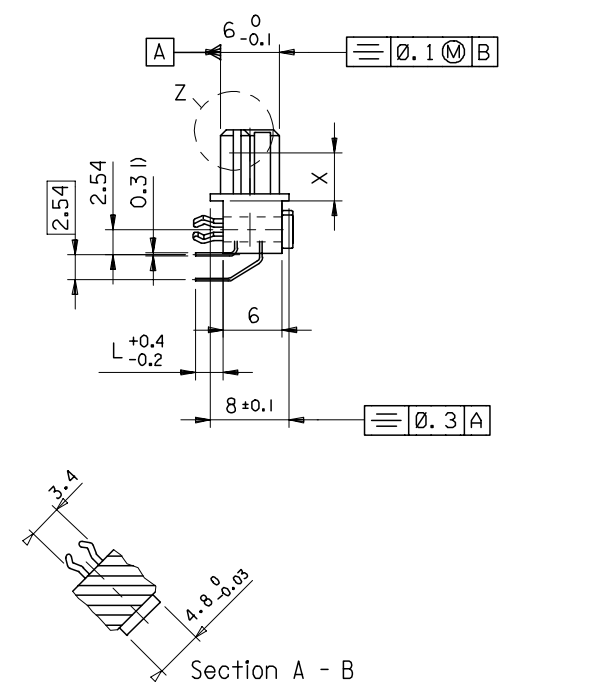
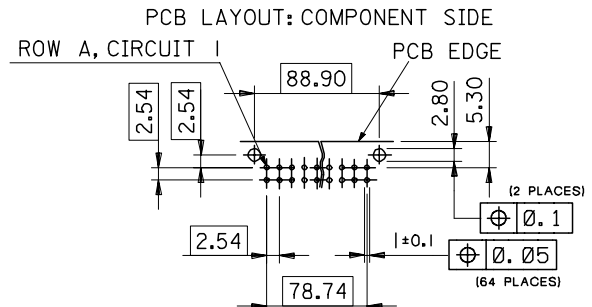


PART NO.
DWG. NO.



FIRST ANGLE PROJECTION		REVISE ONLY ON CAD SYSTEM		SH.	REV.
UNLESS OTHERWISE SPECIFIED TOLERANCES: ANGULAR $\pm 2^\circ$ INCH METRIC	3 PLACE \pm	INCH	SIGN	CAD/CAM PROJECT NAME 85050000 s11	
	2 PLACE \pm	METRIC	SIGN	THIS DRAWING CONTAINS INFORMATION THAT IS PROPRIETARY TO MOLEX INC. & SHOULD NOT BE USED WITHOUT WRITTEN PERMISSION	
	1 PLACE \pm		SIGN	TITLE 64 pos. female connector DIN 41612 style Q + clip Dimensions	
DRAFT WHERE APPLICABLE MUST REMAIN WITHIN DIMENSIONS			APP'D BY JB	SHEET NO. DATE 1 OF 1 96/10/22	
DESIGN DIMENSION <input checked="" type="checkbox"/> MM <input type="checkbox"/> IN.			SCALE 2:1	MOLEX EUROPE	
EQUIVALENT DIMENSION <input type="checkbox"/> MM <input type="checkbox"/> IN.				PART NO. DWG NO. SEE CHART SDA-85050-0001	
<small>IF TWO DIMENSIONS ARE SHOWN THE UPPER IS THE DESIGN DIMENSION, LOWER IS SECONDARY</small>					

VIEW ON MATING SIDE

C	C	C	C	C	C	C	C	C	C	C	C	C	C	C	C	C	C	C	C	C	C	C	C	C	C	C	C	C	C	C	C	C	C	C	C	C	C	C	C	C	
B																																									
A	A	A	A	A	A	A	A	A	A	A	A	A	A	A	A	A	A	A	A	A	A	A	A	A	A	A	A	A	A	A	A	A	A	A	A	A	A	A	A	A	
	32	31	30	29	28	27	26	25	24	23	22	21	20	19	18	17	16	15	14	13	12	11	10	9	8	7	6	5	4	3	2	1									

A = 32 CONTACTS L=2,8
C = 32 CONTACTS L=2,8

S = 64 TOTAL NUMBER OF CONTACTS

Marking	Standard
Performance level	G2/0 = Contact area level2 / Termination tin
Flux proof	no
Fixing clip	yes
Dimensions	SDA-85052-0001 sht.1
TechnicalData	PS-85052-0001

C	G2/0	c1-32
A	G2/0	a1-32
Contact symbol	Perform. level	Contact position number

first release see ECN No. 2154	REVISIONS FOR PREVIOUS REVISIONS SEE MRI LIST	UNLESS OTHERWISE SPECIFIED TOLERANCES: ANGULAR ±2° INCH METRIC		DRWG BY Ca	SIGN	REVISIONS ONLY ON CAD SYSTEM		SH.	REV.	
		3 PLACE ± . ±		CHK'D BY KN	SIGN	CAD/CAM PROJECT NAME s8505201 s01		THIS DRAWING CONTAINS INFORMATION THAT IS PROPRIETARY TO MOLEX INC. & SHOULD NOT BE USED WITHOUT WRITTEN PERMISSION		
A	LTR	DRAFT WHERE APPLICABLE MUST REMAIN WITHIN DIMENSIONS		APP'D BY	SIGN	TITLE 96 pos. female connector acc. DIN 41612 style R contacts arrangement				
		DESIGN DIMENSION	<input type="checkbox"/> MM <input type="checkbox"/> IN.	SCALE		MOLEX* MOLEX EUROPE		SHEET NO. 1 OF 1	DATE 96/06/14	
		EQUIVALENT DIMENSION	<input type="checkbox"/> MM <input type="checkbox"/> IN.			PART NO. 85052-0103	DWG NO. SDA-85052-0103	SIZE A		
IF TWO DIMENSIONS ARE SHOWN THE UPPER IS THE DESIGN DIMENSION, LOWER IS SECONDARY										