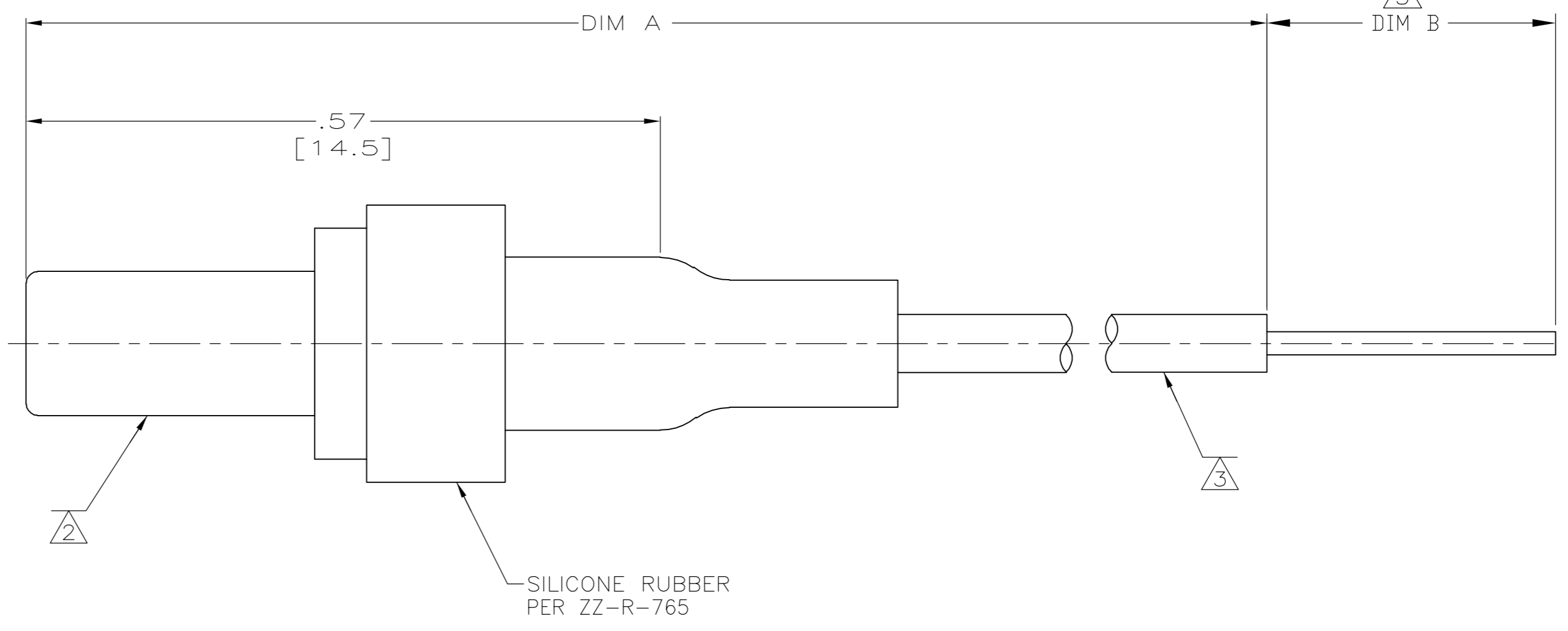
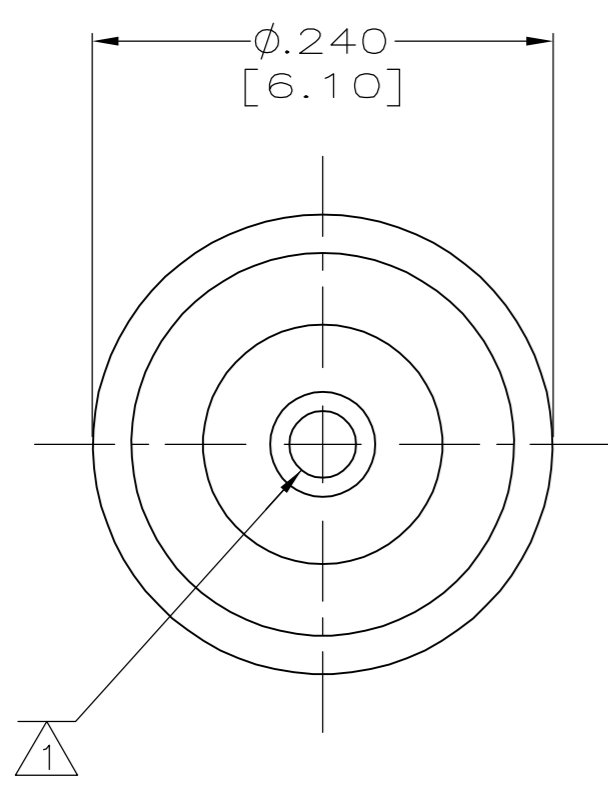


THIS DRAWING IS UNPUBLISHED. RELEASED FOR PUBLICATION  
 © COPYRIGHT BY TYCO ELECTRONICS CORPORATION. ALL RIGHTS RESERVED.

LOC	DIST	REVISIONS					
DF	SO	P	LTR	DESCRIPTION	DATE	DWN	APVD
		F		REV PER ECO 06-025126	11-16-06	CT	DE



- △ SIZE 22 SOCKET CONTACT:  
 MAT'L: COPPER ALLOY PER MIL-C-39029  
 FINISH: GOLD PLATED .000050 [0.00127] MIN THK.  
 PER ASTM-B-488 OVER NICKEL PER QQ-N-290.
- △ PLUG HOUSING:  
 MAT'L: GLASS FILLED POLYETHERIMIDE RESIN.
- △ CONDUCTOR:  
 24 (19/36) AWG SILVER PLATED COPPER  
 INSULATION: SILICONE COATED FEP;  $\phi 0.060 \pm 0.005$  [1.52 ± 0.13].
- 4. OPERATING VOLTAGE: 12 KVDC AT 70,000 FT. ALTITUDE.  
 TEST VOLTAGE: 18 KVDC AT 70,000 FT. ALTITUDE.
- △ PIGTAIL IS SOLDER DIPPED ON -1 & -2 ONLY.

---	9.25 ± .25 [234.95 ± 6.35]	448660-3
.25 ± .06 [6.35 ± 1.52]	72.00 ± 1.00 [1828.8 ± 25.4]	448660-2
.25 ± .06 [6.35 ± 1.52]	7.00 ± .25 [177.8 ± 6.4]	448660-1
DIM B	DIM A	PART NUMBER

THIS DRAWING IS A CONTROLLED DOCUMENT.		DWN C.C.THOMAS 8-17-98	Tyco Electronics Corporation Harrisburg, PA 17105-3608	
DIMENSIONS: INCHES [mm]		CHK D.EABY 8-17-98		
TOLERANCES UNLESS OTHERWISE SPECIFIED:		APVD D.EABY 8-17-98		
0 PLC ± - 1 PLC ± - 2 PLC ± .01 [0.3] 3 PLC ± .005 [0.13] 4 PLC ± - ANGLES ± -		NAME		
MATERIAL SEE CALLOUTS		FINISH SEE CALLOUTS	PLUG ASSY, MICRO-MINIATURE, 240 SERIES LGH	
CUSTOMER DRAWING		WEIGHT -	SIZE A2	CAGE CODE 00779
		SCALE 10:1	DRAWING NO C=448660	RESTRICTED TO -
		SHEET 1 of 1	REV F	

CUSTOMER DRAWING