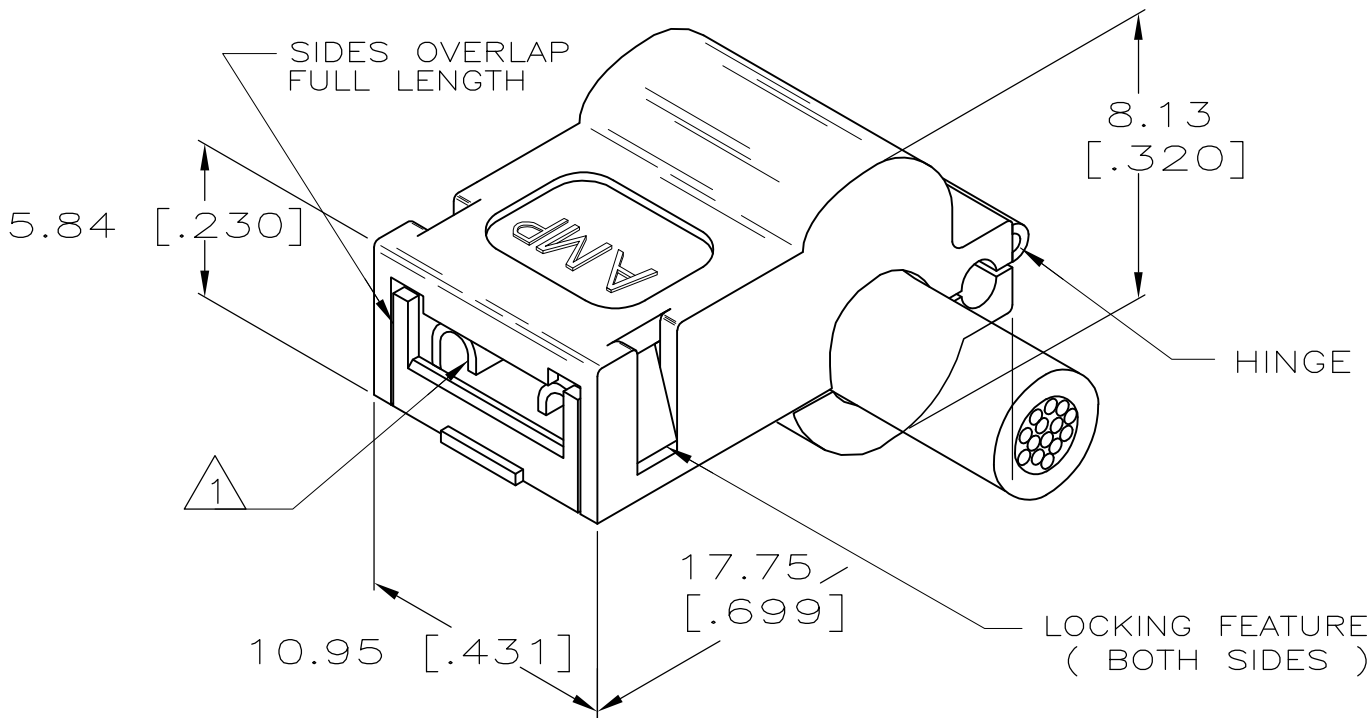
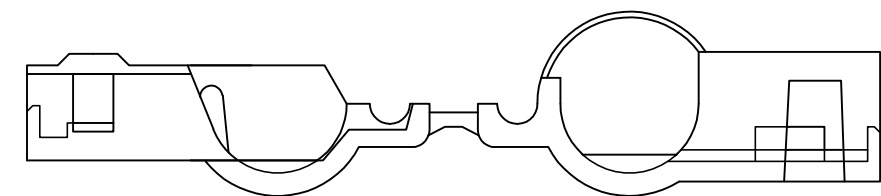
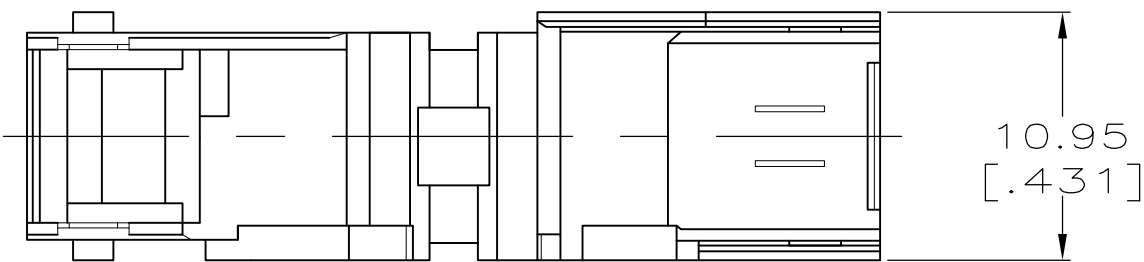
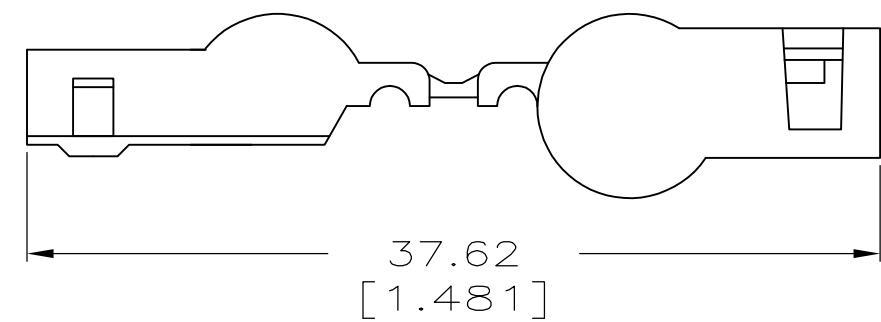


LOC	DIST	REVISIONS					
		P	LTR	DESCRIPTION	DATE	DWN	APVD
AF	50		G3	REV PER ECR 07-015235	27JUL07	JR	PD




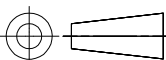
NOTES:

- 1 4.75 [.187] SERIES TAB-LOK FLAG FASTON RECEPTACLE. TERMINAL NUMBERS 42486, 42618, 42800, AND 60820.
- 2 SEE CP-29349 FOR RECOMMENDED TAB DETAILS.
- 3 CONTINUOUS STRIP ON REELS.
- 4 LOOSE PIECE (ONE POD).
- 5 GLOW WIRE APPROVED, CONTACT TYCO ELECTRONICS FOR ENGN SPECIFICATIONS, ALL WALL THICKNESSES ARE BETWEEN 0.4mm AND 3.0mm.
- 6 PRELIMINARY — NOT FOR PRODUCTION

<div>4</div> LOOSE PIECE	<div>5</div>	1-480487-4
<div>4</div> LOOSE PIECE	6/6 NYLON, VO	1-480487-3 <div>6</div>
<div>4</div> LOOSE PIECE	6/6 NYLON	1-480487-2
<div>3</div> STRIP	6/6 NYLON	1-480487-0
TYPE		MATERIAL
		PART NO.

OBSOLETE

THIS DRAWING IS A CONTROLLED DOCUMENT.		DWN	6/27/97		<div><div>Tyco Electronics</div><div>Tyco Electronics Corporation</div><div>Harrisburg, PA 17105-3608</div></div>	
		CHK	6/27/97			
		MS FEHER				
		APVD	6/27/97		NAME HOUSING, AMPIP, FASTON, TAB-LOK, 4.75 [.187] SERIES —	
		R BEAVER				
		PRODUCT SPEC				
		—				
		APPLICATION SPEC				
		—				
		WEIGHT		—		
		—				
		CUSTOMER DRAWING				

DIMENSIONS: mm [INCHES]		TOLERANCES UNLESS OTHERWISE SPECIFIED:	
		0 PLC	± —
		1 PLC	± —
		2 PLC	± 0.38 [.015]
		3 PLC	± —
		4 PLC	± —
		ANGLES	± —
MATERIAL SEE TABLE		FINISH NATURAL	

SIZE	CAGE CODE	DRAWING NO	RESTRICTED TO
A3	00779	C-480487	—
SCALE		SHEET	REV
3:1		1 OF 1	G3