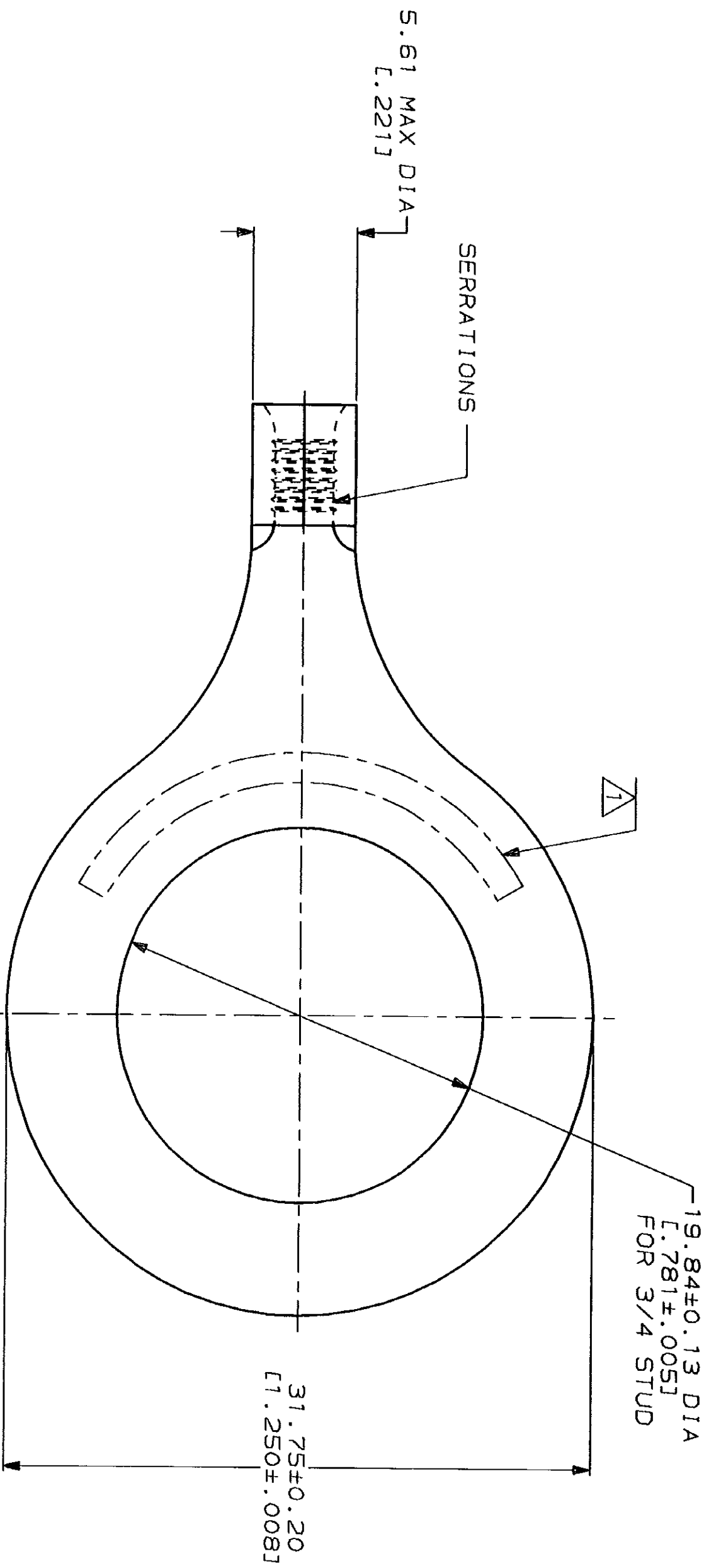
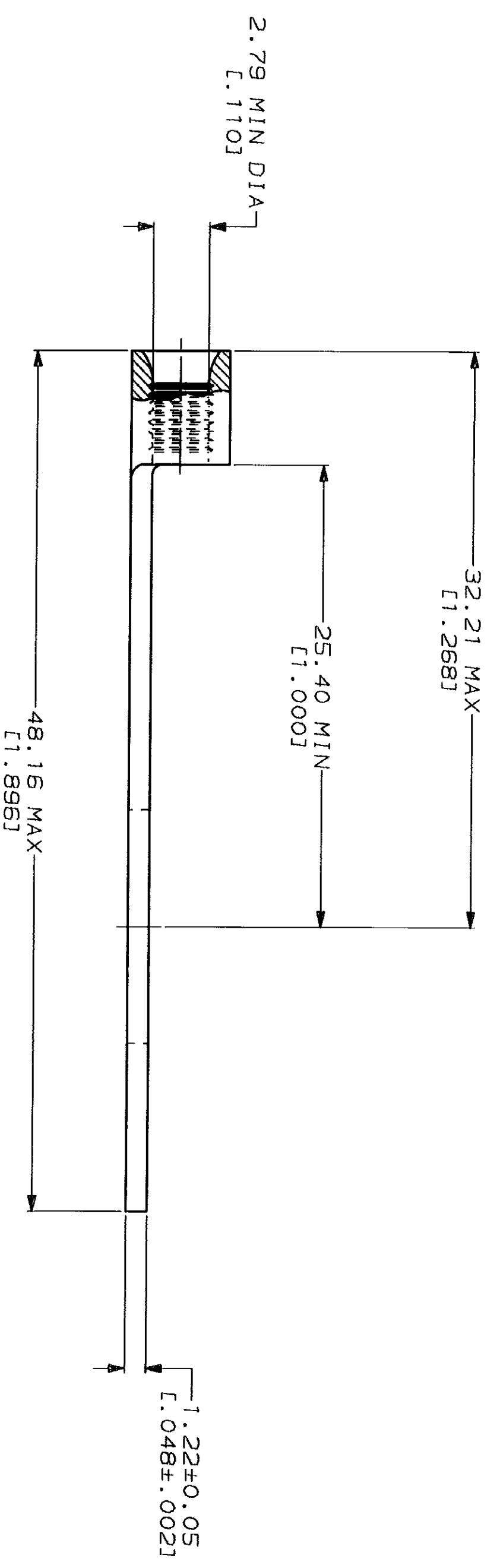


LOC	DIST	ZONE	LTR	DESCRIPTION	DATE	APPD
G	14	P	F	RELEASED PER 0720-0008-93	2-1-93	MB

METRIC
 DIMENSIONS LISTED IN mm [INCHES]



AMP WIRE RANGE 16-14HD AWG STRANDED	UL E13288 Listed
NOT CERTIFIED	MILITARY P/N AND CLASS
NOT CERTIFIED	NOT APPLICABLE



**AMP INCORPORATED
 CUSTOMER SERVICE SYSTEMS**

FOR ADDITIONAL
 PRODUCT INFORMATION OR
 COPIES OF DRAWINGS
 AND TECHNICAL DOCUMENTS
 FOR APPLICATION
 TOOLING INFORMATION
 FOR ORDER ENTRY

MAX RECOMMENDED OPERATING
 TEMPERATURE:
 170°C MAX

VOLTAGE RATING:
 NOT APPLICABLE

WIRE CROSS SECTIONAL AREA RANGE:
 1.04-2.62mm² [2,050-5,180] CIR MILS
 STRANDED

DO NOT SCALE PRINT.
 UNLESS SPECIFIED
 DIMENSIONS IN mm [INCHES]
 TOLERANCES ON:
 2 PLG DEC #
 3 PLG DEC #
 ANGLES

FINISH
 TIN PLATE
 0.00254 [1.000100] MIN
 THK PER MIL-T-10727

DR 2-1-93
 1A BRINKMAN

CHK 2-1-93
 DA PATTERSON

APPD 2-1-93
 DE MILLER

APPD 2-1-93
 JL NECKLEY

APPLICATION SPEC
 WEIGHT

AMP
 AMP Incorporated
 Harrisburg, PA 17105-3608

TERMINAL, RING TONGUE,
 HEAVY DUTY, BUDGET

SIZE
 CAGE CODE
 00779

DRAWING NO
 36201

SCALE
 4:1

36201
 PART NO

36201