

POLYPRO, TYPE 4X



INDUSTRY STANDARDS

Mounting brackets required to meet UL/CSA external mounting requirements.

UL 508A Listed; Type 4, 4X, 12, 13; File No. E61997
 cUL Listed per CSA C22.2 No 94; Type 4, 4X, 12, 13; File No. E61997
 Enclosure flammability evaluated per UL 508A
 Window flammability evaluated per UL 508A

NEMA/EEMAC Type 4, 4X, 12, 13
 CSA File No. 42186; Type 4, 4X, 12, 13 (solid covers only)
 IEC 60529, IP66

APPLICATION

POLYPRO polyester enclosures perform exceptionally well in applications where harsh chemicals, weather extremes and corrosive environments demand toughness from a lightweight enclosure. Providing excellent ultraviolet protection and a tight environmental seal, these versatile, feature-rich enclosures are also recyclable.

SPECIFICATIONS

- Non-glass-filled polyester material offers superior UV resistance; eliminates fiberbloom associated with fiberglass
- Provides excellent chemical resistance to a broad range of solvents, alkalis and acids
- Resists cracking and provides excellent impact resistance
- Lighter weight than fiberglass
- Recyclable
- Easy, dustless in-field modifications using standard tools
- Overlapping tongue-and-groove raised cover and gasket provide a secure Type 4X seal

- Removable snap-hinge cover allows for easy access to cover and body for modifications
- Molded layout grid on inside of body and solid covers assists with component mounting
- Molded-in embosses for rear panel mounting
- Optional cover screws included with all models
- Internal rail system and adjustable panel blocks allow for panel height adjustment and installation of multiple panels
- Scratch-resistant polycarbonate windows
- Standard models include body and cover, two mounting feet, two latch assemblies with optional cover screws and hardware (adjustable panel blocks and panels sold separately)

FINISH

Standard finish is RAL 7035 light-gray textured inside and out

ACCESSORIES

See also Accessories.
 Adjustable Panel Block Kit
 Panels for Junction Boxes
 HOL-SEALERS Non-Metallic Hole Seals
 Aluminum Swing-Out Panels
 Stainless Steel Latches (Padlockable)
 Hinge Retainers

MODIFICATION AND CUSTOMIZATION

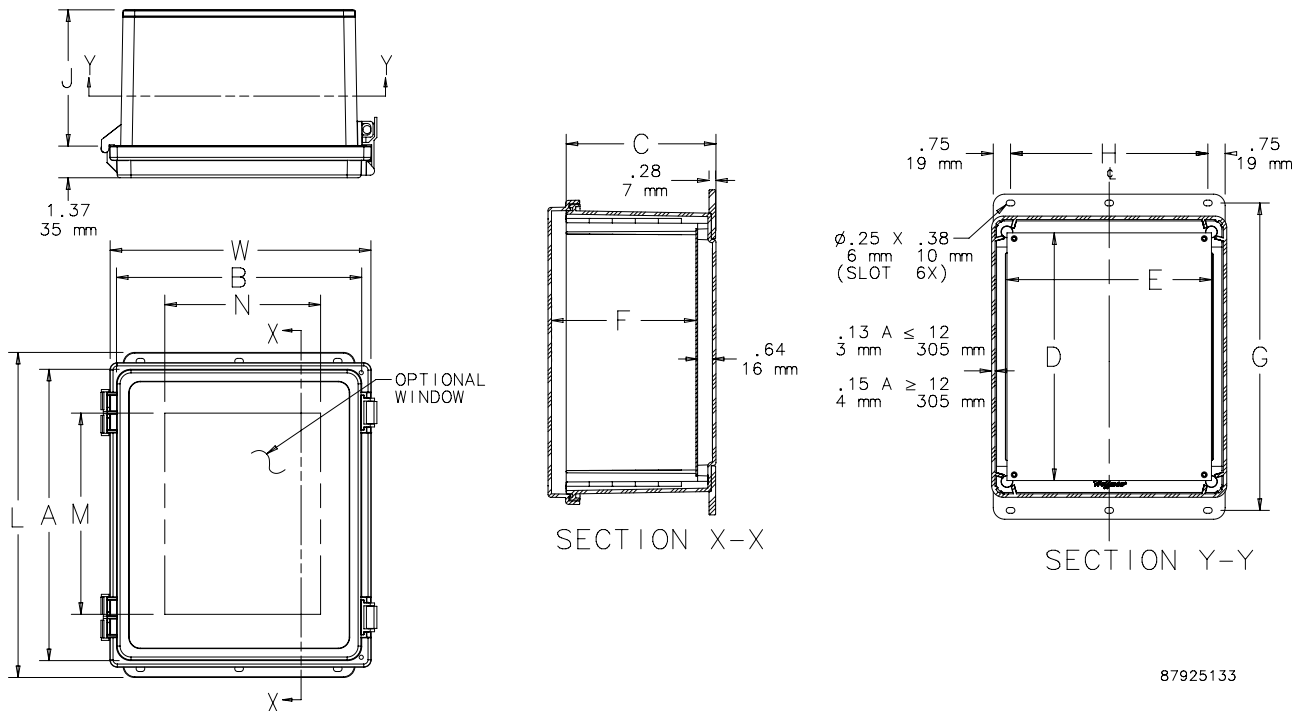
Hoffman excels at modifying and customizing products to your specifications. Contact your local Hoffman sales office or distributor for complete information.

BULLETIN: PCR

Standard Product

| Catalog Number | AxBxC in./mm | Cover Type | Steel Panel | Aluminum Panel | Panel Size D x E in./mm | F in./mm | G in./mm | H in./mm | J in./mm | L in./mm | M in./mm | N in./mm | W in./mm |
|----------------|--|------------|-------------|----------------|----------------------------|--------------|--------------|--------------|-------------|--------------|--------------|--------------|--------------|
| A644PHC | 6.12 x 4.12 x 4.38 155 x 105 x 111 | Solid | A6P4 | A6P4AL | 4.88 x 2.88 124 x 73 | 4.32 110 | 7.38 187 | 2.56 65 | 3.91 99 | 8.15 207 | — | — | 5.23 133 |
| A644PHCW | 6.12 x 4.12 x 4.38 155 x 105 x 111 | Window | A6P4 | A6P4AL | 4.88 x 2.88 124 x 73 | 4.32 110 | 7.38 187 | 2.56 65 | 3.91 99 | 8.15 207 | 4.25 108 | 2.25 57 | 5.23 133 |
| A664PHC | 6.12 x 6.12 x 4.38 155 x 155 x 111 | Solid | A6P6 | A6P6AL | 4.88 x 4.88 124 x 124 | 4.32 110 | 7.38 187 | 4.56 116 | 3.91 99 | 8.15 207 | — | — | 7.23 184 |
| A664PHCW | 6.12 x 6.12 x 4.38 155 x 155 x 111 | Window | A6P6 | A6P6AL | 4.88 x 4.88 124 x 124 | 4.32 110 | 7.38 187 | 4.56 116 | 3.91 99 | 8.15 207 | 4.25 108 | 4.25 108 | 7.23 184 |
| A864PHC | 8.12 x 6.12 x 4.38 206 x 155 x 111 | Solid | A8P6 | A8P6AL | 6.75 x 4.88 171 x 124 | 4.32 110 | 9.38 238 | 4.56 116 | 3.91 99 | 10.15 258 | — | — | 7.23 184 |
| A864PHCW | 8.12 x 6.12 x 4.38 206 x 155 x 111 | Window | A8P6 | A8P6AL | 6.75 x 4.88 171 x 124 | 4.32 110 | 9.38 238 | 4.56 116 | 3.91 99 | 10.15 258 | 6.25 159 | 4.25 108 | 7.23 184 |
| A884PHC | 8.12 x 8.12 x 4.38 206 x 206 x 111 | Solid | A8P8 | A8P8AL | 6.75 x 6.88 171 x 175 | 4.32 110 | 9.38 238 | 6.56 167 | 3.91 99 | 10.15 258 | — | — | 9.23 234 |
| A884PHCW | 8.12 x 8.12 x 4.38 206 x 206 x 111 | Window | A8P8 | A8P8AL | 6.75 x 6.88 171 x 175 | 4.32 110 | 9.38 238 | 6.56 167 | 3.91 99 | 10.15 258 | 6.25 159 | 6.25 159 | 9.23 234 |
| A1084PHC | 10.12 x 8.12 x 4.38 257 x 155 x 111 | Solid | A10P8 | A10P8AL | 8.75 x 6.88 222 x 175 | 4.32 110 | 11.38 289 | 6.56 167 | 3.91 99 | 12.15 309 | — | — | 9.23 234 |
| A1084PHCW | 10.12 x 8.12 x 4.38 257 x 155 x 111 | Window | A10P8 | A10P8AL | 8.75 x 6.88 222 x 175 | 4.32 110 | 11.38 289 | 6.56 167 | 3.91 99 | 12.15 309 | 8.25 210 | 6.25 159 | 9.23 234 |
| A10106PHC | 10.04 x 10.04 x 6.38 255 x 255 x 162 | Solid | A10P10 | A10P10AL | 8.75 x 8.88 222 x 226 | 6.32 161 | 11.31 287 | 8.56 217 | 5.91 150 | 12.08 307 | — | — | 11.23 285 |
| A10106PHCW | 10.04 x 10.04 x 6.38 255 x 255 x 162 | Window | A10P10 | A10P10AL | 8.75 x 8.88 222 x 226 | 6.32 161 | 11.31 287 | 8.56 217 | 5.91 150 | 12.08 307 | 8.25 210 | 8.25 210 | 11.23 285 |
| A12106PHC | 12.08 x 10.09 x 6.38 307 x 256 x 162 | Solid | A12P10 | A12P10AL | 10.75 x 8.88 273 x 226 | 6.32 161 | 13.34 339 | 8.56 217 | 5.91 150 | 14.08 358 | — | — | 11.23 285 |
| A12106PHCW | 12.08 x 10.09 x 6.38 307 x 256 x 162 | Window | A12P10 | A12P10AL | 10.75 x 8.88 273 x 226 | 6.32 161 | 13.34 339 | 8.56 217 | 5.91 150 | 14.08 358 | 10.25 260 | 8.25 210 | 11.23 285 |
| A14128PHC | 14.02 x 12.01 x 8.35 356 x 305 x 212 | Solid | A14P12 | A14P12AL | 12.75 x 10.88 324 x 276 | 8.27 210 | 15.27 388 | 10.56 268 | 7.91 201 | 16.04 407 | — | — | 13.32 338 |
| A14128PHCW | 14.02 x 12.01 x 8.35 356 x 305 x 212 | Window | A14P12 | A14P12AL | 12.75 x 10.88 324 x 276 | 8.27 210 | 15.27 388 | 10.56 268 | 7.91 201 | 16.04 407 | 12.25 311 | 10.25 260 | 13.32 338 |
| A16148PHC | 16.02 x 14.01 x 8.35 407 x 356 x 212 | Solid | A16P14 | A16P14AL | 14.75 x 12.88 375 x 327 | 8.27 210 | 17.27 439 | 12.56 319 | 7.91 201 | 18.04 458 | — | — | 15.32 389 |
| A16148PHCW | 16.02 x 14.01 x 8.35 407 x 356 x 212 | Window | A16P14 | A16P14AL | 14.75 x 12.88 375 x 327 | 8.27 210 | 17.27 439 | 12.56 319 | 7.91 201 | 18.04 458 | 14.25 362 | 12.25 311 | 15.32 389 |
| A181610PHC | 17.95 x 15.94 x 10.35 456 x 405 x 263 | Solid | A18P16 | A18P16AL | 16.75 x 14.88 425 x 378 | 10.27 261 | 19.20 488 | 14.56 370 | 9.91 252 | 19.97 507 | — | — | 17.32 440 |
| A181610PHCW | 17.95 x 15.94 x 10.35 456 x 405 x 263 | Window | A18P16 | A18P16AL | 16.75 x 14.88 425 x 378 | 10.27 261 | 19.20 488 | 14.56 370 | 9.91 252 | 19.97 507 | 16.25 413 | 14.25 362 | 17.32 440 |

Purchase panels separately. Panels are available in aluminum, mild steel, stainless steel, conductive and composite materials.



87925133

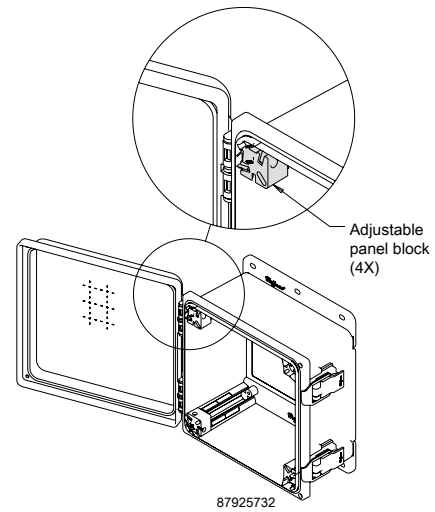
ADJUSTABLE PANEL BLOCK KIT

Panel blocks slide inside POLYPRO's internal rail system for panel height adjustment within top 5 in. of enclosure. Allows for installation of multiple panels.

BULLETIN: PCRY

| Catalog Number | Qty. |
|----------------|------|
| APNLBLK | 4 |

Includes Allen wrench

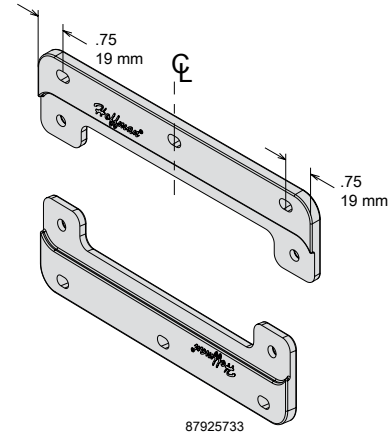


POLYESTER MOUNTING BRACKET KITS

Replacement POLYPRO mounting brackets are sold in sets of two and include hardware for mounting to enclosure. Included with standard POLYPRO models.

BULLETIN: PCRY

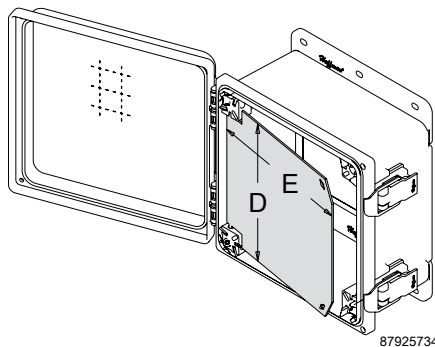
| Catalog Number | Description (in.) | Qty. |
|----------------|-------------------|------|
| APOLYFT4 | 4.00 | 2 |
| APOLYFT6 | 6.00 | 2 |
| APOLYFT8 | 8.00 | 2 |
| APOLYFT10 | 10.00 | 2 |
| APOLYFT12 | 12.00 | 2 |
| APOLYFT14 | 14.00 | 2 |
| APOLYFT16 | 16.00 | 2 |



ALUMINUM SWING-OUT PANELS

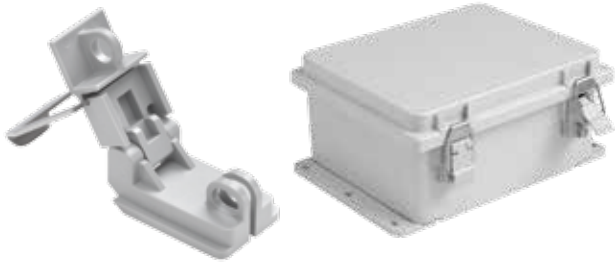
Includes four POLYPRO Adjustable Panel Blocks. No enclosure modification is required for installation.

BULLETIN: PCRY



| Catalog Number | D x E (in.) | D x E (mm) |
|----------------|---------------|------------|
| A64PSWPNL | 5.00 x 3.62 | 127 x 92 |
| A66PSWPNL | 5.00 x 5.62 | 127 x 143 |
| A86PSWPNL | 7.00 x 5.62 | 178 x 143 |
| A88PSWPNL | 7.00 x 7.62 | 178 x 194 |
| A108PSWPNL | 9.00 x 7.62 | 229 x 194 |
| A1010PSWPNL | 9.00 x 9.62 | 229 x 244 |
| A1210PSWPNL | 11.00 x 9.62 | 279 x 244 |
| A1412PSWPNL | 13.00 x 11.62 | 330 x 295 |
| A1614PSWPNL | 15.00 x 13.62 | 381 x 346 |
| A1816PSWPNL | 17.00 x 15.62 | 432 x 397 |

STAINLESS STEEL LATCHES (PADLOCKABLE)



Stainless Steel Latches can be retrofitted on all POLYPRO models with no modification or drilling required. Hinge/latch constructed of corrosion-resistant polyester with a Type 316L stainless steel bail.

Included with standard POLYPRO models.

BULLETIN: PCRY

| Catalog Number | Qty. |
|----------------|------|
| AQRLSS6 | 2 |

HINGE RETAINERS



Hinge Retainers can be field-installed without modification to POLYPRO hinges for applications where cover removal is not desired. Two retainers per enclosure is recommended. Kit includes ten hinge retainers.

BULLETIN: PCRY

| Catalog Number | Description | Pkg. Qty. |
|----------------|-------------------------|-----------|
| AHGCLP | POLYPRO Hinge Retainers | 10 |