

Customer Information Sheet

DRAWING No.: M50-360XX42

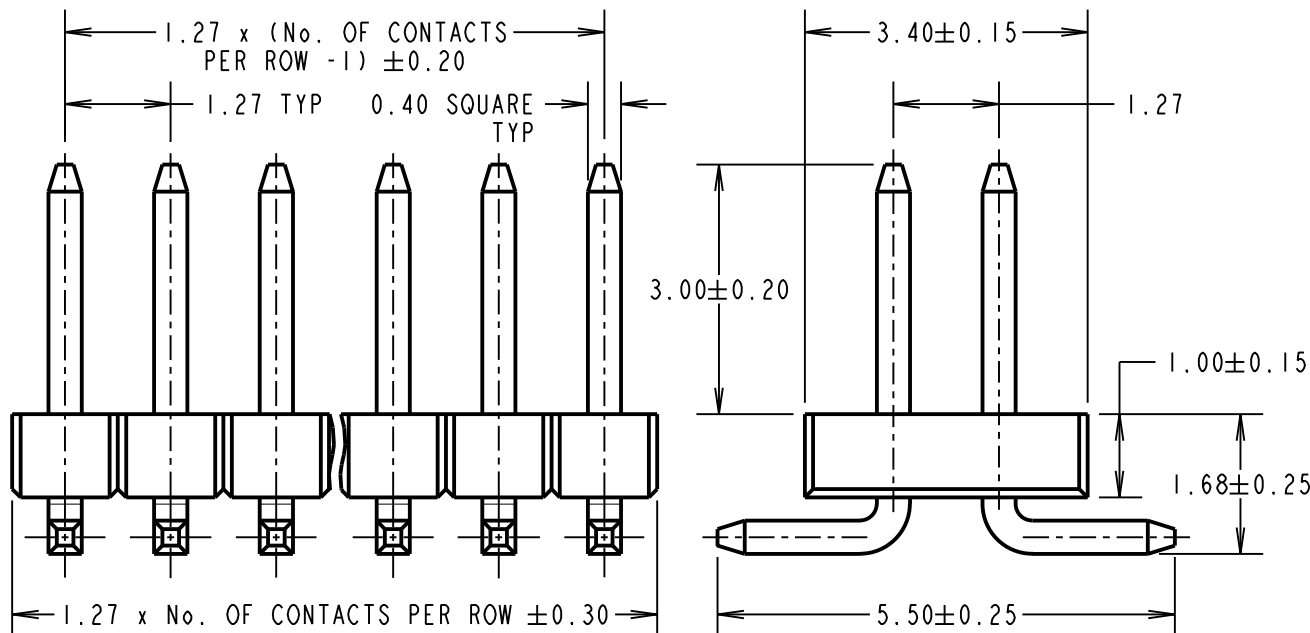
IF IN DOUBT - ASK

©

NOT TO SCALE

THIRD ANGLE PROJECTION

ALL DIMENSIONS IN mm



SPECIFICATIONS:

MATERIAL:

MOULDING = HIGH TEMP THERMOPLASTIC,
UL94V-0, BLACK
CONTACTS = COPPER ALLOY

FINISH:

CONTACTS = 0.70 TO 1.30 μ NICKEL ALL OVER,
0.08 TO 0.15 μ GOLD ON CONTACT AREA,
2.50 TO 3.00 μ 100% TIN ON TAILS

ELECTRICAL:

CURRENT RATING = 1A
CONTACT RESISTANCE = 20m Ω MAX
INSULATION RESISTANCE = 1000M Ω MIN
DIELECTRIC WITHSTANDING = 1000V AC FOR
ONE MINUTE

MECHANICAL:

DURABILITY = 300 CYCLES MIN

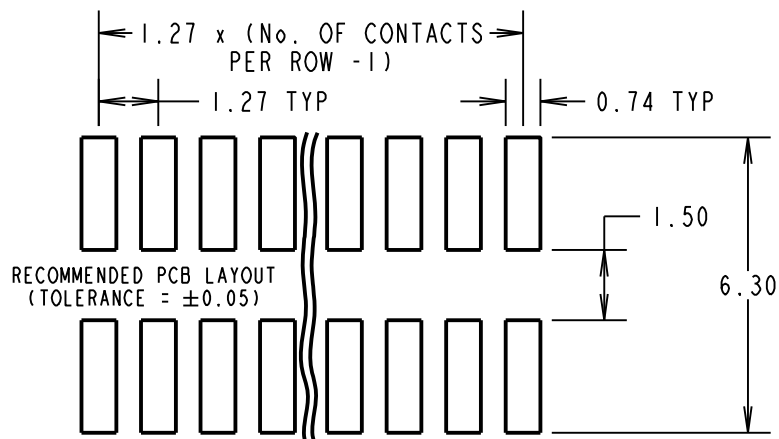
ENVIRONMENTAL:

TEMPERATURE RANGE = -40°C TO +105°C

PACKING:

BOX

FOR COMPLETE SPECIFICATION, SEE COMPONENT
SPECIFICATION C029XX (LATEST ISSUE)



ORDER CODE:

M50-360XX42

No. OF CONTACTS PER ROW: _____
02 TO 50

FINISH: _____
42 = SELECTIVE GOLD & 100% TIN OVER NICKEL

MGP	16	21.08.13	12195
NAME	ISS.	DATE	C/NOTE
APPROVED: MGP			
CHECKED: SF			
DRAWN: J. KIER			
CUSTOMER REF.:			
ASSEMBLY DRG:			

HARWIN

www.harwin.com
technical@harwin.com

THIS DRAWING AND ANY
INFORMATION OR DESCRIPTIVE
MATTER SET OUT HEREON ARE
CONFIDENTIAL AND COPYRIGHT
PROPERTY OF THE HARWIN
GROUP AND MUST NOT BE
DISCLOSED, LOANED, COPIED
OR USED FOR MANUFACTURING,
TENDERING OR FOR ANY
OTHER PURPOSE WITHOUT
THEIR WRITTEN PERMISSION.

TOLERANCES

X. = ± 1 mm
X.X = ± 0.25 mm
X.XX = ± 0.10 mm
X.XXX = ± 0.01 mm

ANGLES = $\pm 5^\circ$
UNLESS STATED

MATERIAL:

SEE ABOVE

FINISH: SEE ABOVE

S/AREA: mm²

TITLE:

1.27mm PITCH DIL VERTICAL
SMT PIN HEADER

DRAWING NUMBER:

M50-360XX42

SHT

2 OF 2