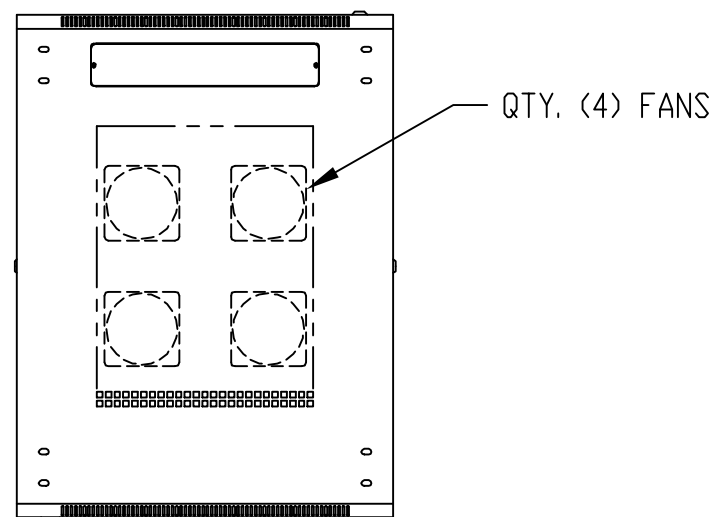


MATERIAL:
 PANEL MOUNTING RAILS - 14 GA. (0.08" [2.0] THK.) STEEL
 ALL OTHER PARTS - 18 GA. (0.05" [1.2] THK.) STEEL

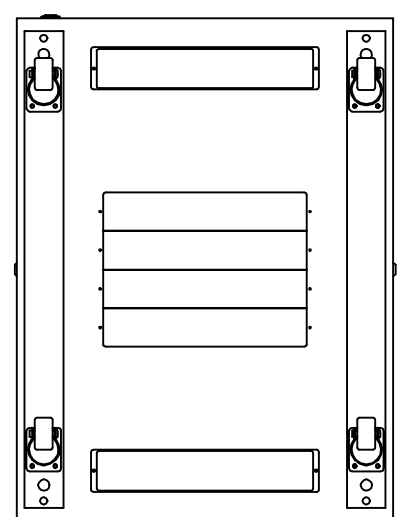
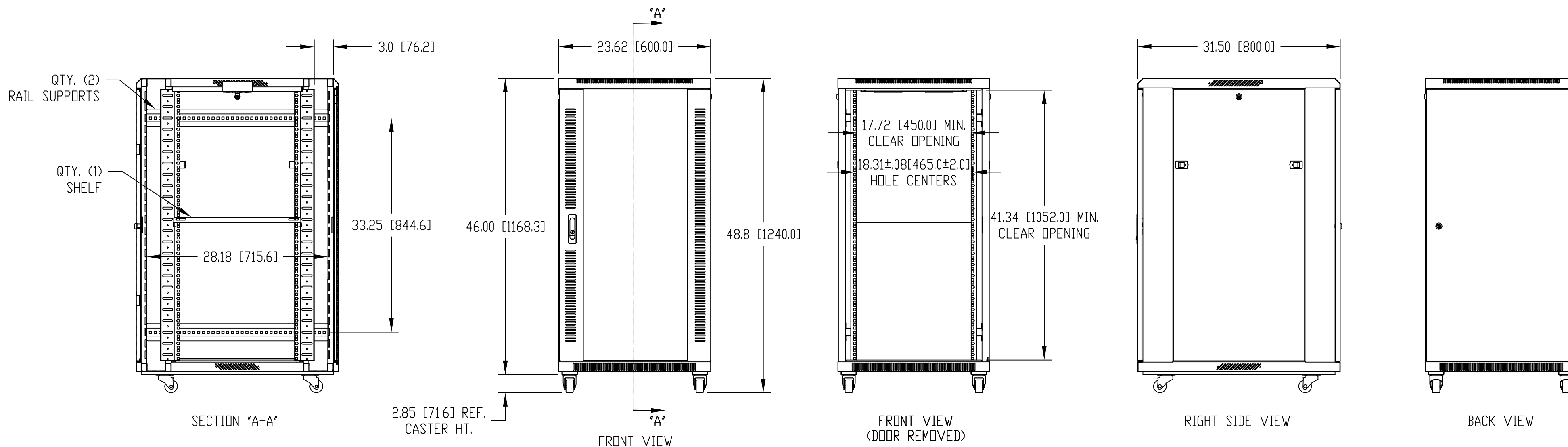
FINISH:
 BLACK TEXTURED POWDER COATING

PANEL MOUNTING RAILS HAVE 0.35" [8.9] SQUARE HOLES
 ON E.I.A. UNIVERSAL HOLE SPACING

SUPPLIED HARDWARE KIT TO INCLUDE:
 QTY. (25) M6 CAGE NUT
 QTY. (25) M6 PAN HEAD SCREW
 QTY. (25) NYLON FLAT WASHER
 QTY. (4) M10 x 2.25" [57.2] LG. STEM LEVELER W/HEX NUT
 QTY. (8) KEYS



TOP VIEW



BOTTOM VIEW

TOLERANCE ALL DIMENSIONS: ±0.08" [2.0]

ITEM	REQ'D.	PART NO.	DESCRIPTION
TOLERANCES:		MAT: AS NOTED	NAME:
±.005 BETWEEN HOLE CENTERS		FINISH: AS NOTED	24U BUDRACK PROFESSIONAL SERIES
±.015 FROM SHEARED EDGE		DR. DAB 6-20-08	
±.032 FROM A BENT SURFACE		CH.	BUD INDUSTRIES, INC.
±.063 BETWEEN ASSEMBLED SURFACES		APP.	WILLOUGHBY, OHIO
QTY.	USED ON	UNLESS OTHERWISE SPECIFIED	
			DWG. NO. BRP-12212