

REVISIONS				
SYM	ZONE	ECN, ERN NO.	DATE	APPRD.
E		UPDATED	2006/02/07	
F		UPDATED	JAN29/08	
G		UPDATED	AUG03/08	

THIS IS A CAD DRAWING. DO NOT MANUALLY REVISE.

PART NUMBER
(P/N DOES NOT
INCLUDING PACKAGING TYPE
AND DUST COVER OPTION)

DATE CODE

MATERIAL (RoHS COMPLIANCE):

CAGE:
COPPER ALLOY

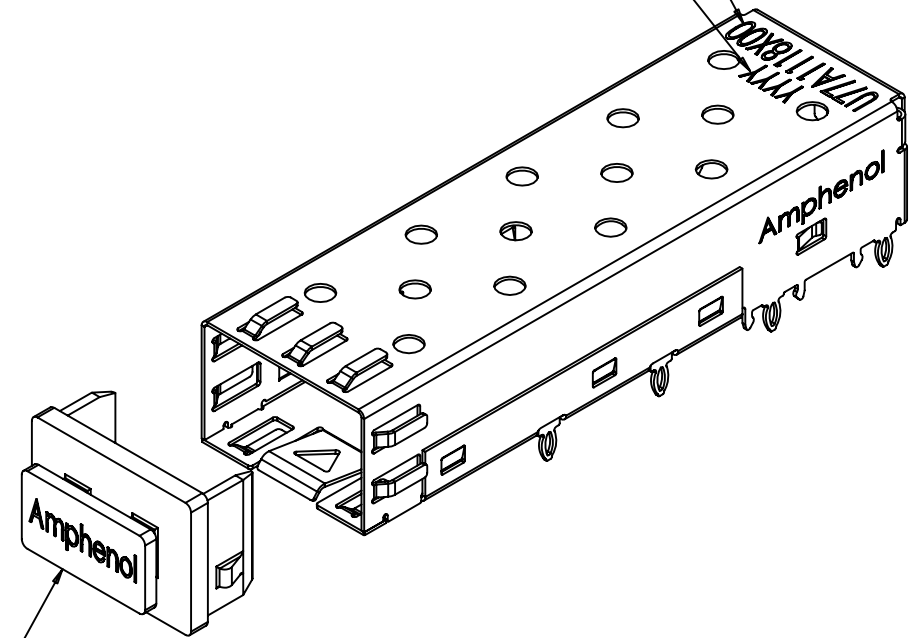
PLATING OPTION 1:
100µ" [2.54 µm] MIN. TIN
PLATING OVER 50 µ" (1.27 µm)
MIN. NICKEL UNDER PLATING.

PLATING OPTION 2:
100µ" [2.54 µm] MIN. NICKEL
PLATING (NOT FOR SOLDER PINS).

DUST COVER
THERMOPLASTIC, COLOR BLACK.

PACKAGING:
TAPE AND REEL OR TRAY PACKAGING.

TEMPERATURE RANGE:
-40°C TO +85°C



OPTIONAL DUST COVER
(SHIP LOOSE)
P/N U77-A1110-8000-P

AMPHENOL PART NUMBER CONFIGURATION

U77 - A 1 1 1 8 - X X 0 X

- PACKAGING
 - 1 = TRAY PACKAGING
 - T = TAPE & REEL PACKAGING
- OPTIONAL DUST COVER
 - 0 = NO DUST COVER
 - D = WITH DUST COVER (SHIP LOOSE)
- PLATING
 - 1 = TIN PLATING
 - 2 = NICKEL PLATING



DRAWN	J.SI	DATE	2005/03/08
DESIGNED	J.SI	2005/03/08	
CHECKED	X	X	
DWG. APPRD.			
ENG. REL. NO.			
REF.	X		
DIMENSIONS ARE IN	CODE ID. NO.		
INCHES [mm]	03554		

Amphenol Canada Corp.

TITLE
SFP SINGLE CAGE
WITH 8 PRESS FIT / 12 EMI PINS

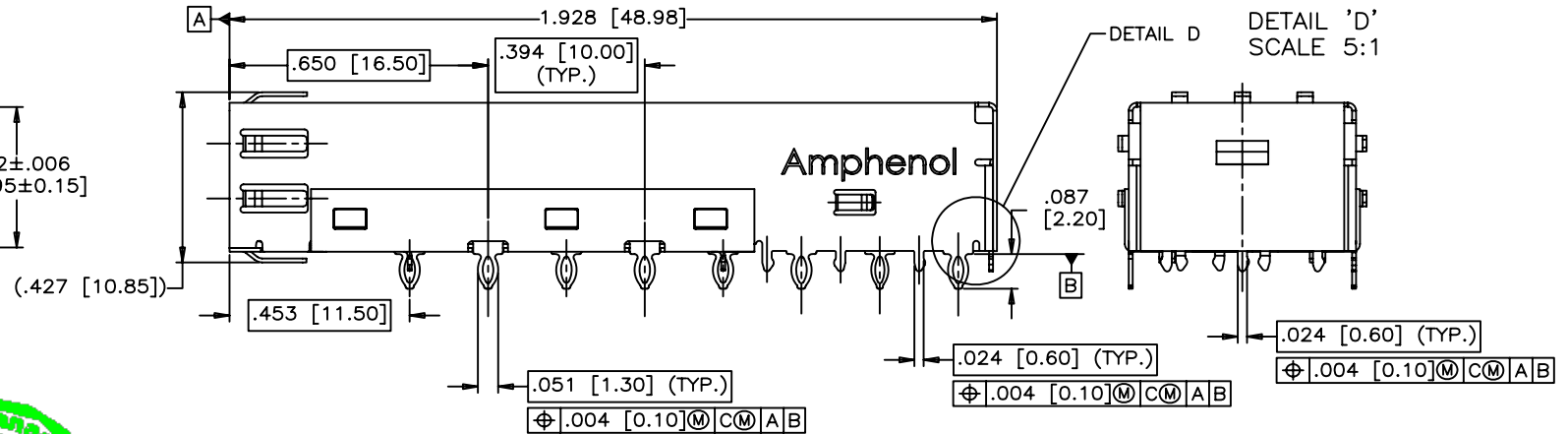
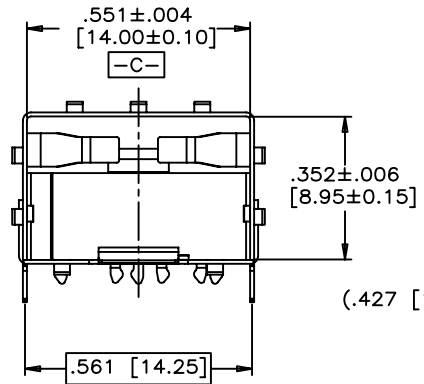
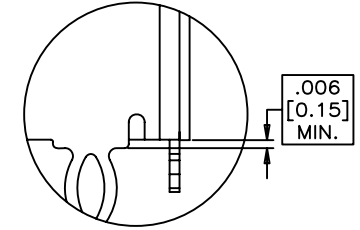
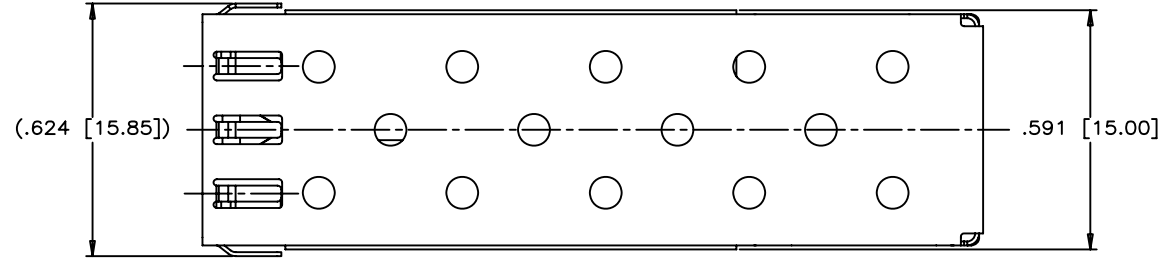
DWG. A DRAWING NO. P-U77-A1118-XXOX REV. G

SCALE 2:1 WT. SURF. SHEET 1 OF 5

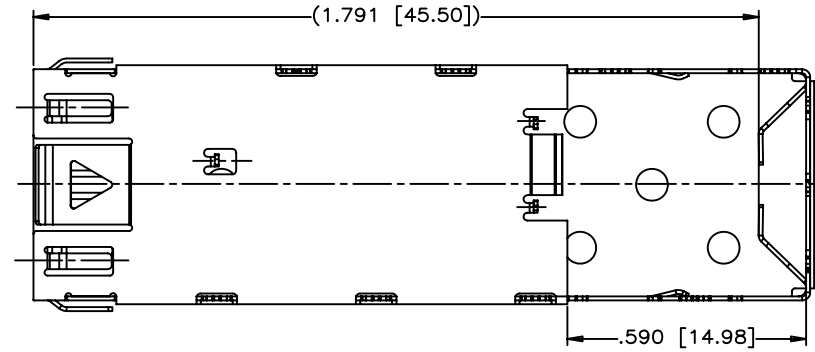
THIS DOCUMENT CONTAINS PROPRIETARY INFORMATION AND SUCH INFORMATION
MAY NOT BE DISCLOSED TO OTHERS FOR ANY PURPOSE OR USED FOR MANUFACTURING
PURPOSES WITHOUT WRITTEN PERMISSION FROM AMPHENOL CANADA CORP.

REVISIONS				
SYM	ZONE	ECN, ERN NO.	DATE	APPRD.
E		UPDATED	2006/02/07	
F		UPDATED	JAN29/08	
G		UPDATED	AUG03/08	

THIS IS A CAD DRAWING. DO NOT MANUALLY REVISE.



DETAIL 'D'
SCALE 5:1



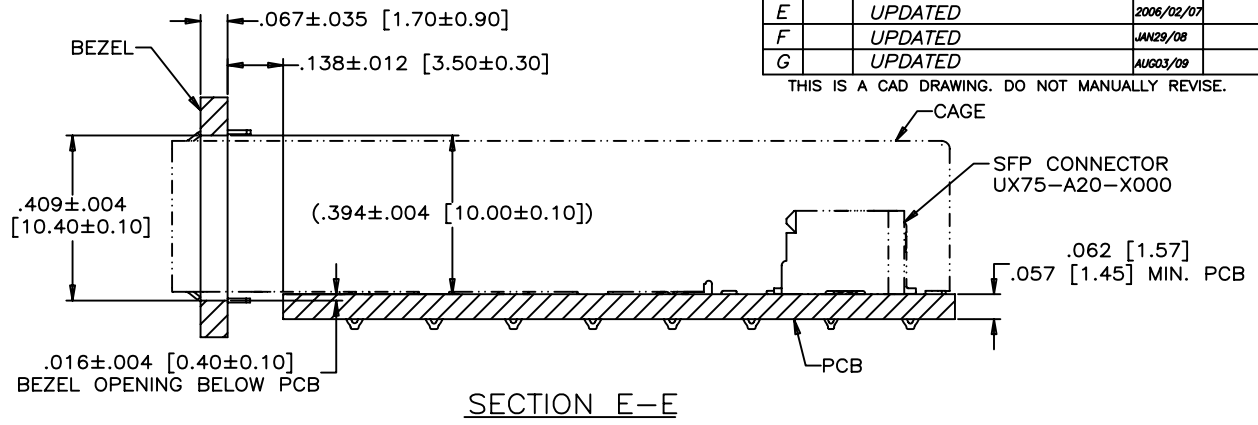
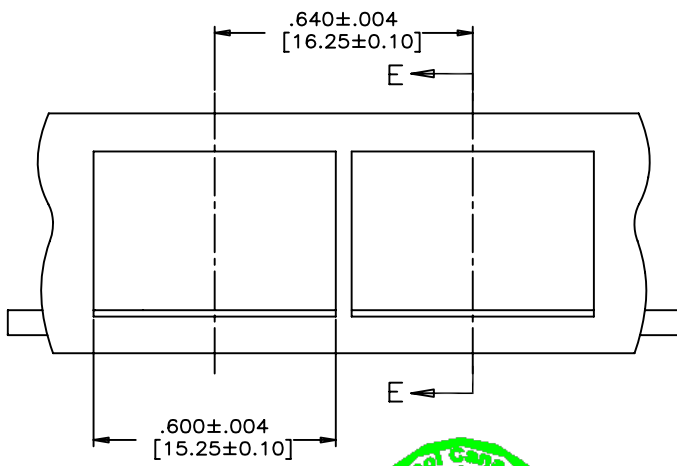
DRAWN	J.SI	DATE	2005/03/08
DESIGNED	J.SI	DATE	2005/03/08
CHECKED	X		
DWG. APPRD.			
ENG. REL. NO.			
REF.	X		
DIMENSIONS ARE IN	CODE ID. NO		
INCHES [mm]	03554		

Amphenol Canada Corp.			
TITLE			
SFP SINGLE CAGE WITH 8 PRESS FIT / 12 EMI PINS			
DWG	DRAWING NO.	REV.	
A	P-U77-A1118-XX0X	G	
SCALE	2:1	WT.	
SURF.		SHEET	2 OF 5

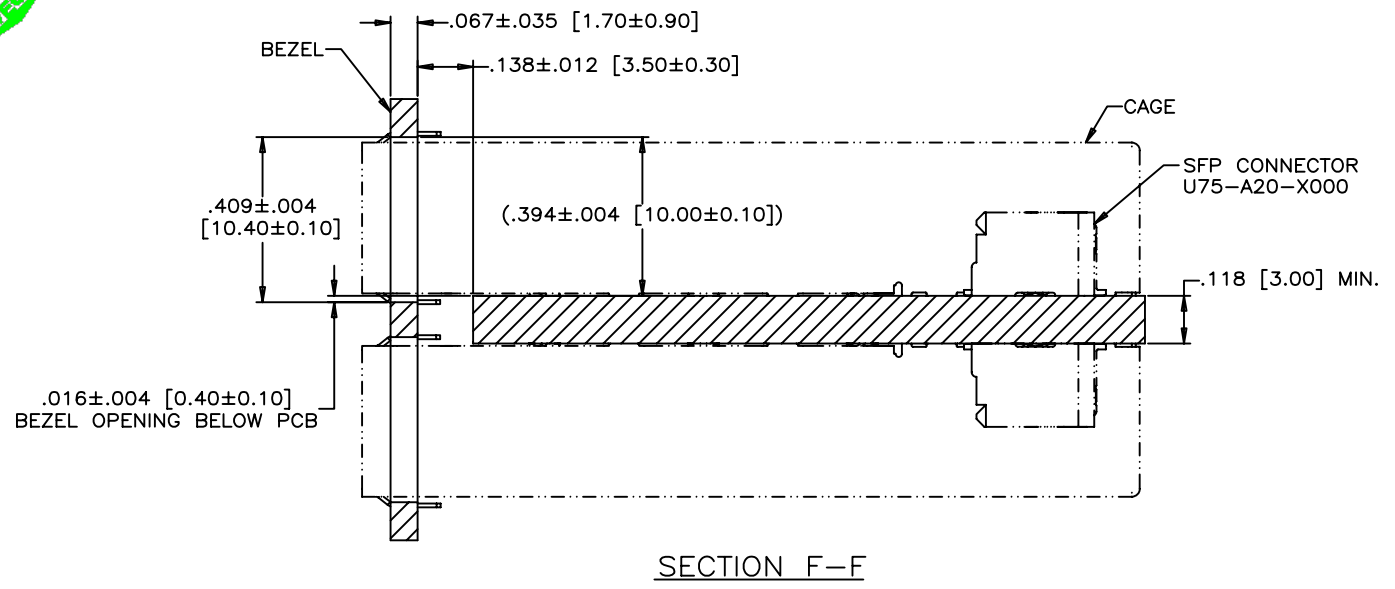
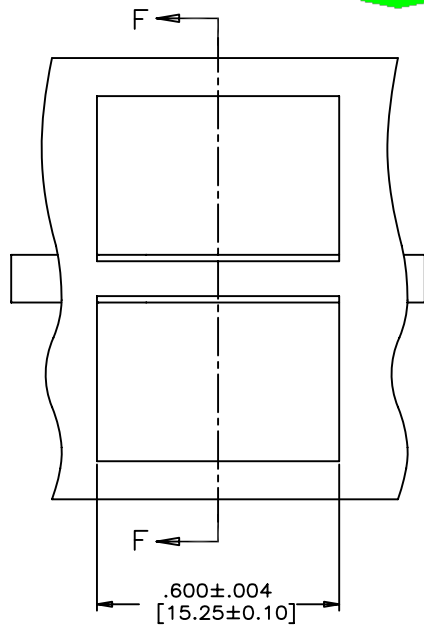
THIS DOCUMENT CONTAINS PROPRIETARY INFORMATION AND SUCH INFORMATION MAY NOT BE DISCLOSED TO OTHERS FOR ANY PURPOSE OR USED FOR MANUFACTURING PURPOSES WITHOUT WRITTEN PERMISSION FROM AMPHENOL CANADA CORP.

REVISIONS				
SYM	ZONE	ECN, ERN NO.	DATE	APPRD.
E		UPDATED	2006/02/07	
F		UPDATED	JAN29/08	
G		UPDATED	AUG03/09	

THIS IS A CAD DRAWING. DO NOT MANUALLY REVISE.



RECOMMENDED BEZEL DESIGN
(ONE SIDE CAGE MOUNTING)



RECOMMENDED BEZEL DESIGN
(BELLY TO BELLY CAGE MOUNTING)

DRAWN	J.SJ	DATE	2005/03/08
DESIGNED	J.SJ	DATE	2005/03/08
CHECKED	X		
DWG. APPRD.			
ENG. REL. NO.			
REF.	X		
DIMENSIONS ARE IN	INCHES [mm]	CODE ID. NO.	03554

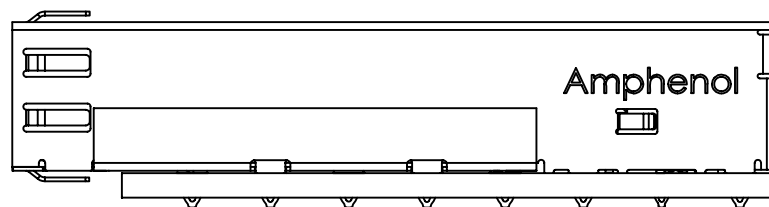
Amphenol Canada Corp.			
TITLE			
SFP SINGLE CAGE WITH 8 PRESS FIT / 12 EMI PINS			
DWG. APPRD.	DWG. NO.	DRAWING NO.	REV.
	A	P-U77-A1118-XX0X	G
SCALE	2:1	WT.	SURF.
			SHEET 3 OF 5

THIS DOCUMENT CONTAINS PROPRIETARY INFORMATION AND SUCH INFORMATION MAY NOT BE DISCLOSED TO OTHERS FOR ANY PURPOSE OR USED FOR MANUFACTURING PURPOSES WITHOUT WRITTEN PERMISSION FROM AMPHENOL CANADA CORP.

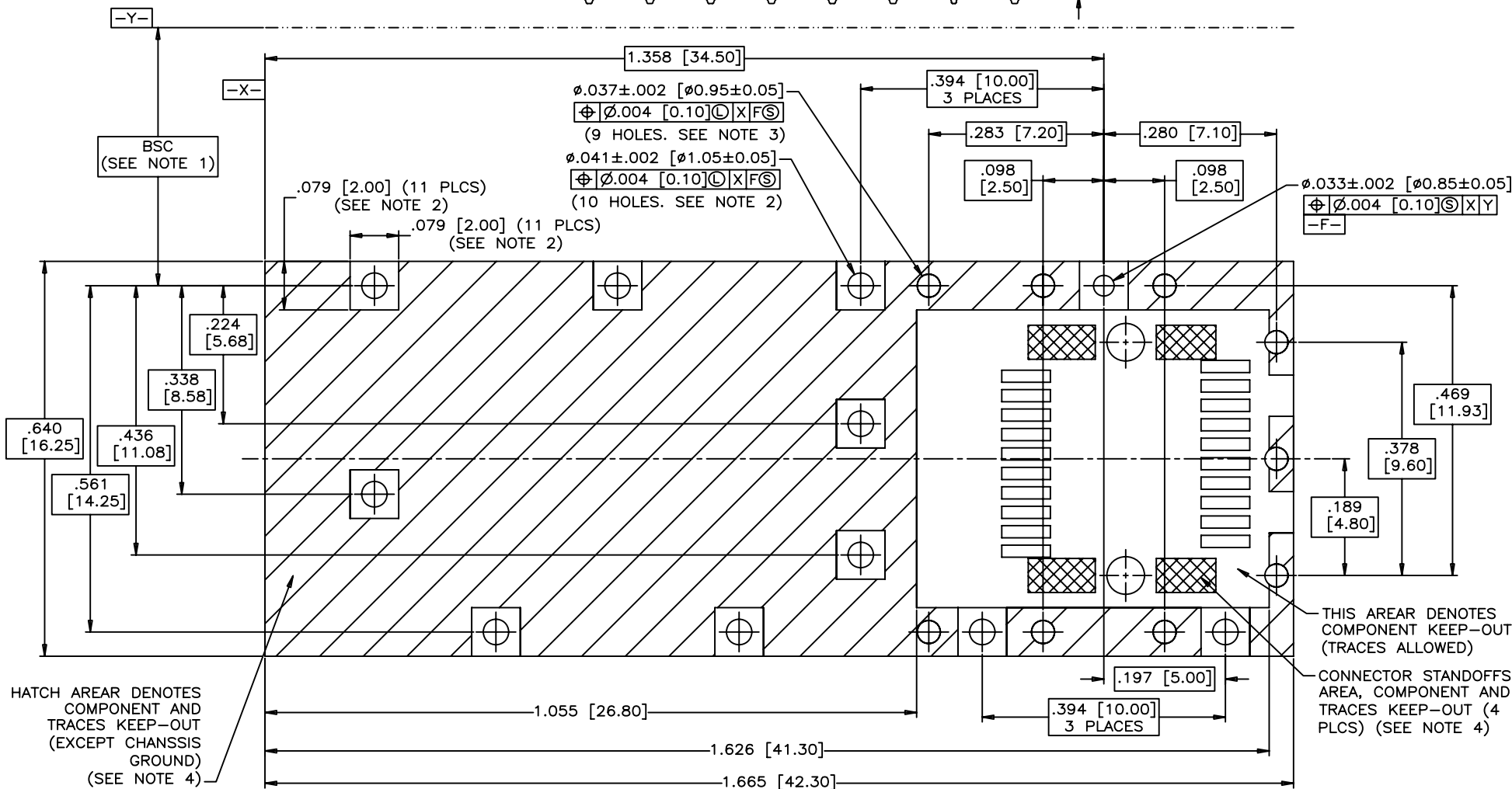
- NOTES:
- DATUM AND BASIC DIMENTIONS ESTABLISHED BY CUSTOMER
 - PADS AND VIAS ARE CHASSIS GROUND, 11 PLACES.
 - THRU HOLES, PLATING OPTIONAL.
 - SEE DRAWINGS P-U75-A20-X000X FOR CONNECTOR PCB LAYOUT.

REVISIONS				
SYM	ZONE	ECN, ERN NO.	DATE	APPRD.
E		UPDATED	2006/02/07	
F		UPDATED	JAN29/08	
G		UPDATED	AUG03/09	

THIS IS A CAD DRAWING. DO NOT MANUALLY REVISE.



.062 [1.57]
.057 [1.45] MIN. PCB



RECOMMENDED SFP HOST BOARD LAYOUT
(ONE SIDE CAGE MOUNTING)
(SCALE 4:1)

DRAWN	J.SI	DATE	2005/03/08
DESIGNED	J.SI	DATE	2005/03/08
CHECKED	X		X
DWG. APPRD.			
ENG. REL. NO.		DWG	A
REF.	X	DRAWING NO.	P-U77-A1118-XX0X
DIMENSIONS ARE IN INCHES [mm]	CODE ID. NO.	SCALE	2:1
	03554	WT.	
		SURF.	
		SHEET	4 OF 5

Amphenol Canada Corp.

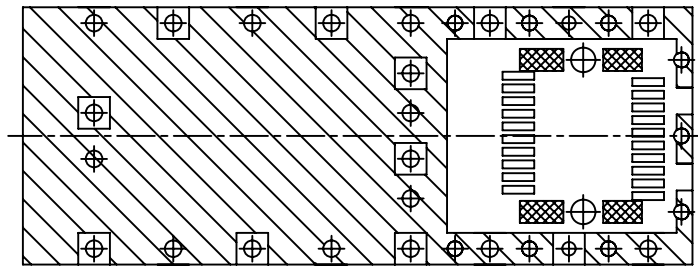
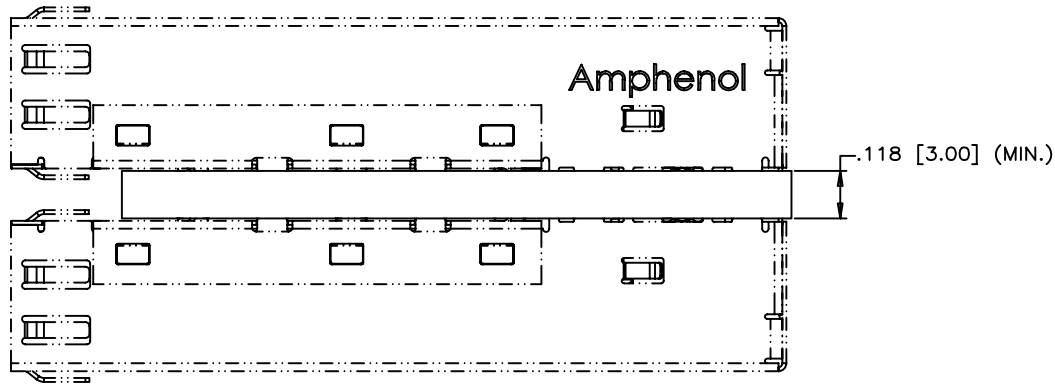
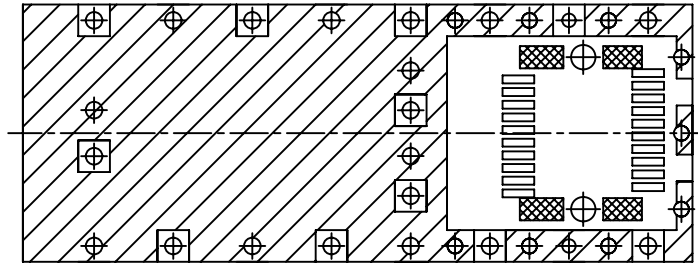
TITLE
SFP SINGLE CAGE
WITH 8 PRESS FIT / 12 EMI PINS

THIS DOCUMENT CONTAINS PROPRIETARY INFORMATION AND SUCH INFORMATION MAY NOT BE DISCLOSED TO OTHERS FOR ANY PURPOSE OR USED FOR MANUFACTURING PURPOSES WITHOUT WRITTEN PERMISSION FROM AMPHENOL CANADA CORP.

REV. G

REVISIONS				
SYM	ZONE	ECN, ERN NO.	DATE	APPRD.
E		UPDATED	2006/02/07	
F		UPDATED	JAN28/08	
G		UPDATED	AUG03/09	

THIS IS A CAD DRAWING. DO NOT MANUALLY REVISE.



RECOMMENDED SFP HOST BOARD LAYOUT
(BELLY TO BELLY CAGE MOUNTING)

THIS DOCUMENT CONTAINS PROPRIETARY INFORMATION AND SUCH INFORMATION MAY NOT BE DISCLOSED TO OTHERS FOR ANY PURPOSE OR USED FOR MANUFACTURING PURPOSES WITHOUT WRITTEN PERMISSION FROM AMPHENOL CANADA CORP.

DRAWN	J.SI	DATE	2005/03/08	Amphenol Canada Corp.	
DESIGNED	J.SI	DATE	2005/03/08		
CHECKED	X		X	TITLE	
DWG. APPRD.				SFP SINGLE CAGE	
ENG. REL. NO.				WITH 8 PRESS FIT / 12 EMI PINS	
REF.	X	DWG.	A	DRAWING NO.	P-U77-A1118-XX0X
DIMENSIONS ARE IN	INCHES [mm]	CODE ID. NO.	03554	REV.	G
SCALE 2:1		WT.	-----	SURF.	-----
				SHEET	5 OF 5