

5

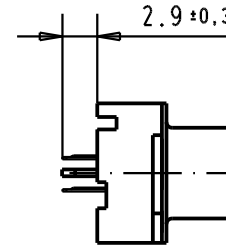
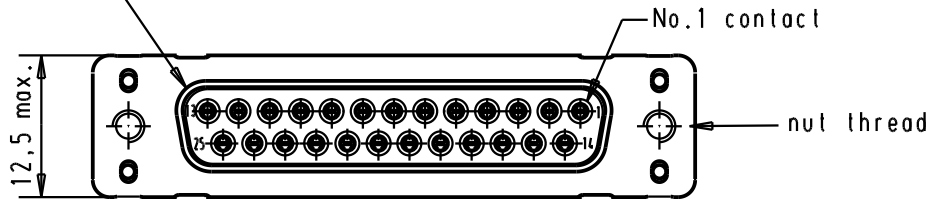
4

3

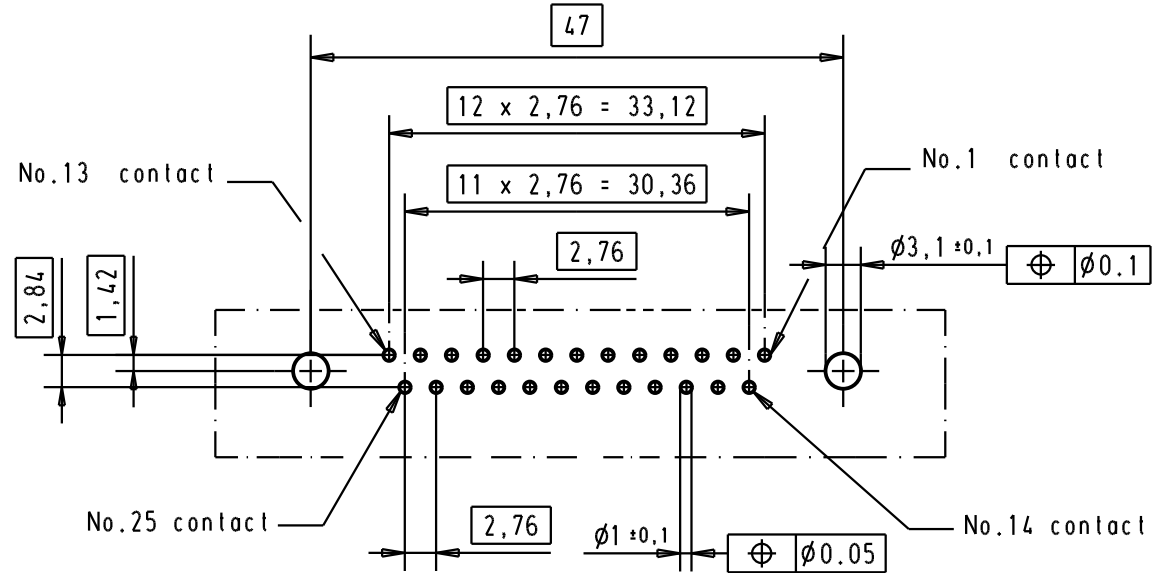
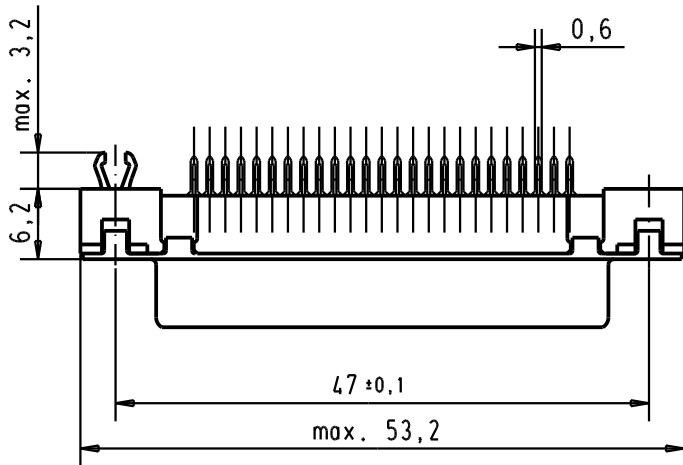
2

1

Mating face according to : MIL-C24308 / DIN 41652 / CECC 75301-802



Printed board layout  
component side



Connector retention and insertion forces on the PCB = 25 / 80 newtons

A	09 66 351 3511	M3	1						<p>All Dim. in mm Orig. Size DIN A 4</p>	D-sub, 25 poles, female, straight, with solder pins 2.9, nuts and grounding board lock	Maßstab/ Scale  1,5:1
	09 66 351 6511	M3	2				Dat. 05-MAR-02 Name CV				
	09 66 351 7511	M3	3				Insp. Stand.				
	09 66 351 3512	4-40 UNC	1	31892	05/05/04	JH	HARTING EUROL F-95972 Paris			TB 09 66 351 x51x	Blatt/ Page 1 /
	09 66 351 6512	4-40 UNC	2	31523	11-JUL-03	TCP					
	09 66 351 7512	4-40 UNC	3	29723	05-MAR-02	CV					
	Part number	Nut thread	Performance level	Mod.	Dat.	Name	Sub.				