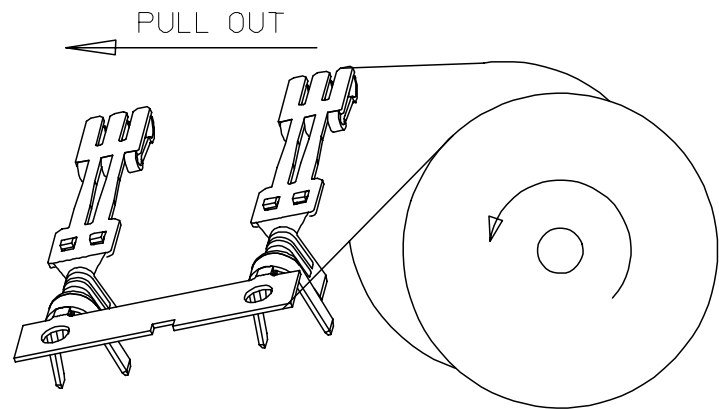


- NOTES:
1. MATERIAL:
PHOSPHOR BRONZE, THICKNESS = 0.25mm
 2. PLATING:
CONTACT AREA: GOLD PLATING.
CRIMPING AREA:
TIN, THICKNESS=1.875 MICROMETER MINIMUM.
UNDER PLATE:
NICKEL, THICKNESS=1.25 MICROMETER MINIMUM.
 3. TO BE USED WITH 67582, 5 SETS TERMINAL PER HOUSING
 4. PRODUCT SPECIFICATION REFER TO PS-67490-002
 5. PACKAGE SPECIFICATION REFER TO PK-67581-001
 6. CRIMPING SPECIFICATION REFER TO CS-47128-001
 7. RECOMMEND WIRE SIZE:
18+18/18+20/18+22/20+20/20+22AWG



PART NUMBER	PLATING TYPE
47128-1002	0.38 MICRONS GOLD PLATING
47128-1001	0.76 MICRONS GOLD PLATING
47128-1000	GOLD FLASH

EC NO: SH2006-0105 DRWN: GRMA 2005/12/06 CHKD: 2005/12/08 APPR: CCHEN 2006/01/05	QUALITY SYMBOLS	GENERAL TOLERANCES (UNLESS SPECIFIED) <table border="1"> <thead> <tr> <th></th> <th>mm</th> <th>INCH</th> </tr> </thead> <tbody> <tr> <td>4 PLACES</td> <td>± ---</td> <td>± ---</td> </tr> <tr> <td>3 PLACES</td> <td>± ---</td> <td>± ---</td> </tr> <tr> <td>2 PLACES</td> <td>± 0.25</td> <td>± ---</td> </tr> <tr> <td>1 PLACE</td> <td>± 0.3</td> <td>± ---</td> </tr> <tr> <td colspan="3">ANGULAR ± 2 °</td> </tr> </tbody> </table>		mm	INCH	4 PLACES	± ---	± ---	3 PLACES	± ---	± ---	2 PLACES	± 0.25	± ---	1 PLACE	± 0.3	± ---	ANGULAR ± 2 °			SCALE 4:1	DESIGN UNITS METRIC	THIRD ANGLE PROJECTION	REVISE ON CAD ONLY
			mm	INCH																				
	4 PLACES		± ---	± ---																				
	3 PLACES		± ---	± ---																				
2 PLACES	± 0.25	± ---																						
1 PLACE	± 0.3	± ---																						
ANGULAR ± 2 °																								
DESCRIPTION	DIMENSION STYLE MM ONLY	TITLE TERMINAL FOR SERIAL ATA POWER CABLE RECEPTACLE CRIMPING TYPE																						
REV	DRAFT WHERE APPLICABLE MUST REMAIN WITHIN DIMENSIONS	MOLEX INCORPORATED MATERIAL NO. SEE TABLE DOCUMENT NO. SD-47128-001 SHEET NO. 1 OF 1																						
		THIS DRAWING CONTAINS INFORMATION THAT IS PROPRIETARY TO MOLEX INCORPORATED AND SHOULD NOT BE USED WITHOUT WRITTEN PERMISSION																						