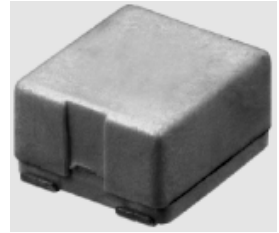
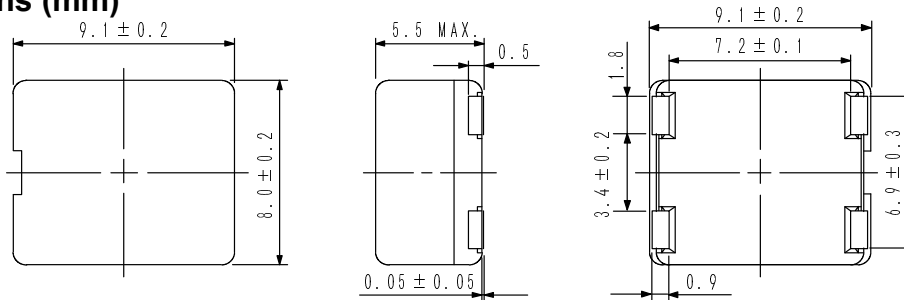
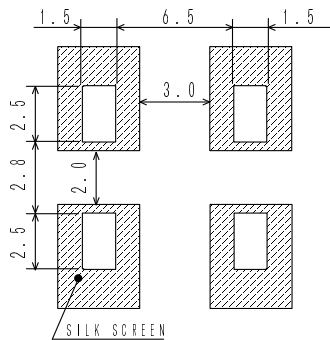
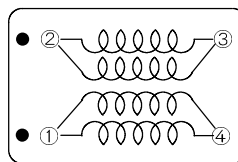


Type: CPFC85
◆ Product Description

- 9.3×8.2mm Max.(L×W), 5.5mm Max. Height.

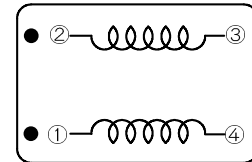
◆ Feature

- Ideally used as EMC and xDSL CO common mode choke.
- RoHS Compliance.


◆ Dimensions (mm)

◆ Land Pattern (mm)

◆ Schematics (Bottom)


● MARK OF POLARITY

For partname: CPFC85NP-100M03
CPFC85NP-100M10



● Mark of polarity

For partname: CPFC85-1M15NP

◆ Specification (For xDSL CO)

| Part Name | Core Material | Stamp | Impedance (KΩ)<Min.> <REF.> (1-4),(2-3) | D.C.R. (mΩ)<Max.> (1-4),(2-3) | Rated current (1-2)(A) ※1 (3-4) shorted |
|-----------------|---------------|-------|--|----------------------------------|--|
| CPFC85NP-100M03 | Ni-Zn | 0M03 | 0.3(@100MHz) | 20 | 5.0 |
| CPFC85NP-100M10 | Ni-Zn | 0M10 | 1.0(@100MHz) | 25 | 3.0 |

※ 1. Rated current: The DC current at which the temperature rise is Δt=40°C.(Ta=20°C).

◆ Specification (For EMC)

| Part Name | Core Material | Stamp | Inductance (1-4),(2-3) @ 100kHz | Common mode attenuation(1-4,2-3) | D.C.R. (1-2) ※2 | Isolation voltage (3-4), 1 minute |
|---------------|---------------|-------|------------------------------------|--|--------------------------------------|-----------------------------------|
| CPFC85-1M15NP | Mn-Zn | 1M15 | 4.7mH±30% Within | 30dB(Typ.)@100kHz 43dB(Typ.)@1MHz 34dB(Typ.)@10MHz | 2.0Ω Max. at 20°C (3-4)shorted | 500Vrms AC |

※ 2. D.C.R. is measured by 2 lines as series because impedance will be deteriorated when D.C.R. is measured by 1 line.