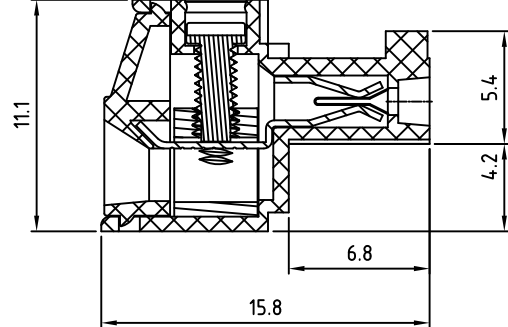
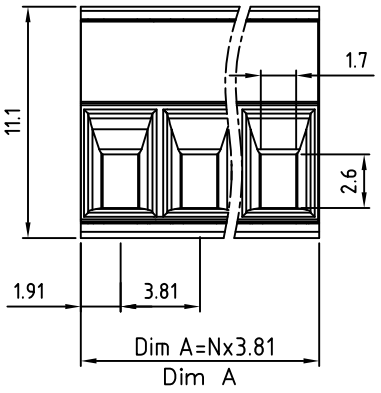
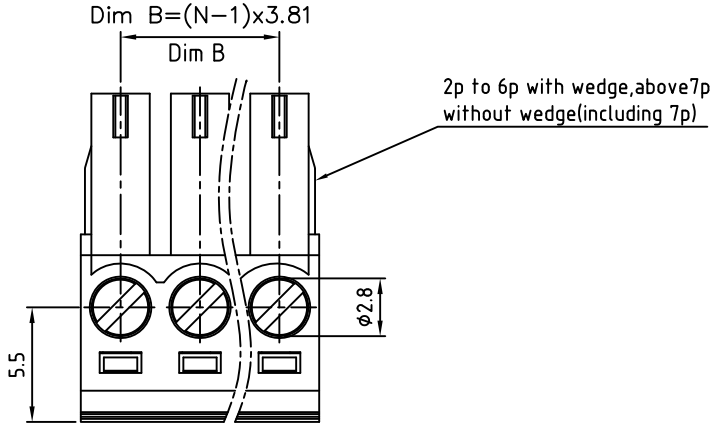


SIGN	DATE	DESCRIPTION	APPROVER
	2012.07.15	CSA information removed	
	2012.07.15	Operating temperature changed from -30° C to -40° C	
	2016.07.16	Current rating changed to 8A, and wire AWG to 16-30	
	2017.04.28	VDE information removed	
<i>THIS IS CAD DRAWING, DO NOT REVISE MANUALLY!!!</i>			



Material

- Terminal body (metal housing): Brass(CuZn)
- Terminal screw: Steel Zinc plating "-" slot type
- Wire guard: PhBz, Tin plated
- Insulator (housing): Thermoplastic (UL94V-0)

Electrical cULus

- Voltage rating: 300VAC
- Current rating: 8A
- Wire range: Solid wire(AWG): 16-30, Stranded wire(AWG): 16-30
- Torque: 2.5Lb-In
- Screw: M2
- Wire strip length: 6-7mm
- Withstanding Voltage: 1.6KV
- Operating temperature: -40° C to +115° C
- Safety Approval:

RoHS Compliant

PART NUMBER:

OSTTJXX31530

No. of Poles	02	2 Poles	COLOR	0:	Black
	03	3 Poles		2:	Red
...	3:	Orange	
24	24 Poles	...	4:	Yellow	
			5:	Green (Standard)	
			6:	Blue	
			8:	Grey	
			0:	White	

Poles	Dim A	Dim B
2-6p	±0.15	±0.15
7-12p	±0.20	±0.20
13-18p	±0.25	±0.25
19-24p	±0.30	±0.30

THESE DRAWINGS AND SPECIFICATIONS ARE THE PROPERTY OF ON-SHORE TECHNOLOGY, INC. AND SHALL NOT BE REPRODUCED, COPIED OR USED IN ANY MANNER WITHOUT THE PRIOR WRITTEN CONSENT OF ON-SHORE TECHNOLOGY, INC.



TITLE		OSTTJ-3.81mm Series	
PART NO.	OSTTJXX31530	DWG NO.	OSTTJXX31530.DWG
APPROVED	CHECKED	DESIGNED	DRAWN
		Marvin 2006.10.23	Marvin 2006.10.23
SHEET: 01/01		Tolerance	
		UNIT: mm	X. ±0.50
		SCALE: NONE	X.X ±0.30
		REV: F	X.XX ±0.10
			X° ±1°