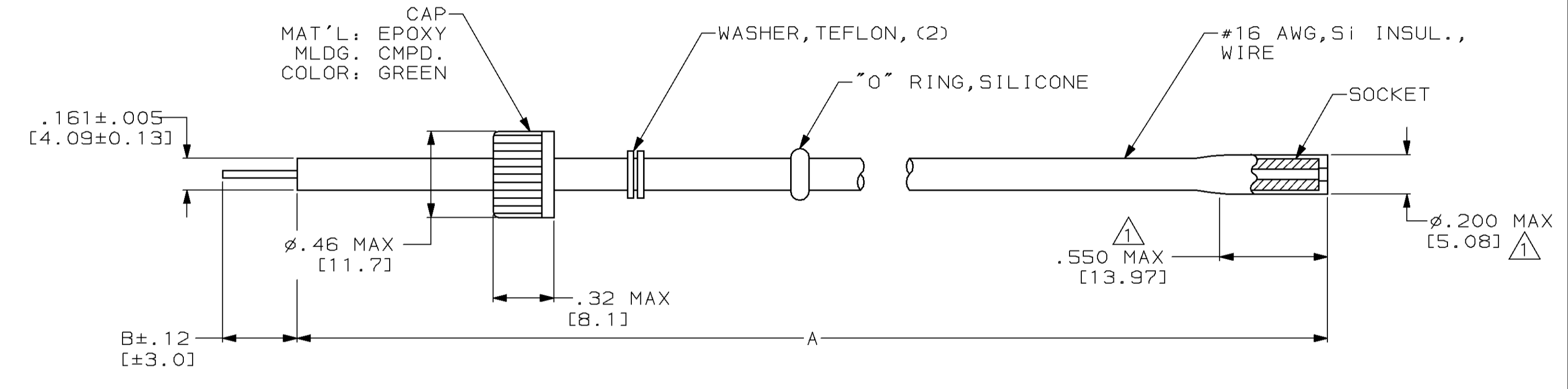


PROJ		LOC	Q1ST	REVISIONS						
4089	DF	50	P	F	ZONE	LTR	DESCRIPTION	DATE	APPD	
						N	REV PER 0600-5478-96	CT	7-96	SG

PART NO.	A	B	
840706-1	12.00 [304.8]	.25 [6.3]	
840706-2	15.00 [381.0]	.25 [6.3]	
840706-3	18.00 [457.2]	.25 [6.3]	
840706-4	2.00 [50.8]	.38 [9.7]	OBSOLETE
840706-5	36.00 [914.4]	.25 [6.3]	OBSOLETE
840706-6	16.00 [406.4]	.25 [6.3]	OBSOLETE
840706-7	24.00 [609.6]	.25 [6.3]	
840706-8	144.00 [3657.6]	.25 [6.3]	OBSOLETE
840706-9	60.00 [1524.0]	.25 [6.3]	OBSOLETE
1-840706-0	48.00 [1219.2]	.25 [6.3]	OBSOLETE
1-840706-1	180.00 [4572.0]	.25 [6.3]	OBSOLETE
1-840706-2	10.00 [254.0]	.25 [6.3]	
1-840706-3	4.00 [101.6]	.25 [6.3]	
1-840706-4	30.00 [762.0]	.25 [6.3]	OBSOLETE
1-840706-5	54.00 [1371.6]	.38 [9.7]	OBSOLETE
1-840706-6	45.00 [1143.0]	.38 [9.7]	OBSOLETE
1-840706-7	72.00 [1828.8]	.25 [6.3]	
1-840706-8	6.00 [152.4]	.38 [9.7]	
1-840706-9	8.00 [203.2]	-	OBSOLETE
2-840706-0	21.00 [533.4]	.25 [6.3]	
2-840706-1	9.00 [228.6]	-	
2-840706-2	96.00 [2438.4]	.38 [9.7]	OBSOLETE
2-840706-3	108.00 [2743.2]	.25 [6.3]	OBSOLETE
2-840706-4	9.00 [228.6]	.25 [6.3]	
2-840706-5	13.68 [347.5]	.31 [7.9]	OBSOLETE
2-840706-6	19.68 [499.9]	.31 [7.9]	OBSOLETE
2-840706-7	6.62 [168.1]	.38 [9.7]	OBSOLETE
2-840706-8	44.00 [1117.6]	.25 [6.3]	OBSOLETE
2-840706-9	25.00 [635.0]	.38 [9.7]	OBSOLETE
3-840706-0	10.00 [254.0]	-	OBSOLETE
3-840706-1	72.00 [1828.8]	-	OBSOLETE
3-840706-2	20.00 [508.0]	-	
3-840706-3	3.00 [76.2]	.25 [6.3]	
3-840706-4	21.00 [533.4]	-	OBSOLETE
3-840706-5	40.00 [1016.0]	-	
3-840706-6	8.00 [203.2]	.25 [6.3]	
3-840706-7	5.00 [127.0]	.25 [6.3]	OBSOLETE
3-840706-8	25.62 [650.7]	.38 [9.7]	OBSOLETE
3-840706-9	12.00 [304.8]	-	OBSOLETE
4-840706-0	32.00 [812.8]	-	OBSOLETE
4-840706-1	600.00 [15240.0]	-	
4-840706-2	84.00 [2133.6]	-	OBSOLETE
4-840706-3	7.75 [196.8]	.25 [6.3]	OBSOLETE
4-840706-4	11.00 [279.4]	-	OBSOLETE
4-840706-5	8.00 [203.2]	.38 [9.7]	OBSOLETE
4-840706-6	28.00 [711.2]	.38 [9.7]	OBSOLETE
4-840706-7	13.00 [330.2]	.25 [6.3]	OBSOLETE
4-840706-8	36.00 [914.4]	-	OBSOLETE
4-840706-9	13.00 [330.2]	-	OBSOLETE
5-840706-0	11.50 [292.1]	.50 [12.7]	OBSOLETE

PART NO.	A	B	
5-840706-1	300.00 [7620.0]	-	OBSOLETE
5-840706-2	48.00 [1219.2]	.50 [12.7]	OBSOLETE
5-840706-3	3.75 [95.2]	.75 [19.0]	OBSOLETE
5-840706-4	360.00 [9144.0]	-	OBSOLETE
5-840706-5	13.00 [330.2]	.75 [19.0]	OBSOLETE
5-840706-6	240.00 [6096.0]	.25 [6.3]	OBSOLETE
5-840706-7	6.50 [165.1]	.38 [9.7]	OBSOLETE
5-840706-8	22.00 [558.8]	-	
5-840706-9	156.00 [3962.4]	-	OBSOLETE
6-840706-0	18.00 [457.2]	.75 [19.0]	
6-840706-1	9.00 [228.6]	.38 [9.7]	OBSOLETE
6-840706-2	11.00 [279.4]	.38 [9.7]	
6-840706-3	22.00 [558.8]	.38 [9.7]	OBSOLETE
6-840706-4	56.00 [1422.4]	-	OBSOLETE
6-840706-5	26.00 [660.4]	-	OBSOLETE
6-840706-6	4.00 [101.6]	-	OBSOLETE
6-840706-7	48.00 [1219.2]	-	OBSOLETE
6-840706-8	3.38 [85.9]	.62 [15.7]	OBSOLETE
6-840706-9	5.87 [149.1]	.62 [15.7]	OBSOLETE
7-840706-0	10.50 [266.7]	.38 [9.7]	
7-840706-1	7.00 [177.8]	-	OBSOLETE
7-840706-2	14.00 [355.6]	-	OBSOLETE
7-840706-3	14.00 [355.6]	.38 [9.7]	
7-840706-4	16.00 [406.4]	.38 [9.7]	OBSOLETE
7-840706-5	42.00 [1066.8]	-	OBSOLETE
7-840706-6	37.00 [939.8]	.38 [9.7]	
7-840706-7	23.62 [599.9]	.38 [9.7]	OBSOLETE
7-840706-8	6.50 [165.1]	.25 [6.3]	OBSOLETE
7-840706-9	5.50 [139.7]	.38 [9.7]	OBSOLETE
8-840706-0	36.00 [914.4]	.38 [9.7]	
8-840706-1	700.00 [17780.0]	.38 [9.7]	OBSOLETE
8-840706-2	80.00 [2032.0]	.38 [9.7]	OBSOLETE
8-840706-3	21.88 [555.8]	.47 [11.9]	OBSOLETE
8-840706-4	18.44 [468.4]	.50 [12.7]	OBSOLETE
8-840706-5	78.75 [2000.2]	.38 [9.7]	
8-840706-6	26.94 [684.3]	.47 [11.9]	
8-840706-7	21.25 [539.7]	.50 [12.7]	OBSOLETE
8-840706-8	20.50 [520.7]	.50 [12.7]	OBSOLETE
8-840706-9	12.88 [327.2]	.50 [12.7]	OBSOLETE
9-840706-0	25.50 [647.7]	.50 [12.7]	OBSOLETE
9-840706-1	3.00 [76.2]	-	OBSOLETE
9-840706-2	25.00 [635.0]	.50 [12.7]	OBSOLETE
9-840706-3	12.00 [304.8]	.50 [12.7]	OBSOLETE
9-840706-4	4.50 [114.3]	.38 [9.7]	OBSOLETE
9-840706-5	1070.00 [27178.0]	-	OBSOLETE
9-840706-6	15.75 [400.0]	-	OBSOLETE
9-840706-7	5.00 [127.0]	-	OBSOLETE
9-840706-8	20.00 [508.0]	.38 [9.7]	OBSOLETE
9-840706-9	17.50 [444.5]	.38 [9.7]	OBSOLETE



1. .200 MAX DIMENSION HELD OVER THE .550 MAX AREA ONLY.
2. MARKED PER MIL-STD-130.
3. LEAD COLOR IS WHITE UNLESS OTHERWISE SPECIFIED.
4. LEADS WILL MATE WITH AMP 1/2 OR 1/2L RECEPTACLES.
5. OPERATING VOLTAGE: 15 KVDC AT 0 TO 70,000 FEET, -55°C TO 125°C.
6. TOLERANCE OF LEAD LENGTH:
UP TO 24 INCHES [609.6] = ±.12 [±3.1]
24 INCHES [609.6] & UP = 1%
7. WHERE APPLICABLE "B" STRIP LENGTH IS SOLDER DIPPED.
8. FOR ADDITIONAL LENGTHS SEE AMP DWG. 860520.

DO NOT SCALE PRINT. UNLESS SPECIFIED DIMENSIONS IN INCHES [mm]	DR 9-7-89 C.C. THOMAS	AMP INCORPORATED Harrisburg, Pa. 17105
TOLERANCES ON:	CHK 12-19-89 S. GLATFELTER	
2 PLC DEC ± - 3 PLC DEC ± - ANGLES ± -	APPD 12-19-89 S. GLATFELTER	
MATERIAL	RLSE 12-19-89 C.C. THOMAS	NAME LEAD ASS'Y, LGH 1/2 & 1/2L, SGL. END
SEE CALLOUTS	PRODUCT SPEC -	SIZE D 00779
FINISH -	APPLICATION SPEC -	CAGE CODE 00779
WEIGHT -		DRAWING NO 840706
		SCALE 2:1
		SHEET 1 OF 1