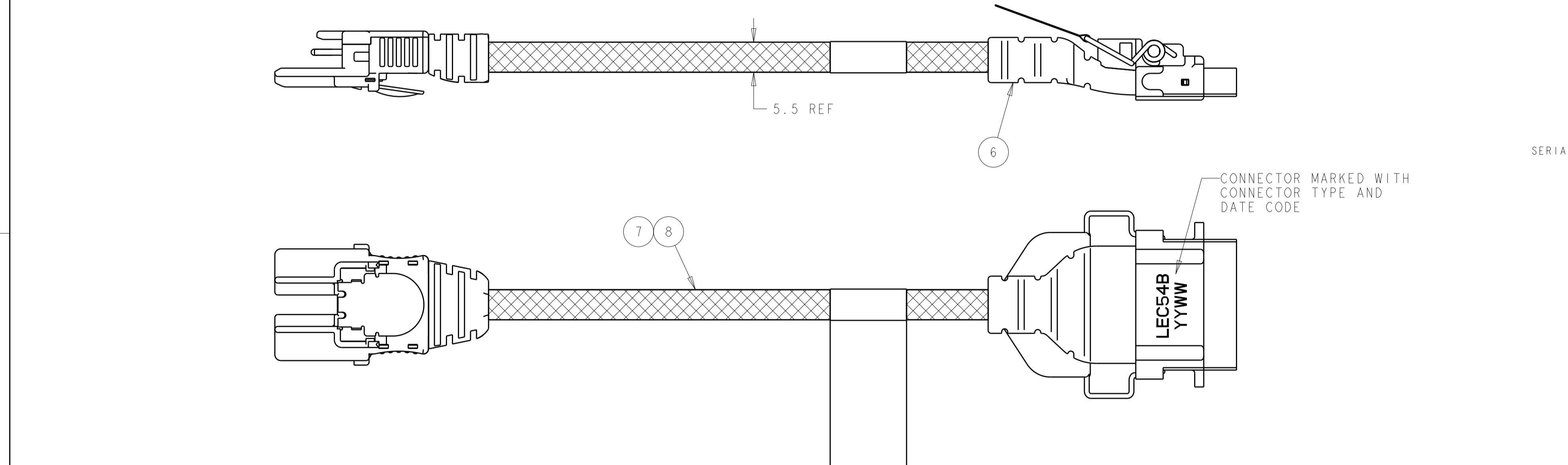
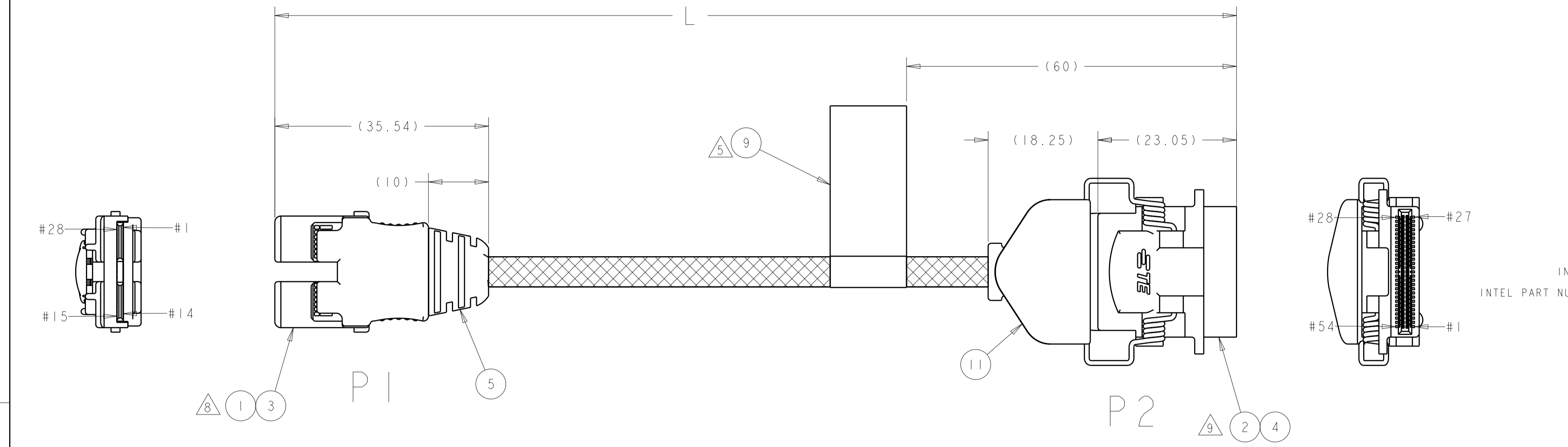
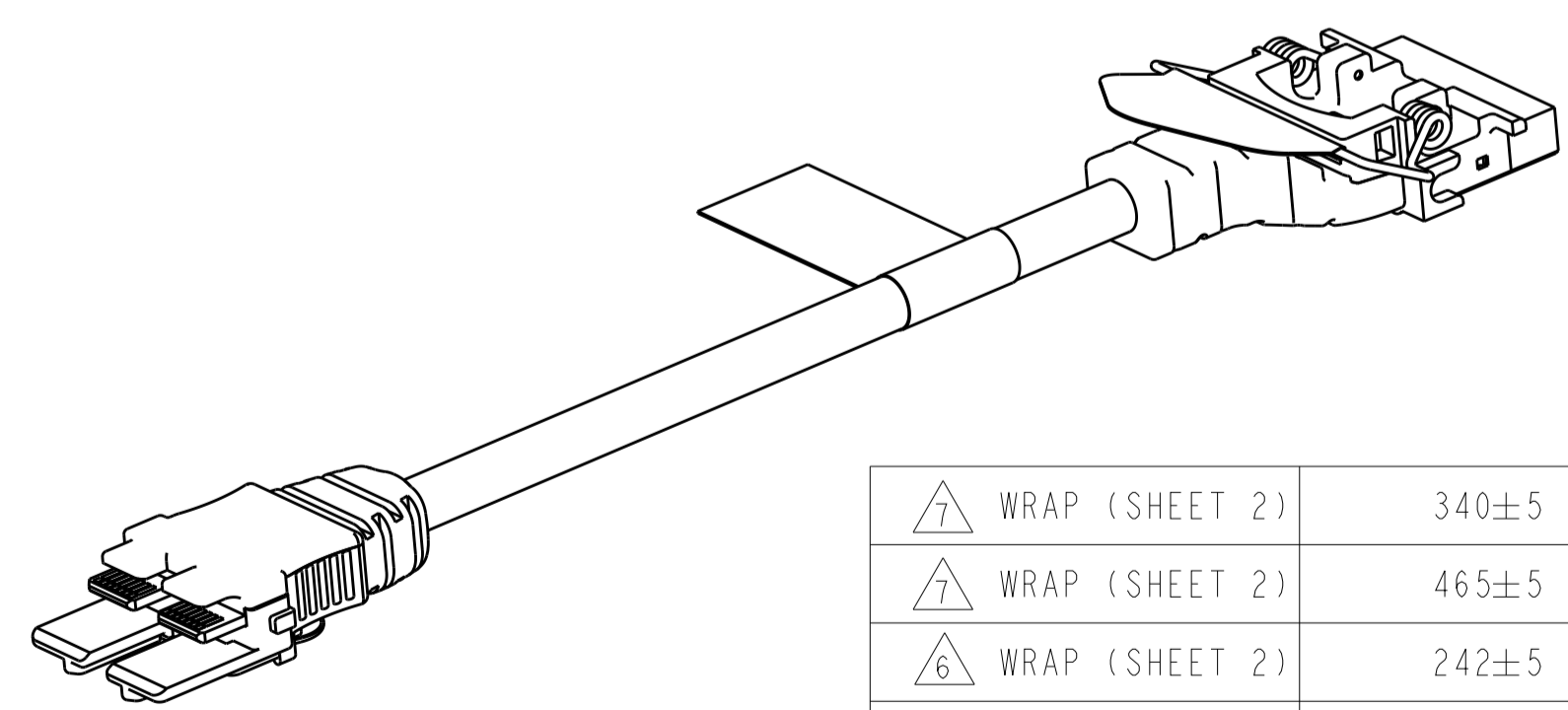


REVISIONS				
REV	DATE	DESCRIPTION	BY	APPV
A	27APR2017	RELEASED PER ECO-17-004604	CP	GL
B	06JUN2017	ADD NEW PN -7	GL	CP



CABLE PINOUT			
PAIR	PIN NAME	P1	P2
GROUND BUS	-	1	1
1	HF10_RX_DN(1)	2	2
	HF10_RX_DP(1)	3	3
GROUND BUS	-	4	4
GROUND BUS	-	28	4
2	HF10_RX_DN(2)	27	5
	HF10_RX_DP(2)	26	6
GROUND BUS	-	25	7
3	HF10_RX_DN(3)	5	8
	HF10_RX_DP(3)	6	9
GROUND BUS	-	25	10
4	HF10_RX_DN(4)	24	11
	HF10_RX_DP(4)	23	12
GROUND BUS	-	22	13
GROUND BUS	-	7	14
GROUND BUS	-	8	15
5	HF10_TX_DP(4)	9	16
	HF10_TX_DN(4)	10	17
GROUND BUS	-	21	18
6	HF10_TX_DP(3)	20	19
	HF10_TX_DN(3)	19	20
GROUND BUS	-	11	21
7	HF10_TX_DP(2)	12	22
	HF10_TX_DN(2)	13	23
GROUND BUS	-	14	24
GROUND BUS	-	18	24
8	HF10_TX_DP(1)	17	25
	HF10_TX_DN(1)	16	26
GROUND BUS	-	15	27

2821722-1, -2



△7 WRAP (SHEET 2)	340±5	J62082-005	2821722-7
△7 WRAP (SHEET 2)	465±5	H74966-005	2821722-4 △12
△6 WRAP (SHEET 2)	242±5	-	2821722-3
△5 FLAG (SHEET 1)	205±5	H74965-005	2821722-2
△5 FLAG (SHEET 1)	160±5	H86174-005	2821722-1
LABEL TYPE	L	INTEL PART NO	TE PART NO

1. THIS ASSEMBLY CONFORMS TO INTEL PART NO. (SEE TABLE).
 2. EACH ASSEMBLY TESTED FOR OPENS, SHORTS AND SIGNAL INTEGRITY.
 3. ROHS AND REACH COMPLIANCE: PRODUCT AND PROCESSING MEETS THE REQUIREMENTS OF TE SPECIFICATION TEC-138-702.
 4. EACH ASSEMBLY PACKAGED IN AN ANTISTATIC BAG.
- △5 LABEL INFORMATION: (ITEM 9): 2821722-1, -2
-
- △6 LABEL INFORMATION (ITEM 11): 2821722-3 (SEE SHEET 2)
-
- △7 LABEL INFORMATION (ITEM 11): 2821722-4, -7 (SEE SHEET 2)
-
- △8 FINISH (CONTACT PADS): 30µIN MINIMUM GOLD PER TE SPEC 112-162-1 OVER 100µIN MINIMUM NICKEL PER TE SPEC 112-25-2.
 - △9 FINISH: 50µIN MINIMUM GOLD PER TE SPEC 112-162-5, IN LOCALIZED GOLD PLATE AREA, OVER 50µIN MINIMUM NICKEL PER TE SPEC 112-25-2 ON ENTIRE STOCK.
 - △10 CABLE PART #: 023B2LF023
CABLE SPEC: 104-1587
 11. CABLE ASSEMBLY BUILT IN ACCORDANCE WITH INTEL DESIGN GUIDE 1.0
 - △12 CABLE ASSEMBLY LENGTH OFFERED BY TE IS NOT REFERENCED WITHIN INTEL DESIGN GUIDE 1.0.

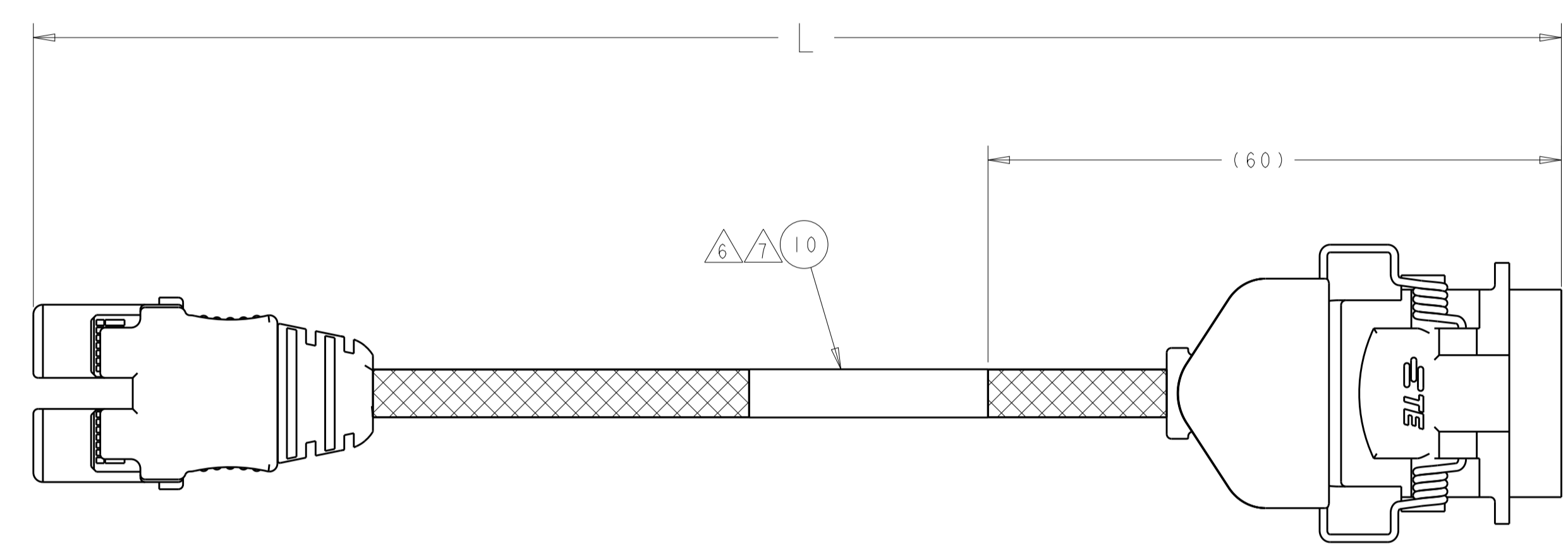
I	I	I	I	I	PULL TAB	I
I	I	I	-	-	LABEL, WRAP	10
-	-	-	I	I	LABEL, FLAG	9
AR	AR	AR	AR	AR	SLEEVING, EXPANDABLE	8
AR	AR	AR	AR	AR	85 OHM TWINAX CABLE, 30AWG 25G TURBO TWINTM △10	7
I	I	I	I	I	OVERMOLDED STRAIN RELIEF, LECB	6
I	I	I	I	I	OVERMOLDED STRAIN RELIEF, IFP	5
I	I	I	I	I	DUST COVER, LECB (NOT SHOWN)	4
I	I	I	I	I	DUST COVER, IFP (NOT SHOWN)	3
I	I	I	I	I	LEC 54B RECPT, 54 POSN	2
I	I	I	I	I	IFP PLUG, 28 POSN	1
-7	-4	-3	-2	-1	DESCRIPTION	ITEM NO

THIS DRAWING IS A CONTROLLED DOCUMENT. DWG: T. SMITH 17JUL2016
 CHK: C. POGASH 17JUL2016

DIMENSIONS:	TOLERANCES UNLESS OTHERWISE SPECIFIED:	APVD	NAME
mm	0 PLC ±0.5 1 PLC ±0.5 2 PLC ±0.13 3 PLC ±0.013 4 PLC ±0.013 ANGLES ±0.5	NAME	IFP ASSEMBLY, TYPE B, STRAIGHT EXIT I-PORT, INVERTED.
MATERIAL	FINISH	PRODUCT SPEC	APPLICATION SPEC
		WEIGHT	SIZE CAGE CODE DRAWING NO
		CUSTOMER DRAWING	SCALE 2:1 SHEET 1 OF 2 REV B

RESTRICTED TO: A1 C=2821722

REVISIONS				
P.	LTN	DESCRIPTION	DATE	APVD
		SEE SHEET 1		



**2821722-3, -4, -7
 WRAP AROUND LABEL
 REQUIREMENT
 ALL ASSEMBLY REQUIREMENTS
 SAME AS -1 EXCEPT FOR
 LABEL**

THIS DRAWING IS A CONTROLLED DOCUMENT.		DWN T. SMITH 17 JUL 2016 CHK C. POGASH 17 JUL 2016 APVD -	TE TE Connectivity	
DIMENSIONS: mm 		TOLERANCES UNLESS OTHERWISE SPECIFIED: 0 PLC ± 1 PLC ±0.5 2 PLC ±0.13 3 PLC ±0.013 4 PLC ± ANGLES ±		NAME I-PORT ASSEMBLY, TYPE B, STRAIGHT EXIT I-PORT, INVERTED. PRODUCT SPEC - APPLICATION SPEC -
MATERIAL -		WEIGHT -		SIZE A1 CAGE CODE - DRAWING NO. ©=2821722 RESTRICTED TO -
FINISH -		CUSTOMER DRAWING		SCALE 2:1 SHEET 2 OF 2 REV B