

THIS INFORMATION IS CONFIDENTIAL AND PROPRIETARY TO CW INDUSTRIES INCORPORATED AND ITS AFFILIATES. IT MAY NOT BE DISCLOSED TO ANYONE, OTHER THAN CW INDUSTRIES PERSONNEL, WITHOUT WRITTEN AUTHORIZATION FROM CW INDUSTRIES INCORPORATED, SOUTHAMPTON, PENNSYLVANIA, USA.

E  
D  
C  
B  
A

DIMENSIONS IN INCHES (MILLIMETERS)  
DO NOT SCALE DRAWING .....

Dwg. No.  
**CWR-142-XX-0003**

**NOTES:**

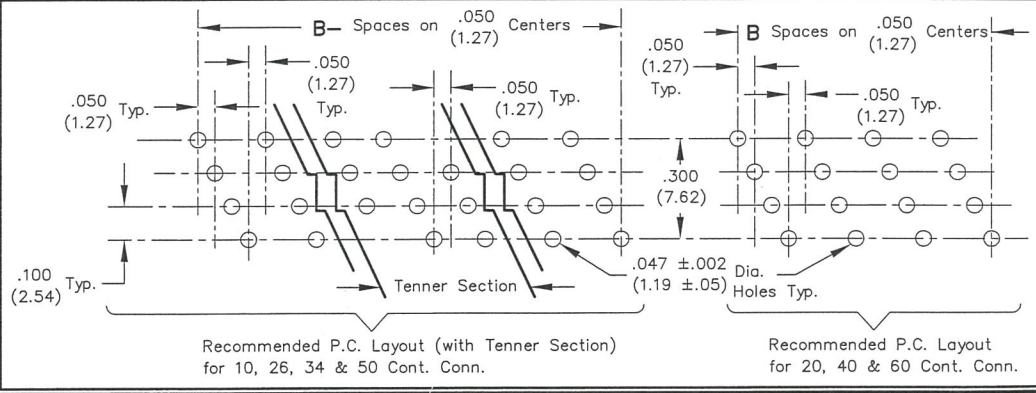
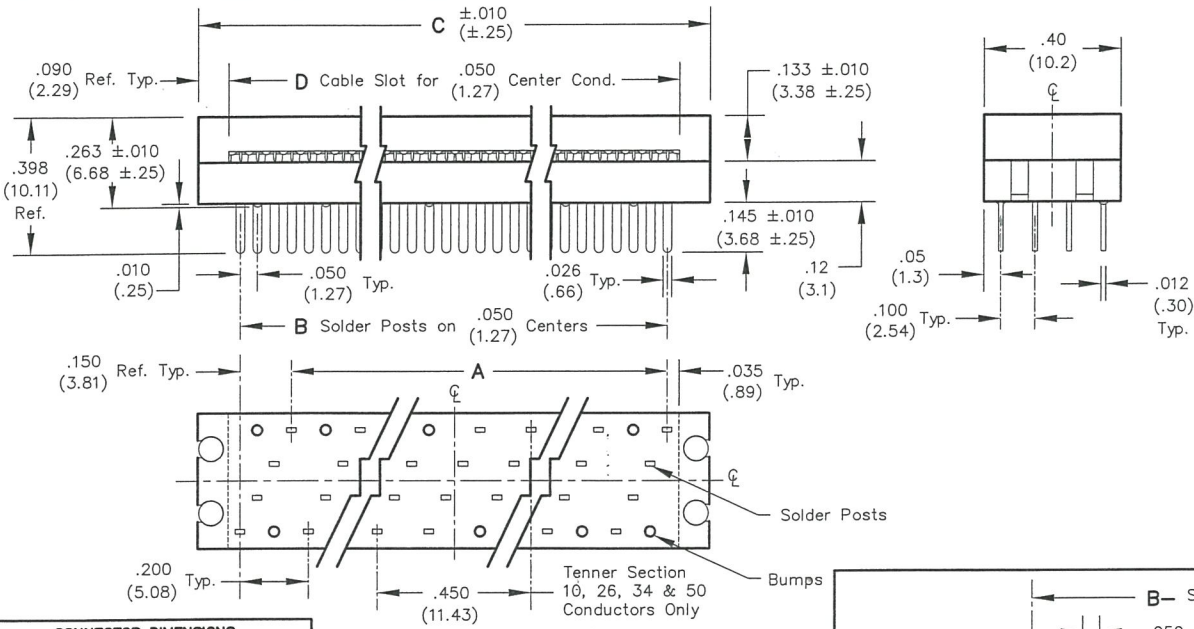
1. Dimensions are in inches; dimensions in ( ) are in millimeters.
2. Metric equivalents are given for general information only, and are based upon 1.00 inches equals 25.4 millimeters.
3. Unless otherwise specified, tolerance are  $\pm 0.005$  ( $\pm 0.13$ ) for three place decimals, and  $\pm 0.01$  ( $\pm 0.3$ ) for two place decimals.

**MATERIALS:**

PLASTIC PARTS - UL94V-0 Thermoplastic (blue, standard) flame retardant.  
CONTACTS - Phosphor bronze, standard;  
CONTACT PLATING- .000100 Solder over .000050 Nickel, Std.

**OPERATING STANDARDS:**

TEMPERATURE RATING - 120°C.  
CONTACT RATING - 1 Ampere.  
DIELECTRIC STRENGTH - Over 500 V.D.C. AT SEA LEVEL.  
CONDUCTORS ACCEPTED - 28-30 AWG solid or stranded.



CONNECTOR DIMENSIONS				
No. Conds. -XX	A	B	C	D
10	.450 (11.43)	.700 (17.78)	.520 (13.21)	
20	.800 (20.32)	.950 (24.13)	1.200 (30.48)	1.020 (25.91)
26	1.100 (27.94)	1.250 (31.75)	1.500 (38.10)	1.320 (33.53)
34	1.500 (38.10)	1.650 (41.91)	1.900 (48.26)	1.720 (43.69)
40	1.800 (45.72)	1.950 (49.53)	2.200 (55.88)	2.020 (51.31)
50	2.300 (58.42)	2.450 (62.23)	2.700 (68.58)	2.520 (64.01)
60	2.800 (71.12)	2.950 (74.93)	3.200 (81.28)	3.020 (76.71)

**CUSTOMER DRAWING**

1 2 3 4 5 6 7 8 9 10

B-FORMAT 2002  
REVISIONS  
DCW 7-19-2012  
JL 30 2012

**ATTENTION**  
THIS DRAWING AND ITS ATTACHMENTS, IF ANY, ARE PROPRIETARY TO CW INDUSTRIES AND DESCRIBE DESIGNS THAT ARE CONFIDENTIAL AND MUST NOT BE DISCLOSED UNLESS AUTHORIZED, IN WRITING, BY AN OFFICER OF CW INDUSTRIES.....

**CW INDUSTRIES**  
Southampton, Pa. 18966

TOLERANCES UNLESS OTHERWISE SPECIFIED

2 Place Decimal $\pm 0.010$	METRIC
3 Place Decimal $\pm 0.005$	1 Place Dec. $\pm 0.25$ mm
Angles ..... $\pm 1^\circ$	2 Place Dec. $\pm 0.13$ mm

Made for: CW IND.  
Drawn by: DGW 7-19-2012  
Checked by: G. Guld 7-20-12  
Approval: G. Guld 7-20-12

Title: P.C.B. CONNECTOR  
1.145" SOLDER POSTS  
W/O/ S/R/ & COVER LIPS

Division: CONNECTOR

Dwg. No. CWR-142-XX-0003

**MASTER**