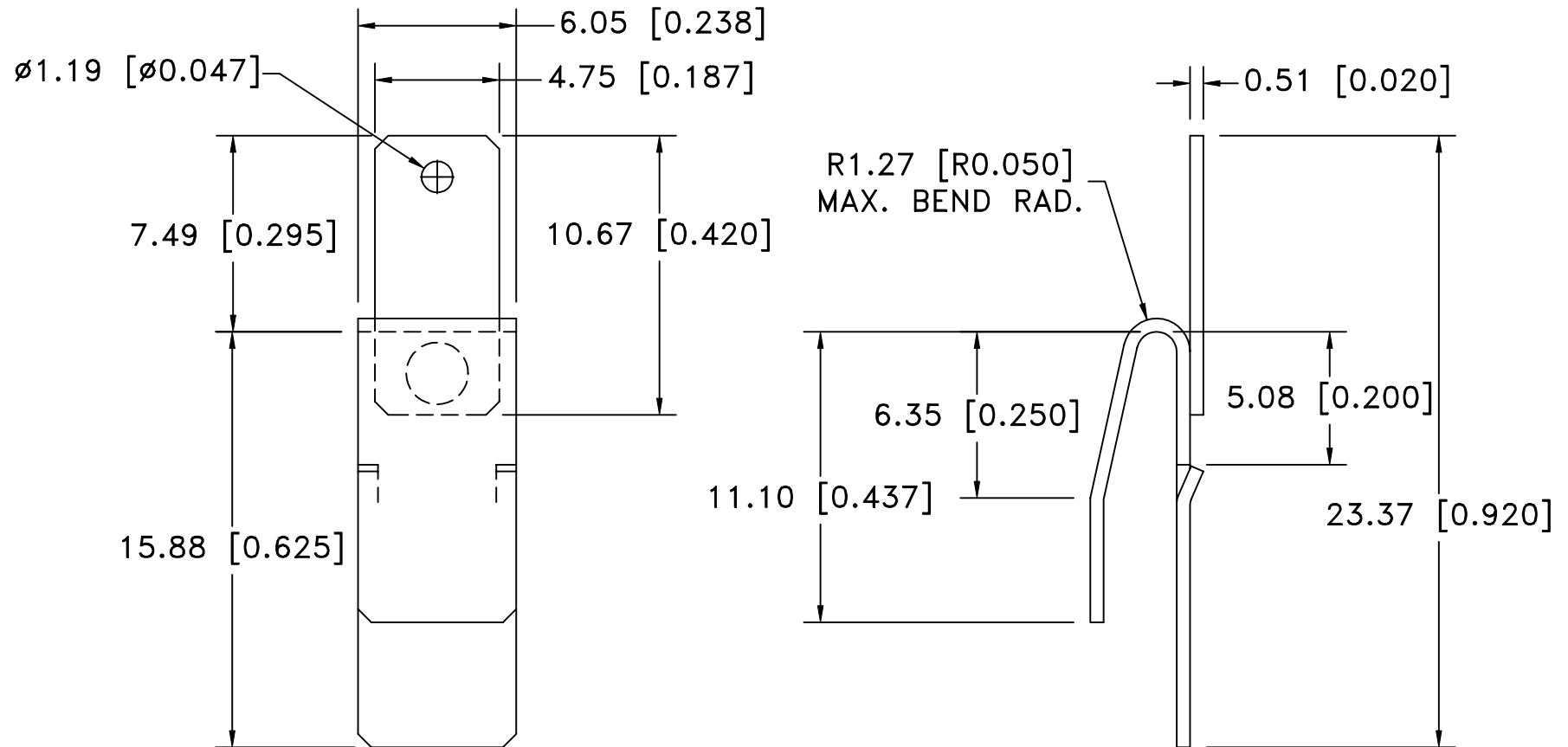



| Date | SYM | REVISION RECORD | AUTH | DR. | CK. |
|------|-----|-----------------|------|-----|-----|
| | | | | | |
| | | | | | |
| | | | | | |



NOTES:

1. MATERIAL: 0.51mm (0.020") THICK STAINLESS STEEL (302 OR 304)
2. FINISH: ELECTROLESS NICKLE PLATE, 0.0001"-0.0003" THICK

| | | | |
|--------------------------------|---|------------------|--|
| Tolerance (Except as noted) |  Memory Protection Devices, Inc 200 Broad Hollow Road, Farmingdale, New York 11735 | | |
| decimal ±.5 (.020) | Scale | Drawn By B.S. | |
| Fractional ± .8 (.030) | Title | Approved By T.B. | |
| Angular ± 3° | Date | Drawing Number | |
| | 05/25/01 | BH2/3TER-T | |