

1 2 3 4 5 6 7

A

B

C

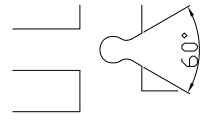
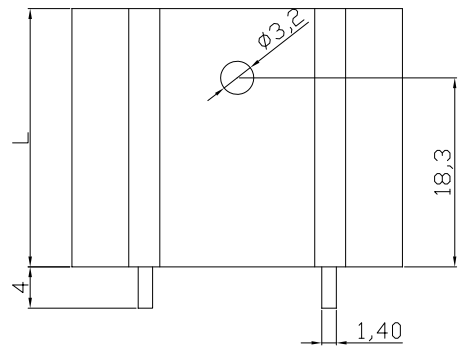
D

E

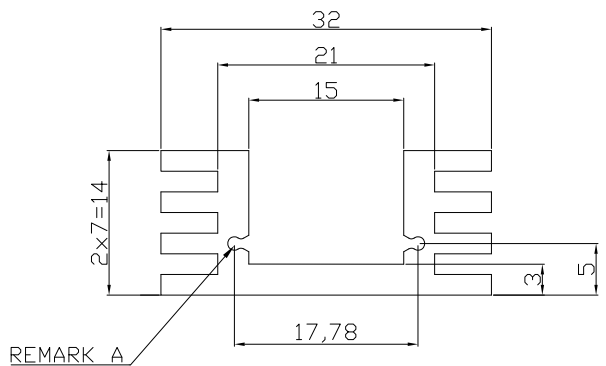
F

G

H



REMARK A
2 : 1



Notes
Material : AL6063-T5
Finished : Black Anodized
UNSPECIFIED R=0.3MM

Option	L	Thermal resistance(K/W)
V5229W	25	12.5
V5229X	37.5	10
V5229Y	50	8.5

RoHS compliant
Unit: mm

Scale	Free					Date	Name	
TOLERANCE						Drawn	11.08.2009	Dean
X.	±X					Approved	07.06.2013	Amy
X.X	±X							
UNIT	±0.2	③	Change production plant	07.06.2013	Amy			
DIM	Tol	②	Modify drawing layout	10.03.2010	Alex			
X.°	±X°	①	Drawn	11.08.2009	Dean			
X.X°	±X°							
Angle	TOL	Id.	Modification	Date	Name			

Customer-No.	
ASSMANN WSW-No. V5229x	
Drawing-No. ASS 0871 HS	rev03
Replace	Sheet

1 2 3 4 5 6 7