

# NHD-10.1-1024600AF-LSXV#

## TFT (Thin-Film-Transistor) Color Liquid Crystal Display Module

NHD-	Newhaven Display
10.1-	10.1" Diagonal
1024600-	1024xRGBx600 Pixels
AF-	Model
L-	LVDS Interface
S-	High Brightness, White LED Backlight
X-	TFT
V-	MVA, Transmissive, Standard Temperature
#-	<b>RoHS Compliant</b>

**Newhaven Display International, Inc.**

2661 Galvin Ct.

Elgin IL, 60124

Ph: 847-844-8795

Fax: 847-844-8796

[www.newhavendisplay.com](http://www.newhavendisplay.com)

[nhtech@newhavendisplay.com](mailto:nhtech@newhavendisplay.com)

[nhsales@newhavendisplay.com](mailto:nhsales@newhavendisplay.com)

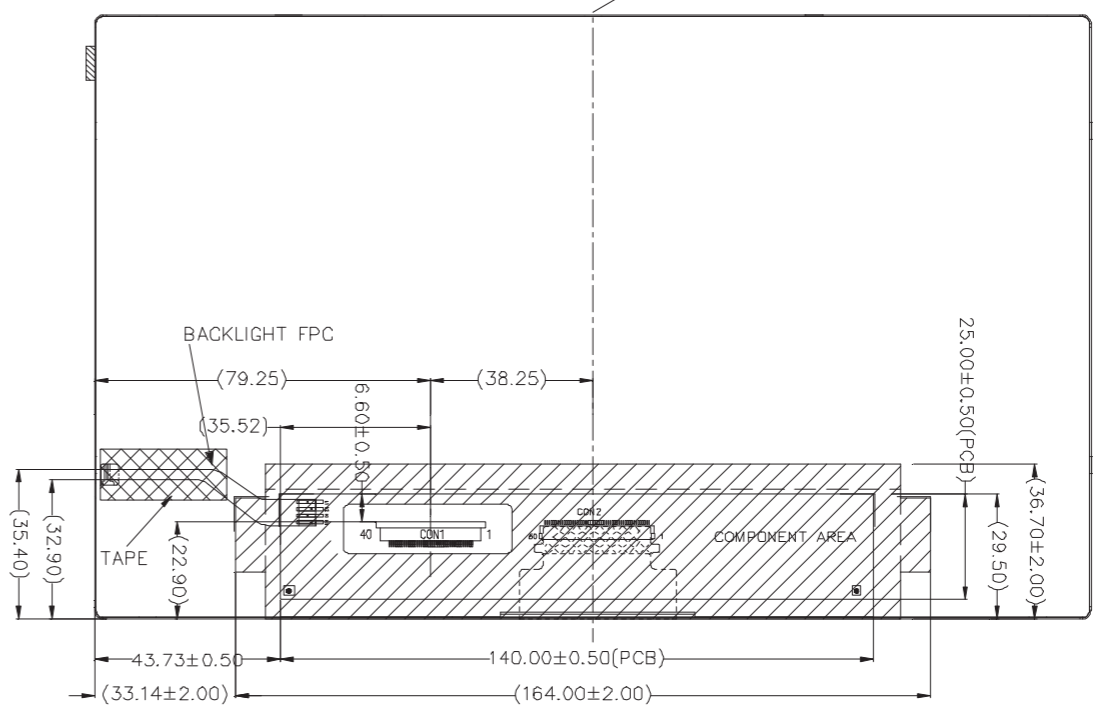
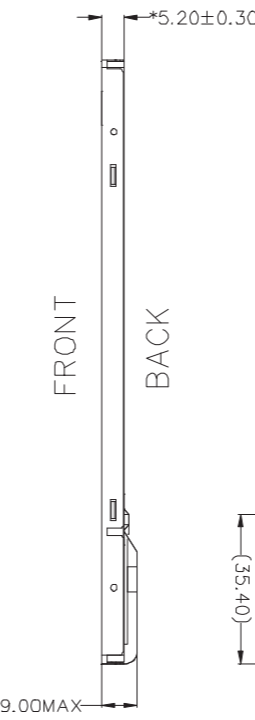
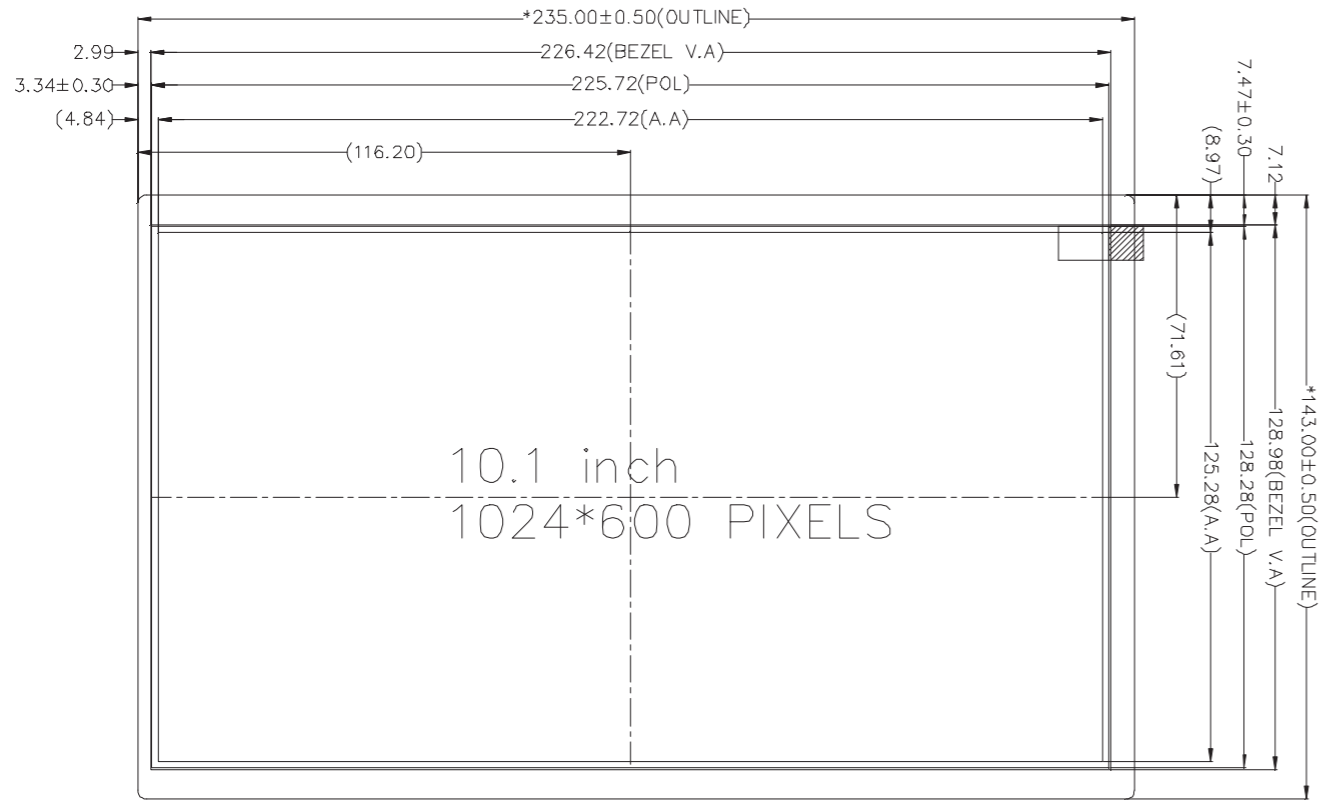
## Document Revision History

Revision	Date	Description	Changed by
0	5/17/17	Initial Release	SB
1	8/14/17	Backlight Characteristics Added, Pin Descriptions Updated	SB
2	3/6/18	Electrical & Optical Characteristics Updated	SB

## Functions and Features

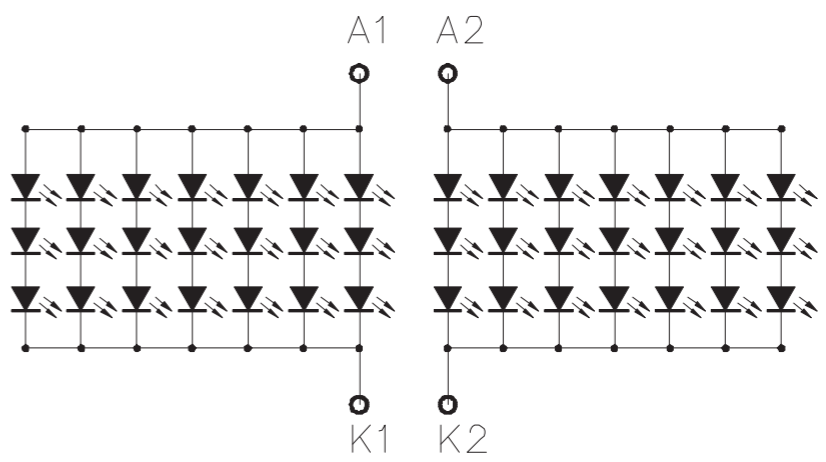
- 1024xRGBx600 Resolution
- LED Backlight
  - Built In-LED Driver
  - PWM Brightness Control
- LVDS Interface
  - 4 LVDS Channels
- 262K Colors
- Wide Viewing Angles

SYMBOL	REVISION	DATE



**Pin Assignment**

PIN No.	SYMBOL
1	GND
2	VDD
3	VDD
4	V_EDID
5	GND
6	SCL
7	SDA
8	Rin0-
9	Rin0+
10	GND
11	Rin1-
12	Rin1+
13	GND
14	Rin2-
15	Rin2+
16	GND
17	CLKIN-
18	CLKIN+
19	GND
20	Rin3-
21	Rin3+
22	GND
23	INSEL
24	GND
25	GND
26	UPDN
27	SHLR
28	GND
29	RESET
30	STBYB
31	LED-GND
32	LED-GND
33	LED-GND
34	GND
35	LED_PWM
36	LED_EN
37	BIST
38	LED_VDD
39	LED_VDD
40	LED_VDD



- Notes:**
- Display Size: 10.1" TFT
  - Display Resolution: 1024 x 600 Pixels
  - Display Mode: Transmissive / Normally White / Anti-Glare
  - Optimal View: Full View
  - Driver IC: HX8282 - LVDS Interface
  - Power Supply Voltage: 3.3V
  - Backlight: White LED
  - Luminance: 850 cd/m<sup>2</sup> (Typ)

STANDARD TOLERANCES (UNLESS OTHERWISE SPECIFIED) LINEAR: XX. $\pm 0.3$ mm XX.X $\pm 0.3$ mm XX.XX $\pm 0.3$ mm		
	DRAWING/PART NUMBER: <b>NHD-10.1-1024600AF-LSXV#</b>	
UNLESS OTHERWISE SPECIFIED - DIMENSIONS ARE IN MILLIMETERS - THIRD ANGLE PROJECTION	DRAWN BY: S. Baxi	CHECKED BY: S. Baxi
	APPROVED DATE: 03/06/18	APPROVED BY: T. Tung
DO NOT SCALE DRAWING		SHEET 1 OF 1
THIS DRAWING IS SOLELY THE PROPERTY OF NEWHAVEN DISPLAY INTERNATIONAL, INC. THE INFORMATION IT CONTAINS IS NOT TO BE DISCLOSED, REPRODUCED OR COPIED IN WHOLE OR PART WITHOUT WRITTEN APPROVAL FROM NEWHAVEN DISPLAY.		

## Pin Description

Pin No.	Symbol	Connection	Function Description
1	GND	Power Supply	Ground
2-3	V <sub>DD</sub>	Power Supply	Supply voltage for LCD (+3.3V)
4	V <sub>EDID</sub>	Power Supply	Supply voltage for EDID (+3.3V)
5	GND	Power Supply	Ground
6	SCL	MPU	Serial Clock
7	SDA	MPU	Serial Data
8	Rin0-	MPU	-LVDS differential data input CH0
9	Rin0+	MPU	+LVDS differential data input CH0
10	GND	Power Supply	Ground
11	Rin1-	MPU	-LVDS differential data input CH1
12	Rin1+	MPU	+LVDS differential data input CH1
13	GND	Power Supply	Ground
14	Rin2-	MPU	-LVDS differential data input CH2
15	Rin2+	MPU	+LVDS differential data input CH2
16	GND	Power Supply	Ground
17	CLKIN-	MPU	-LVDS differential Clock
18	CLKIN+	MPU	+LVDS differential Clock
19	GND	Power Supply	Ground
20	Rin3-	MPU	-LVDS differential data input CH3
21	Rin3+	MPU	+LVDS differential data input CH3
22	GND	Power Supply	Ground
23	INSEL (HSD)	MPU	Data Input Format: INSEL = L 8-Bit LVDS Input (Default) INSEL = H 6-Bit LVDS Input
24-25	GND	Power Supply	Ground
26	UPDN	MPU	Gate Driver Up/Down Scan Setting: UPDN = H: Reverse Scan UPDN = L: Normal Scan (Default)
27	SHLR	MPU	Gate Driver Left/Right Scan Setting: SHLR = H: Normal Scan (Default) SHLR = L: Reverse Scan
28	GND	Power Supply	Ground
29	RESET	MPU	Active Low Reset Signal
30	STBYB	MPU	Active Low Standby Signal
31-33	LED_GND	Power Supply	Ground for Backlight Driver
34	GND	Power Supply	Ground
35	LED_PWM	MPU	Backlight PWM Signal Input (See Table Below)
36	LED_EN	MPU	Backlight Enable H: Backlight ON; L: Backlight OFF
37	BIST	MPU	Built in Self-Test BIST = H: Self-Test Enabled BIST = L: Normal Operation (Default)
38-40	LED_V <sub>DD</sub>	Power Supply	Supply Voltage for Backlight Driver

**LCD connector:** 0.5mm pitch 40-Conductor FFC.

**Recommended cable:** 40 POS FFC      **Molex P/N:** 15020-0435

### LED\_PWM Signal Operating Frequency:

PWM Frequency (F)	Duty Cycle (Min.)	Duty Cycle (Max.)
100Hz < F < 500Hz	5%	100%
500Hz < F < 20KHz	10%	100%

## Electrical Characteristics

Item	Symbol	Condition	Min.	Typ.	Max.	Unit
Operating Temperature Range	T <sub>OP</sub>	Absolute Max	0	-	+50	°C
Storage Temperature Range	T <sub>ST</sub>	Absolute Max	-20	-	+60	°C
Supply Voltage for LCD	V <sub>DD</sub>	-	3.0	3.3	3.6	V
Supply Voltage for EDID	V <sub>EDID</sub>	-	3.0	3.3	3.6	V
Supply Current for LCD	I <sub>DD</sub>	V <sub>DD</sub> = 3.3V	50	120	180	mA
"H" Level Input	V <sub>IH</sub>	-	0.7 * V <sub>DD</sub>	-	V <sub>DD</sub>	V
"L" Level Input	V <sub>IL</sub>	-	GND	-	0.3 * V <sub>DD</sub>	V
"H" Level Output	V <sub>OH</sub>	-	V <sub>DD</sub> - 0.4	-	V <sub>DD</sub>	V
"L" Level Output	V <sub>OL</sub>	-	GND	-	GND + 0.4	V
Supply Voltage for Backlight Driver	LED_V <sub>DD</sub>	-	4	7	7.3	V
Supply Current for Backlight Driver <sup>1</sup>	LED_I <sub>DD</sub>	-	450	900	1400	mA
Backlight Driver Current Output	I <sub>D</sub>	-	380	420	460	mA
Backlight Driver Voltage Output	V <sub>D</sub>	I <sub>D</sub> = 420 mA	8.4	9.6	10.5	V
Backlight Enable & PWM Voltage	LED_EN = LED_PWM	-	2.5	3.3	5.5	V
Backlight Lifetime <sup>2</sup>	-	I <sub>D</sub> = 420mA T <sub>OP</sub> = 25° C	20,000	50,000	-	Hrs.

<sup>1</sup>Minimum supply current occurs when supply voltage is at max; maximum supply current when supply voltage is at minimum.

<sup>2</sup>Backlight lifetime is rated as Hours until **half-brightness**, under normal operating conditions.

## Optical Characteristics

Item	Symbol	Condition	Min.	Typ.	Max.	Unit	
Optimal Viewing Angles	Top	Cr ≥ 10	-	75	-	°	
	Bottom		-	75	-	°	
	Left		-	75	-	°	
	Right		-	75	-	°	
Contrast Ratio	Cr	-	450	750	-	-	
Luminance	L <sub>V</sub>	I <sub>D</sub> = 420mA	600	850	1000	cd/m <sup>2</sup>	
Response Time	Rise + Fall	T <sub>R</sub> + T <sub>F</sub>	T <sub>OP</sub> = 25° C		-	8	ms
Chromaticity	Red	X <sub>R</sub>	-	0.565	0.605	0.635	-
		Y <sub>R</sub>	-	0.309	0.349	0.379	-
	Green	X <sub>G</sub>	-	0.286	0.326	0.356	-
		Y <sub>G</sub>	-	0.565	0.605	0.635	-
	Blue	X <sub>B</sub>	-	0.112	0.152	0.182	-
		Y <sub>B</sub>	-	0.075	0.115	0.145	-
White	X <sub>W</sub>	-	0.257	0.297	0.327	-	
	Y <sub>W</sub>	-	0.283	0.323	0.353	-	

## Driver Information

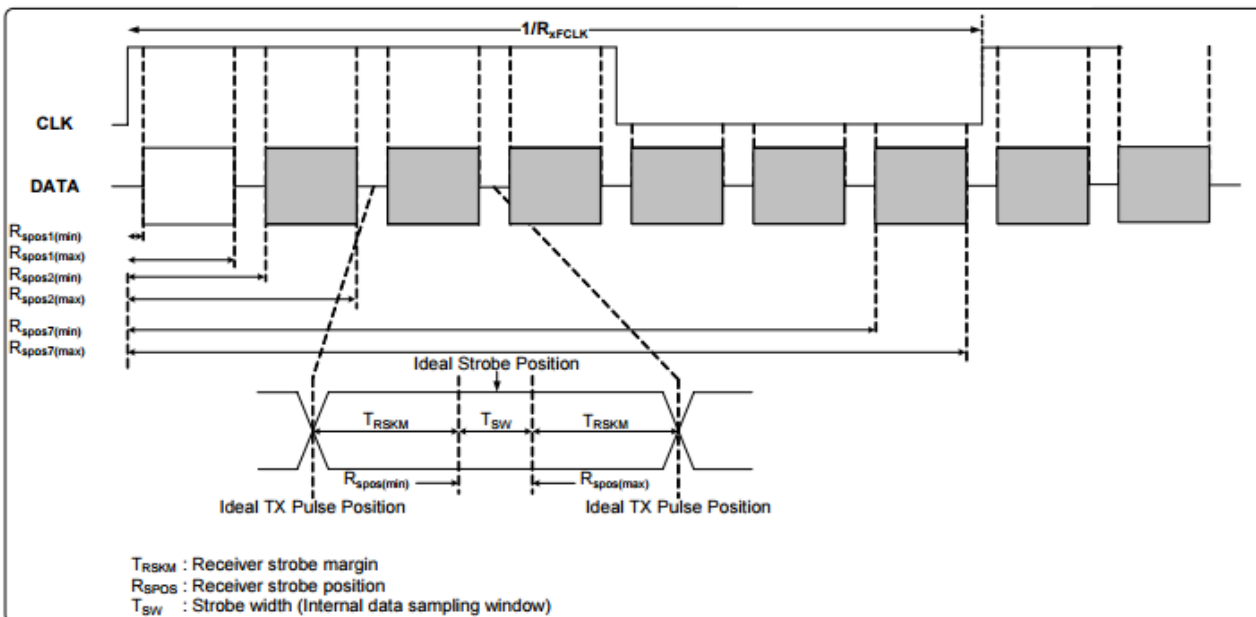
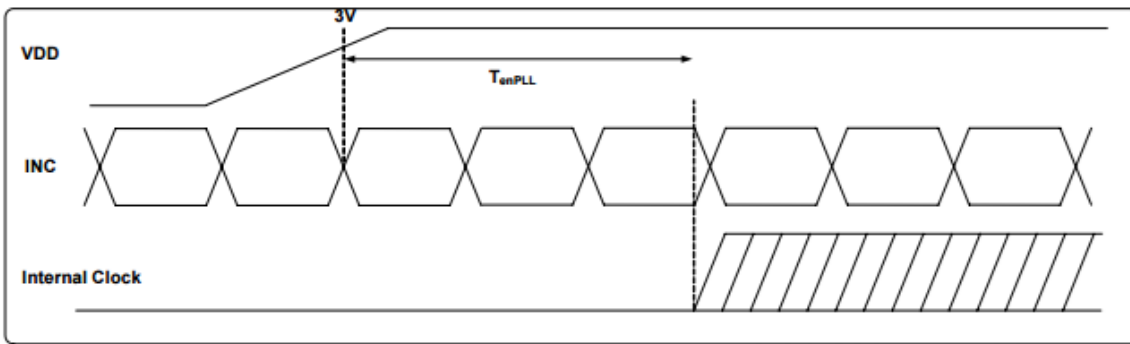
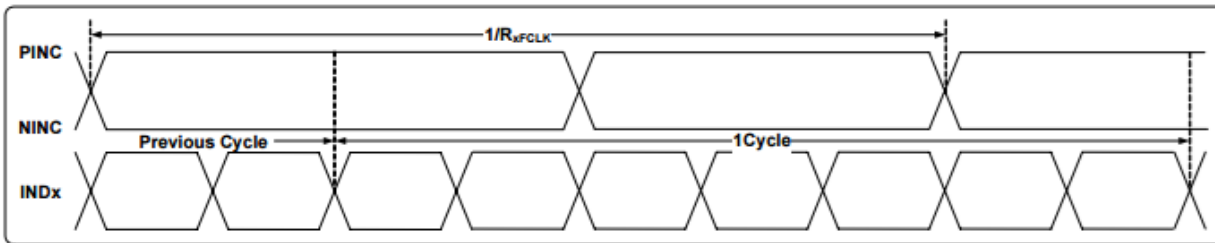
Built-in HX8282 Source Driver: <http://www.newhavendisplay.com/appnotes/datasheets/LCDs/HX8282-A01.pdf>

Built-in HX8696 Gate Driver: <http://www.newhavendisplay.com/appnotes/datasheets/LCDs/HX8696-A.pdf>

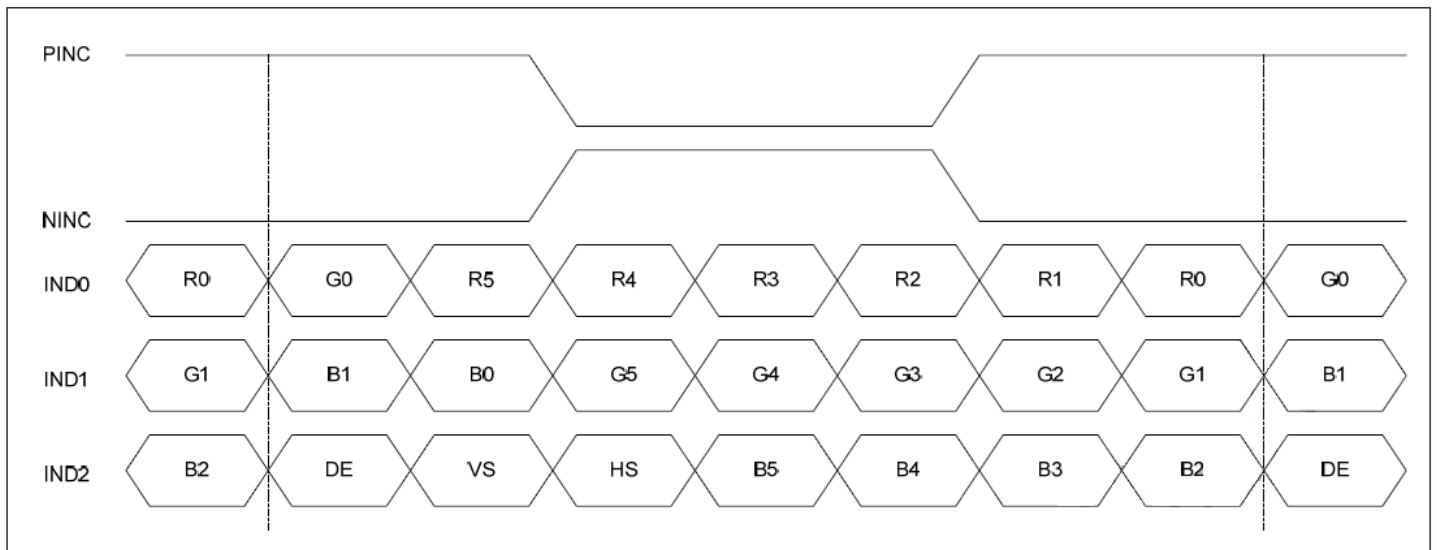
# Timing Characteristics

Parameter	Symbol	Spec			Unit	Condition
		Min.	Typ.	Max.		
Clock frequency	R <sub>XFLK</sub>	20	-	71	MHz	-
Input data skew margin	T <sub>RSKM</sub>	500	-	-	pS	VID  = 400mV R <sub>XVCM</sub> = 1.2V R <sub>XFLK</sub> = 71MHz
Clock high time	T <sub>LVCH</sub>	-	4/(7 * R <sub>XFLK</sub> )	-	nS	-
Clock low time	T <sub>LVCL</sub>	-	3/(7 * R <sub>XFLK</sub> )	-	nS	-
PLL wake-up time	T <sub>emPLL</sub>	-	-	150	μS	-

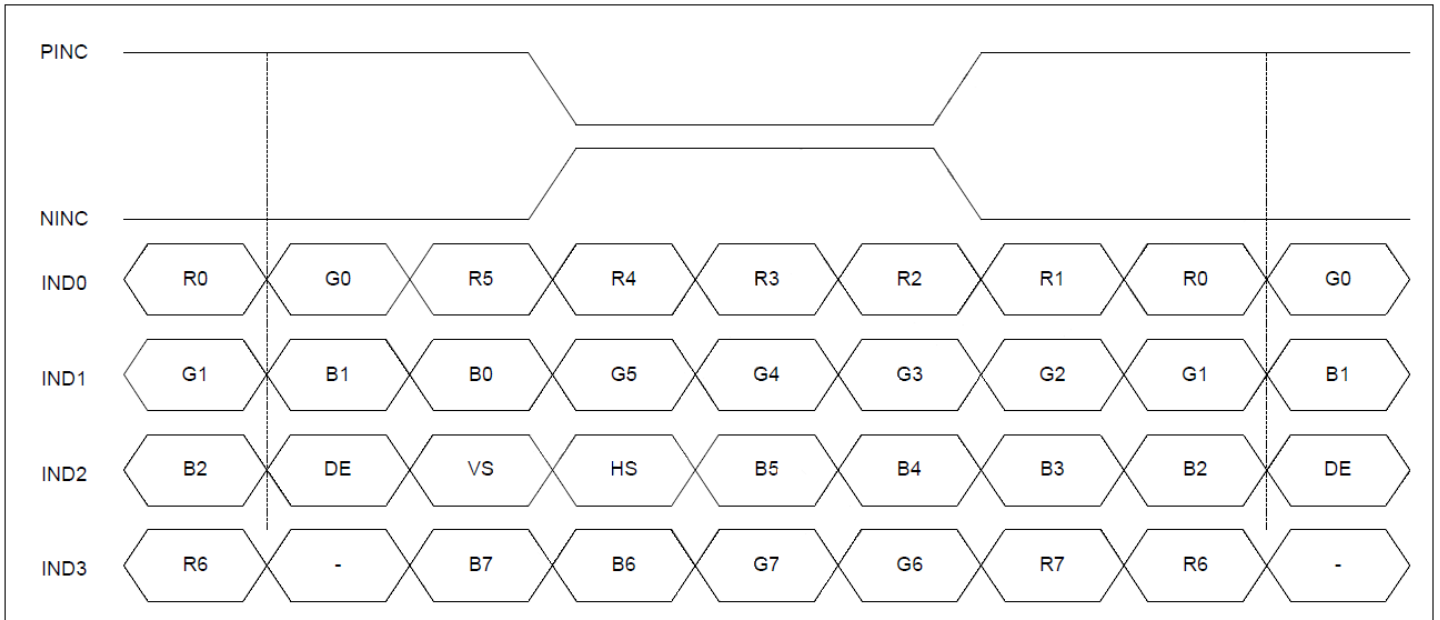
Parameter	Symbol	Spec			Unit	Condition
		Min.	Typ.	Max.		
Modulation Frequency	SSC <sub>MF</sub>	23	-	93	KHz	-
Modulation Rate	SSC <sub>MR</sub>	-	-	±3	%	LVDS Clock = 71 MHz



### 6-bit LVDS data input format:



### 8-Bit LVDS Data Input Format:



## Quality Information

Test Item	Content of Test	Test Condition	Note
High Temperature storage	Endurance test applying the high storage temperature for a long time.	+60°C , 240 hrs.	2
Low Temperature storage	Endurance test applying the low storage temperature for a long time.	-20°C , 240 hrs.	1,2
High Temperature Operation	Endurance test applying the electric stress (voltage & current) and the high thermal stress for a long time.	+50°C, 120 hrs.	2
Low Temperature Operation	Endurance test applying the electric stress (voltage & current) and the low thermal stress for a long time.	0°C , 120 hrs.	1,2
High Temperature / Humidity Operation	Endurance test applying the electric stress (voltage & current) and the high thermal with high humidity stress for a long time.	+50°C , 90% RH , 120 hrs.	1,2
Thermal Shock resistance	Endurance test applying the electric stress (voltage & current) during a cycle of low and high thermal stress.	0°C, 30min->25°C, 5min -> 50°C, 30min 10 cycles	
Vibration test	Endurance test applying vibration to simulate transportation and use.	10-55Hz , 1.5mm amplitude. 60 sec in each of 3 directions X,Y,Z For 15 minutes	3
Static electricity test	Endurance test applying electric static discharge.	Air: V <sub>s</sub> =8KV, Contact: V <sub>s</sub> =4KV 10 Times	

**Note 1:** No condensation to be observed.

**Note 2:** Conducted after 4 hours of storage at 25°C, 0%RH.

**Note 3:** Test performed on product itself, not inside a container.

## Precautions for using LCDs/LCMs

See Precautions at [www.newhavendisplay.com/specs/precautions.pdf](http://www.newhavendisplay.com/specs/precautions.pdf)

## Warranty Information and Terms & Conditions

[http://www.newhavendisplay.com/index.php?main\\_page=terms](http://www.newhavendisplay.com/index.php?main_page=terms)