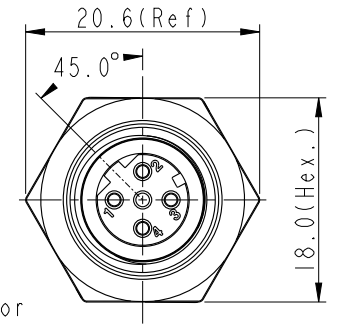
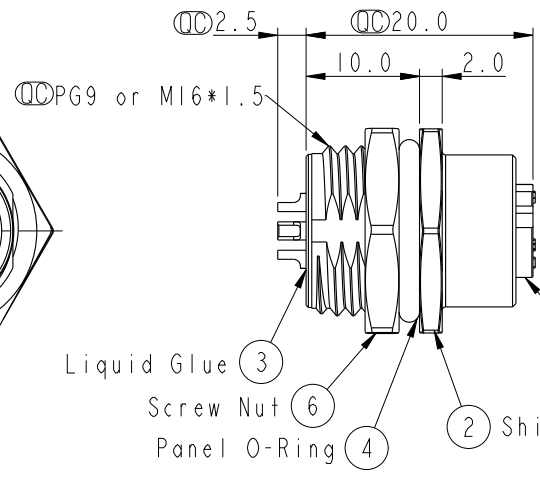
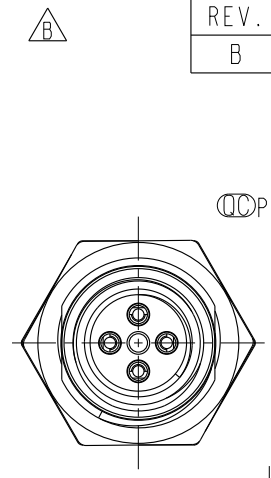
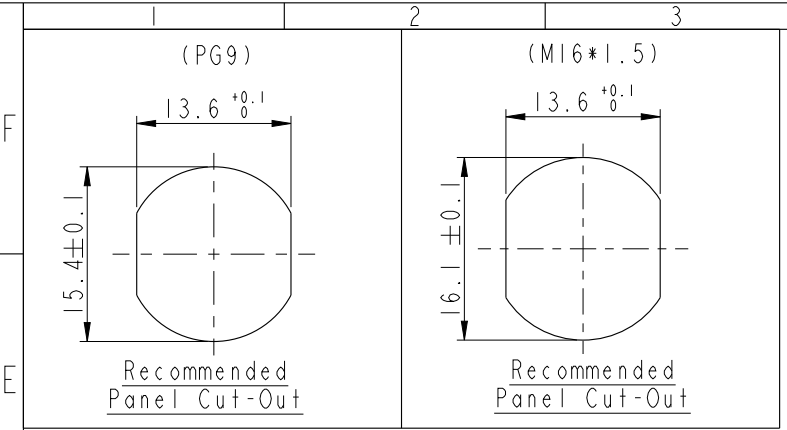


THIS DOCUMENT IS SUBJECT TO CHANGE WITHOUT NOTICE. IT IS CONFIDENTIAL AND A PROPERTY OF AMPHENOL LTW. DISCLOSURE TO THIRD PARTY HAS TO BE AUTHORIZED BY AMPHENOL LTW.

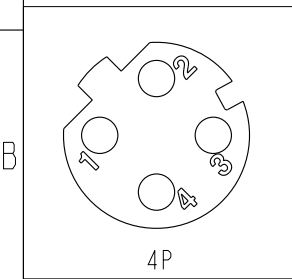
REV.	ECN NO.	DATE	SIGN	DESCRIPTION
B	LEN1580015-016	2015-07-24	Yulong_wang	Change to Share Drawing.



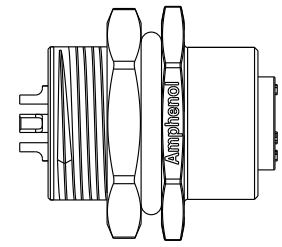
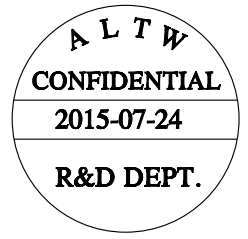
M 12D - 04 P F F S - S H 8 XXX

12D: D-Code  
 04: 4Pin  
 P: Panel (板端)  
 F: Female Connector (母座)  
 F: Female Pin (母Pin)  
 S: Solder Type (焊接式)

001: PG9  
 002: M16\*1.5  
 8: IP68 (防水等级68)  
 H: Rear Fasten (后锁式/Enclosure Front Mount)  
 S: Screw (螺紋式)



4P  
Pin Assignment Front View



- Note:
- \*  $\varnothing$  Important Dimension.
  - \* Waterproof Rate: IP68.
  - \* Housing: Nylon+GF, Black.
  - \* Female Pin: Copper Alloy, Gold Plated.
  - \* Shield: Zinc Alloy, Nickel Plated.
  - \* Screw Nut: Zinc Alloy, Nickel Plated.
  - \* Panel O-Ring: Viton, Black.
  - \* Housing O-Ring: Viton, Green.
  - \* Rated Voltage: 250V dc. or ac.
  - \* Rated Current: 4A
  - \* Operating Temperature: -40~105°C
  - \* For Panel Thickness Max 4.5mm.
  - \* Recommended Nut Torque: 4-6 Kgf.cm.

UNIT: mm		TITLE M12 D-Code Female Conn. Solder Rear Type			ITEM NO ALTW	DRAWN BY Yulong_wang	DATE 2015-07-24
		SCALE 2:1	SIZE A4	SHEET 1 OF 1			
TOLERANCE .X ±0.25 .XX ±0.1 .XXX ±0.05 ANGLES ±1°		REV. B	WC-REV. A.5	Inspection item	DWG NO M12D-04PFFS-SH8XXX	CHECKED BY Cary	DATE 2015-07-24
					CUSTOMER ALTW	APPROVED BY Jerry	DATE 2015-07-24

**Amphenol LTW**  
安費諾亮泰企業股份有限公司