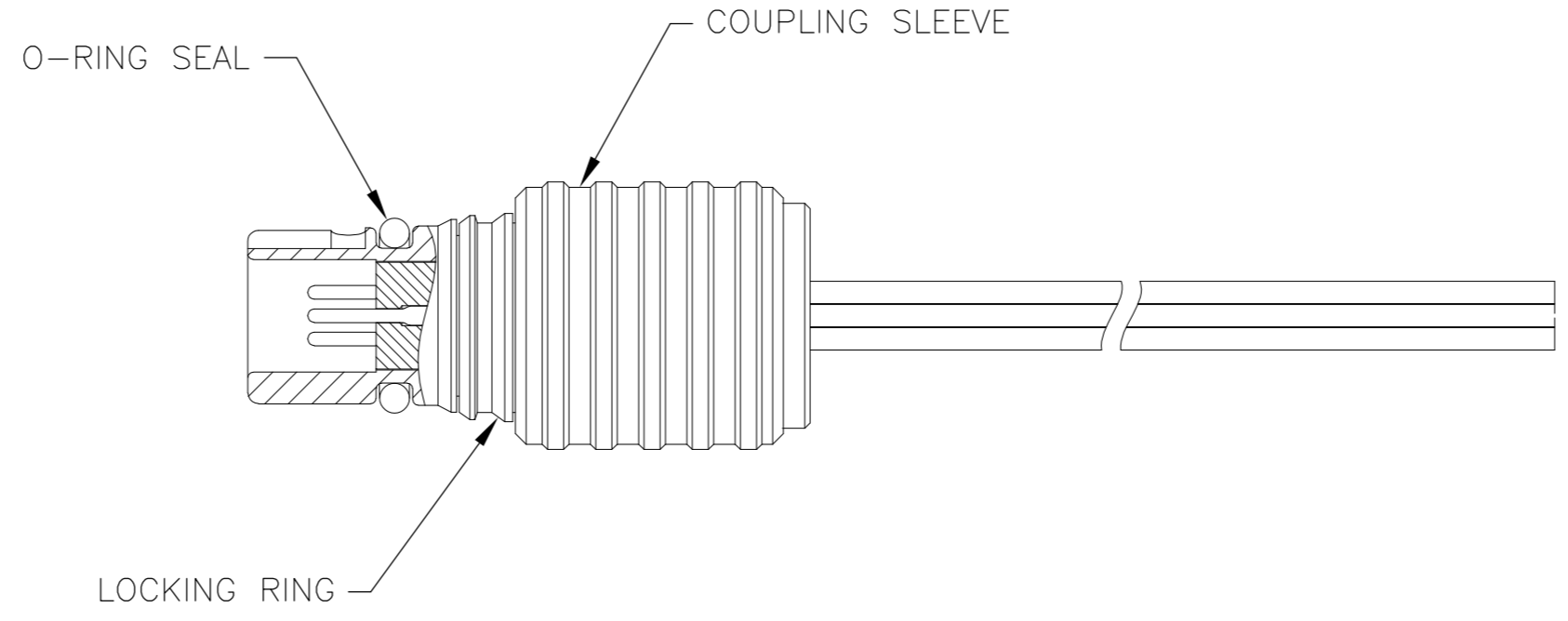
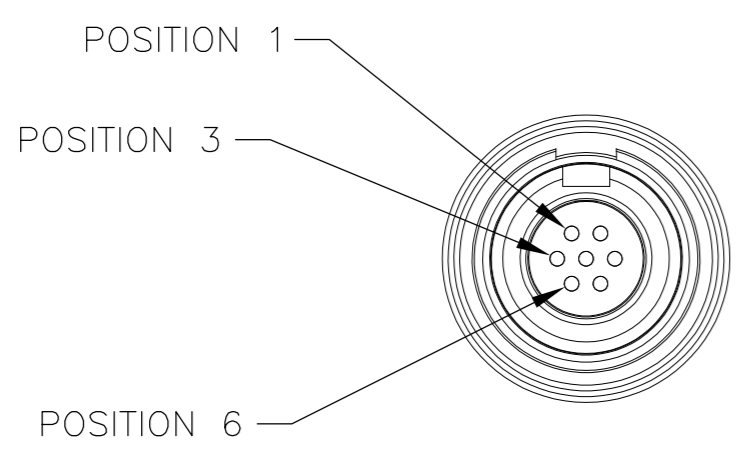
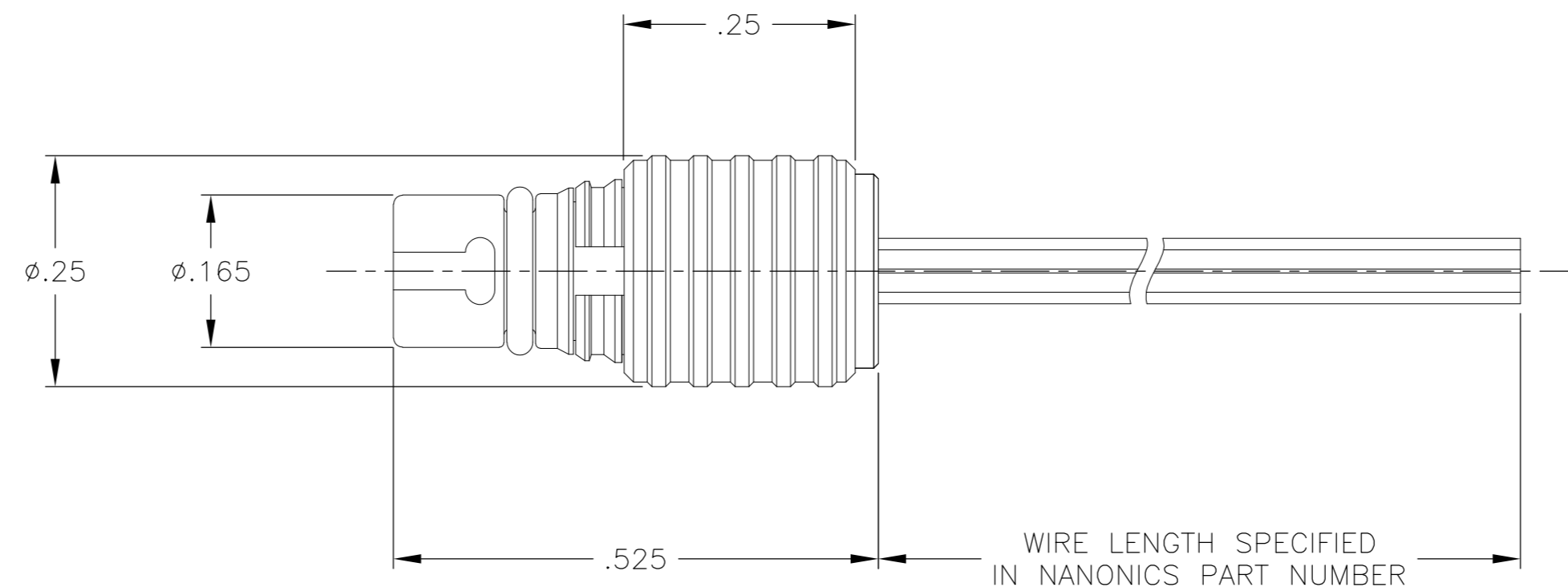
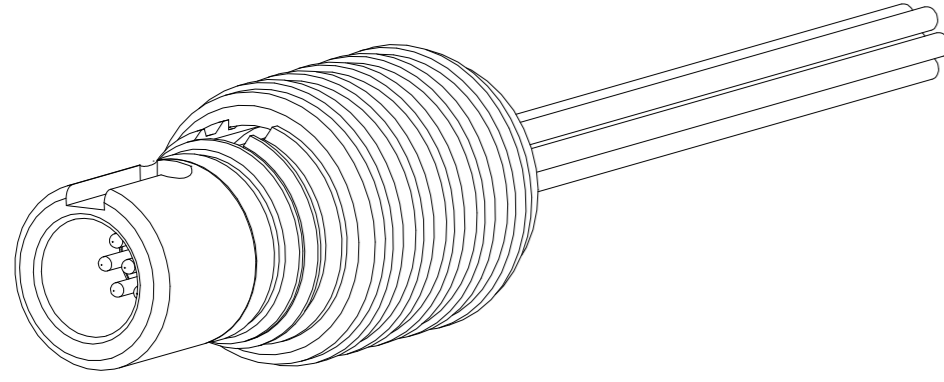


THIS DRAWING IS UNPUBLISHED. RELEASED FOR PUBLICATION  
 © COPYRIGHT - By - ALL RIGHTS RESERVED.

LOC		DIST		REVISIONS			
P	LTR	DESCRIPTION	DATE	DWN	APVD		
	G	UPDATE PER ECO-11-013056	23 JUN 11	CAS	MKS		



1 CONNECTOR BODY AND COUPLING SLEEVE MATERIAL: 6061-T6 ALUMINUM, ELECTROLESS NICKEL PLATED PER SAE-AMS-C-26074 OR SAE-AMS-2404E  
 LOCKING RING MATERIAL: BERYLLIUM COPPER, ELECTROLESS NICKEL PLATED PER SAE-AMS-C-26074 OR SAE-AMS-2404E  
 INSULATOR MATERIAL: LIQUID CRYSTAL POLYMER (LCP) PER ASTM D5138 OR POLYPHENYLENE SULFIDE (PPS) PER ASTM D4067  
 O-RING MATERIAL: FLUOROSILICONE

- 2 WIRE TERMINATION: 28 AWG SOLID, 30 AWG STRANDED WIRE OR SMALLER
- 3 LUBRICATE O-RING WITH PARKER SUPER-O-LUBE PRIOR TO INSTALLATION
- 4 THIS DRAWING ALSO IDENTIFIED AS NANONICS 303-0023

THIS DRAWING IS A CONTROLLED DOCUMENT.		DWN M STORRY 8 APR 99		TE Connectivity																				
DIMENSIONS: INCHES		CHK E PAULUS 8 APR 99		NAME																				
		APVD S KAIN 27 JAN 00		PLUG ASSEMBLY, CIRCULAR, QUICK DISCONNECT, METAL, 7 POSITION																				
<p>TOLERANCES UNLESS OTHERWISE SPECIFIED:</p> <table border="1"> <tr><td>0 PLC</td><td>±</td><td>-</td></tr> <tr><td>1 PLC</td><td>±</td><td>-</td></tr> <tr><td>2 PLC</td><td>±</td><td>.010</td></tr> <tr><td>3 PLC</td><td>±</td><td>.005</td></tr> <tr><td>4 PLC</td><td>±</td><td>-</td></tr> <tr><td>ANGLES</td><td></td><td>± 1°</td></tr> </table>		0 PLC		±	-	1 PLC	±	-	2 PLC	±	.010	3 PLC	±	.005	4 PLC	±	-	ANGLES		± 1°	PRODUCT SPEC	SIZE	CAGE CODE	DRAWING NO
0 PLC	±	-																						
1 PLC	±	-																						
2 PLC	±	.010																						
3 PLC	±	.005																						
4 PLC	±	-																						
ANGLES		± 1°																						
MATERIAL SEE NOTES		FINISH SEE NOTES	APPLICATION SPEC	A2	0JPN9	C=1589055	-																	
CUSTOMER DRAWING			WEIGHT	-	SCALE	6:1	SHEET	1 OF 1	REV	G														