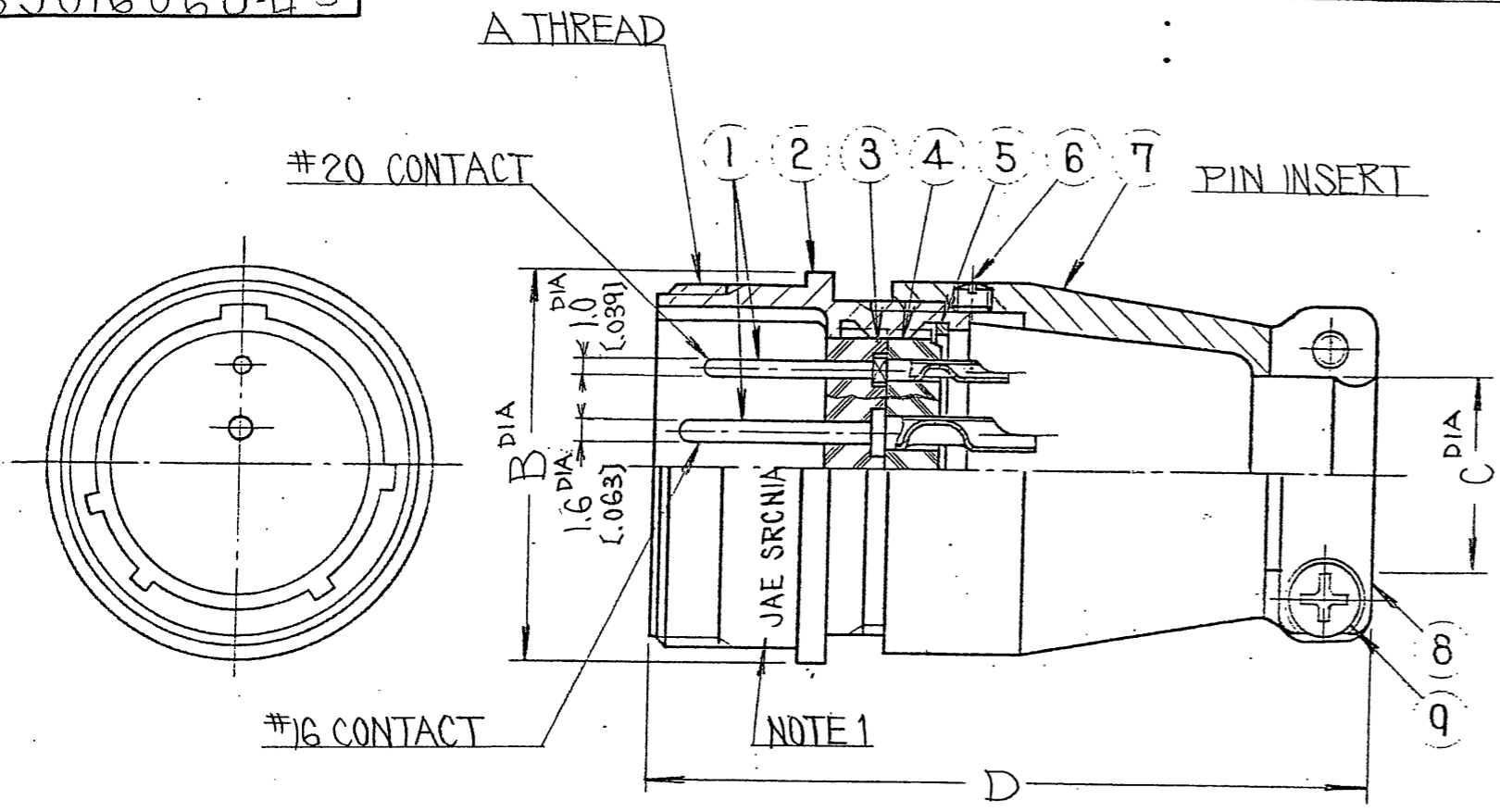


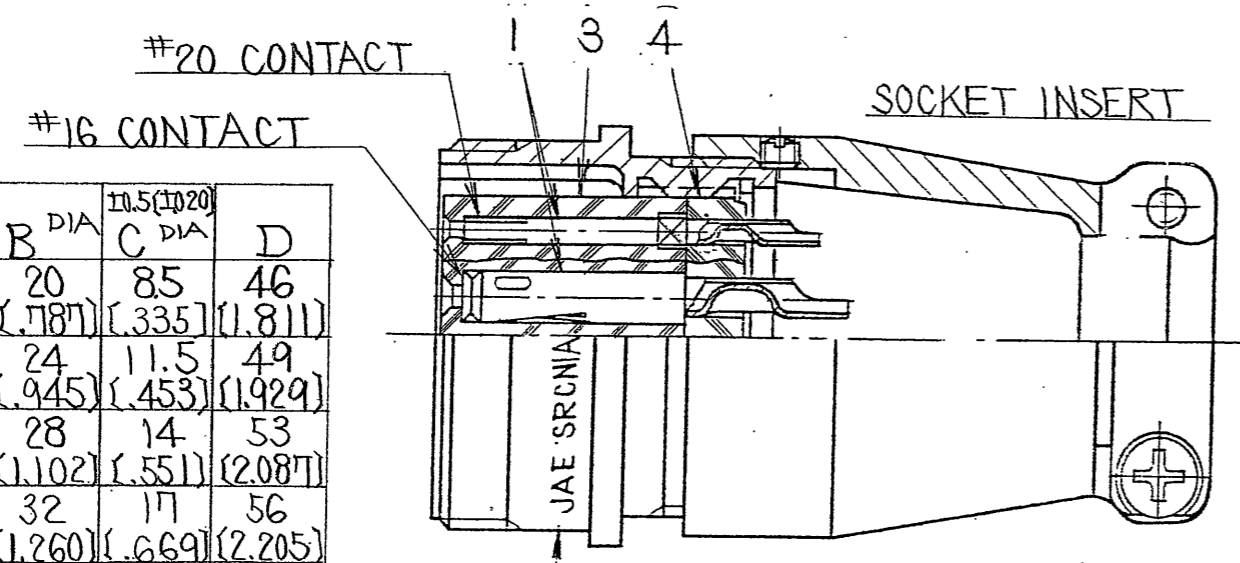
DWG. NO.	SYM.
SJ016060-E	3

SYM.	DCN NO.	DESCRIPTION	DATE	DRAWN	CHECKED	APP'D	APP'D
3	062556	REVISED NOTE	16-MAR-2007	t. takekita	W. Matsumoto	-	A. Onogawa



**IDENTIFICATION**  
 SRCN 1 A \* - \* \* \*  
 (OMIT FOR NORMAL)  
 ALTERNATE INSERT POSITION  
 CONTACT TYPE; P-PIN CONTACT, S-SOCKET CONTACT  
 NUMBER OF CONTACTS  
 SHELL SIZE  
 CLASS  
 SHELL STYLE  
 SERIES PREFIX

**NOTES**  
 1. METAL STAMPS "JAE" "SRCNIA\* - \* \* \*"  
 2. FOR AVAILABLE INSERT ARRANGEMENTS, ALTERNATE POSITIONS ELECTRICAL SPECIFICATIONS AND CONTACT SIZE, REFER TO SJ014069 OR CONSULT FACTORY.



ITEM	DESCRIPTION	Q'TY	MATERIAL	FINISH	NOTE
9	SCREWS, PAN HEAD	2	STEEL	NICKEL PLATING	
8	SADDLE, CLAMP	1	ALUMINUM ALLOY	SATIN NICKEL PLATING	
7	ENDBELL	1	ALUMINUM ALLOY	SATIN NICKEL PLATING	
6	SLOTTED SET SCREW	1	STEEL	NICKEL PLATING	COLOR: BLACK
5	RING, RETAINING	1	COPPER ALLOY	NICKEL PLATING	
4	INSULATOR, REAR	1	PLASTIC	NONE	UL FLAME CLASS 94V-0
3	INSULATOR, FRONT	1	PLASTIC	NONE	UL FLAME CLASS 94V-0
2	SHELL	1	ALUMINUM ALLOY	SATIN NICKEL PLATING	
1	CONTACTS	-	COPPER ALLOY	SILVER PLATING	SEE NOTE 2

SHELL SIZE	A THREAD	B DIA	C DIA	D
13	M18 P1	10.5 (1.020)	10.5 (1.020)	46
16	M22 P1	14.5 (1.122)	14.5 (1.122)	49
21	M26 P1	18.5 (1.476)	18.5 (1.476)	53
25	M30 P1	22.5 (1.772)	22.5 (1.772)	56

**REQUIREMENTS**  
 TEMPERATURE -25°C ~ +85°C  
 RELATIVE HUMIDITY 85% MAX  
 INSULATION RESISTANCE 1000 MΩ MIN (AT DC 500V)

NOTE 1

UNLESS OTHERWISE SPECIFIED		DATE	5-26-1981
DIMENSIONS ARE IN MILLIMETERS		DRAWN	M. Komatsu
TOLERANCES ON: (INCHES)		CHECKED	M. Inoue, M. Shibuya
FRACTIONS	DECIMALS .XX	APP'D	H. Kawamura
	±.2   ±.08   ±.02	APP'D	T. Yajima
	(±.01)   (±.03)   (±.008)		
ANGLES			
±1/2°			
TREATMENT OR FINISH			

TITLE		JAE-CONNECTOR.COM	
CONNECTOR PLUG ELECTRICAL		JAPAN AVIATION ELECTRONICS	
CABLE - CONNECTING		IND. CO. LTD.	
SRCN 1A		Reference Only	
SCALE NONE		NAKAGAMI-CHO, AKISHIMA-SHI	
DWG. SIZE B		TOKYO, JAPAN	
WT.		DWG. NO.	
SHEET		SJ016060-E	

NEXT ASS'Y	USED ON	NEXT ASS'Y	FINAL ASS'Y
APPLICATION		QT'Y	REQ'D