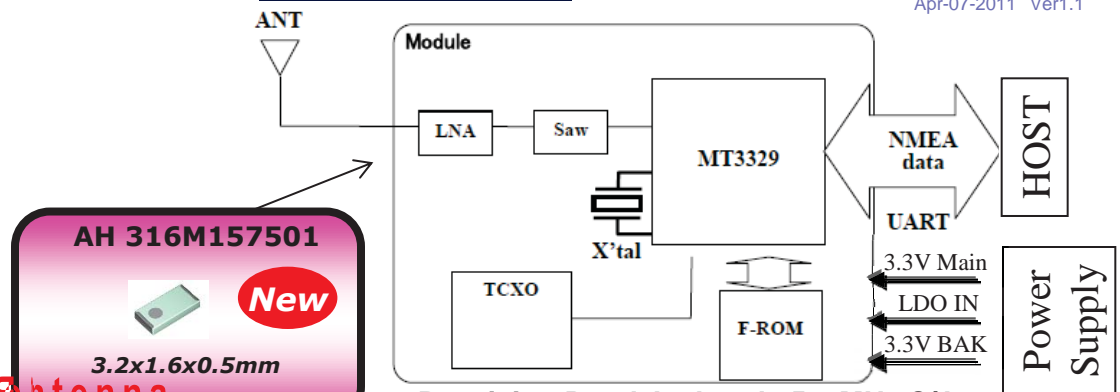


## Features GYSFFMAXX

- GPS Performance : NMEA Output
- Re-acquisition Sensitivity : -161dBm
- Tracking Sensitivity : -164dBm
- TTFF (Time To First Fix) : 1Sec @-130dBm
- A-GPS support
- SBAS, Extended Ephemeris support (BEE,EPO)
- Interface : UART
- Built-in High accuracy TCXO :0.5 ppm (16.368MHz)
- Built-in Ultra Low Noise AMP :0.7dB Noise Figure
- Built-in RTC : 32.768kHz
- Small Outline: 10.8 x 10.0 x 2.0(Max) mm
- Package: Metal case package
- RoHS Conformity

## Block Diagram

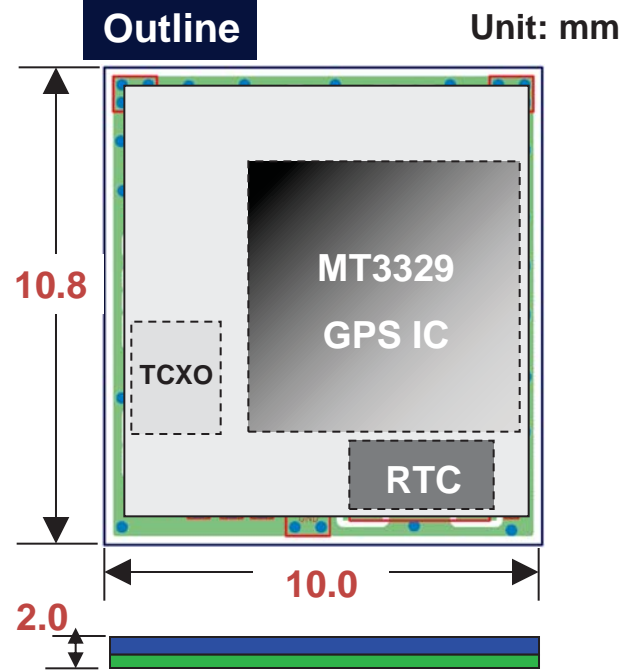


Receiving Band:L1 band 1574MHz C/A  
 Low IF:4.092MHz  
 OSC Freq:3142.656MHz

## General Electrical Specification

No	Parameter	Symbol	Spec			Unit	Remark
			Min	Typ	Max		
1	Frequency	Fc		1575.42		MHz	C/A code
2	Intermediate frequency	IF		4.092		MHz	
3	Image Rejection Ratio	IRR		30		dB	
4	VCO Oscillation Frequency	Fosc		3142.656		MHz	
5	Noise Figure	NF		1.0	1.6	dB	
6	Sensitivity	Hs		-161	-157	dBm	Hot start sensitivity
		Ws		-147	-144		Warm start sensitivity
		Cs		-145	-142		Cold start sensitivity
		Ts		-164	-161		Tracking sensitivity
7	TTFF	Ht		1.2	2.0	sec	Hot start @-135dBm
		Wt		34	45		Warm start@-135dBm
		Ct		39	50		Cold start @-135dBm
							C/N=36dB Typ
8	Accuracy	Ha		2	10	m	Hot start @-135dBm
		Wa		2	10		Warm start@-135dBm
		Ca		2	10		Cold start @-135dBm

## Outline



## To Evaluate GPS Module GYSFFMAXX, You Will Need GKSFFMAXX

**GKSFFMAXX** is the evaluation kit for GPS Module **GYSFFMAXX**. This kit has everything you need to evaluate the performance of this module.

### GKSFFMAXX Kit includes:

No.	Item	Description	Qty
1	GKSFFMAXX	Evaluation Board for GPS Module GYSFFMAXX with USB interface	1
2	AH316M157501-E	Evaluation Board for Chip Antenna	1
3	Standoff	Standoff	4
4	Nut	Nut	4
5	Connector	Male to Male Connector	1
6	Red & Blue Cable	Power Supply Cable	1
7	CD	Evaluation Software	1

