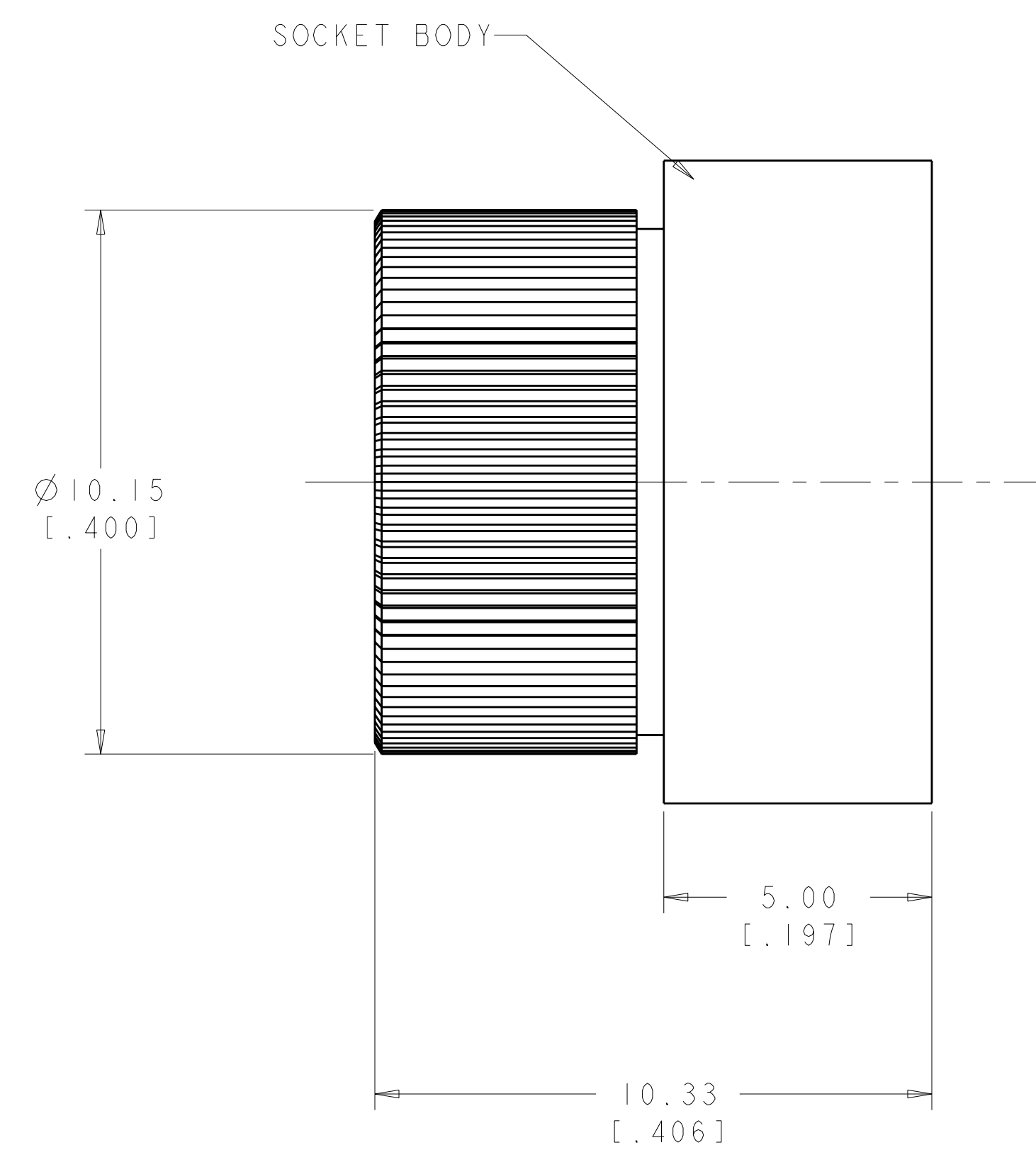
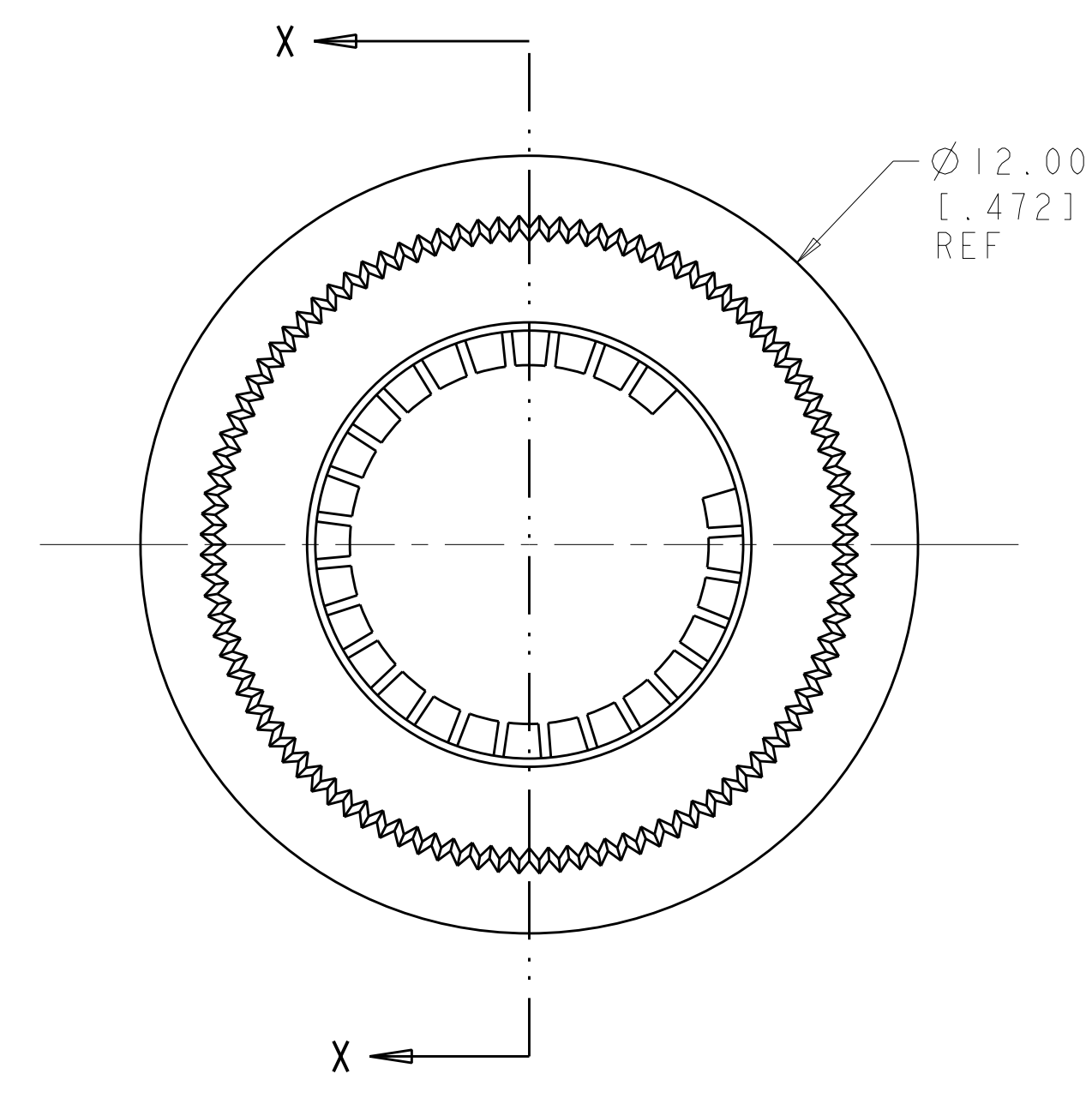
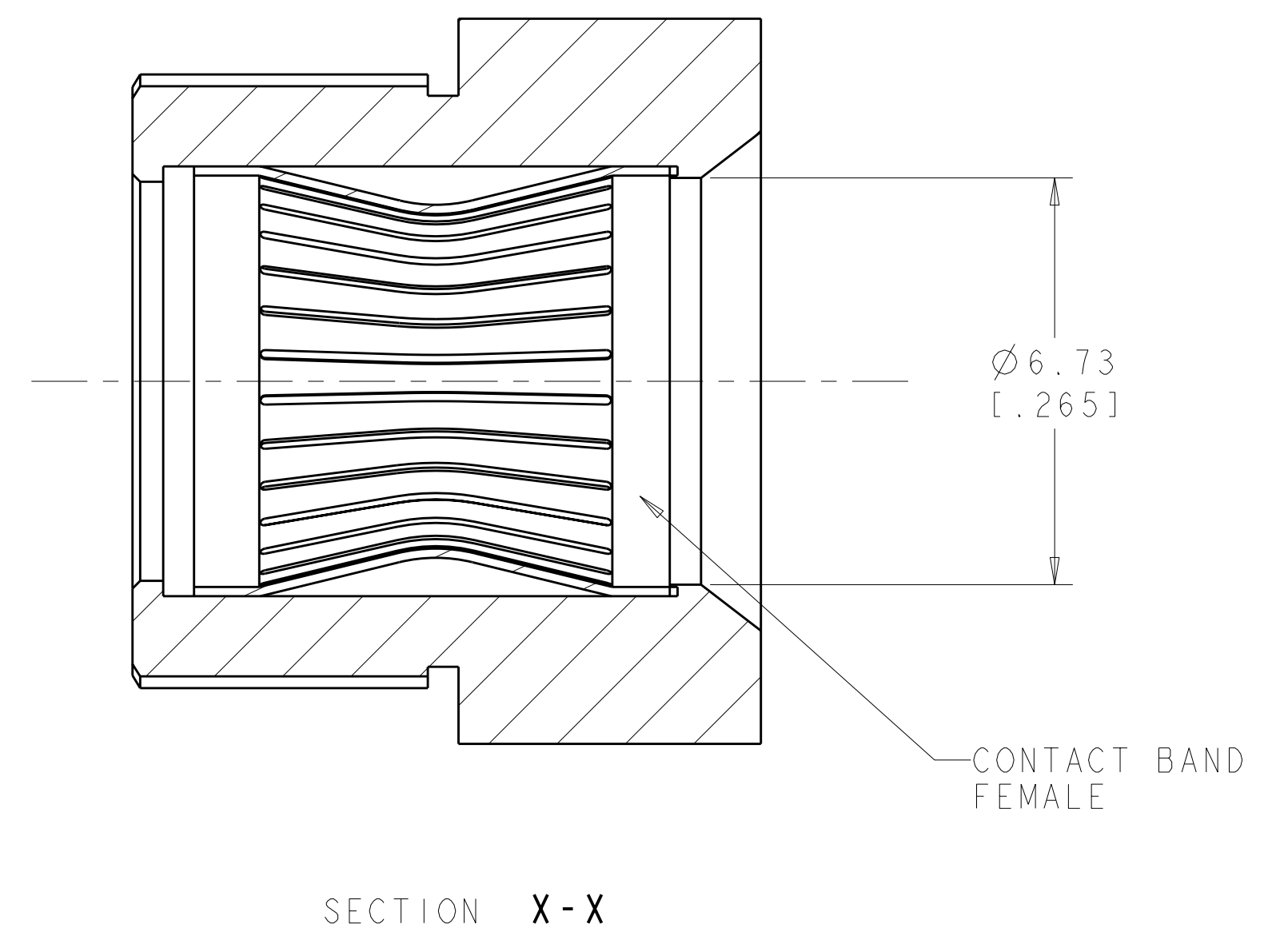


LOC	DIST	REVISIONS			
GP	00	REV	DATE	DWN	APVD
		1	PROPOSED DESIGN	12DEC2007	WVS GRD



- PART NUMBER CHANGES AND/OR DESIGN CHANGES AFFECTING ITEM INTERCHANGEABILITY REQUIRES PRIOR TYCO ELECTRONICS APPROVAL AND AUTHORIZATION BY REVISION TO THIS DRAWING.
- ITEMS PROVIDED TO THIS SPECIFICATION SHALL BE IDENTIFIED ON THE PACKAGE AS FOLLOWS: MANUFACTURER IDENTIFICATION PART NUMBER.
- RECOMENDED BUS BAR HOLE  $\varnothing 10.03 \pm 0.03$  [0.395  $\pm$  0.001].
- MATES WITH A  $\varnothing 6.35$  [0.250] PIN.
- MATERIAL:  
 SOCKET BODY - COPPER ALLOY  
 CONTACT BAND - COPPER ALLOY
- FINISH:  
 SOCKET BODY - SILVER PLATE OVER NICKEL PLATE OVER ALL.  
 CONTACT BAND - GOLD PLATE IN CONTACT AREA OVER NICKEL PLATE OVER ALL.
- THIS PRODUCT HAS NOT COMPLETED QUALIFICATION TESTING.

AS SHOWN	1926757-1
DESCRIPTION	PART NO

THIS PRINT IS  
**PRELIMINARY**  
 UNQUALIFIED PRODUCT  
 CONTACT PRODUCT ENGINEERING  
 BEFORE USING THIS PRINT

DIMENSIONS: mm [ INCHES ]		TOLERANCES UNLESS OTHERWISE SPECIFIED:		DWN: WJL-VAN-SG1000 13NOV2007 CHK: G.R. DEBTRAUGH 13NOV2007 APVD: G.R. DEBTRAUGH 13NOV2007 PRODUCT SPEC:	
0 PLC	±	0.25	[0.010]	APPLICATION SPEC:	NAME:
1 PLC	±			WEIGHT:	
2 PLC	±			CUSTOMER DRAWING	
3 PLC	±			SCALE: 4:1	SHEET: 1 OF 1
4 PLC	±			REV: 1	
ANGLES	±	0°			
FINISH:					

**PRELIMINARY**  
 Tyco Electronics  
 Harrisburg, PA 17105-3608  
 ASSEMBLY, #4 SOCKET,  
 BUSBAR, LONG  
 SIZE: CAGE CODE: DRAWING NO: 1926757  
 RESTRICTED TO: