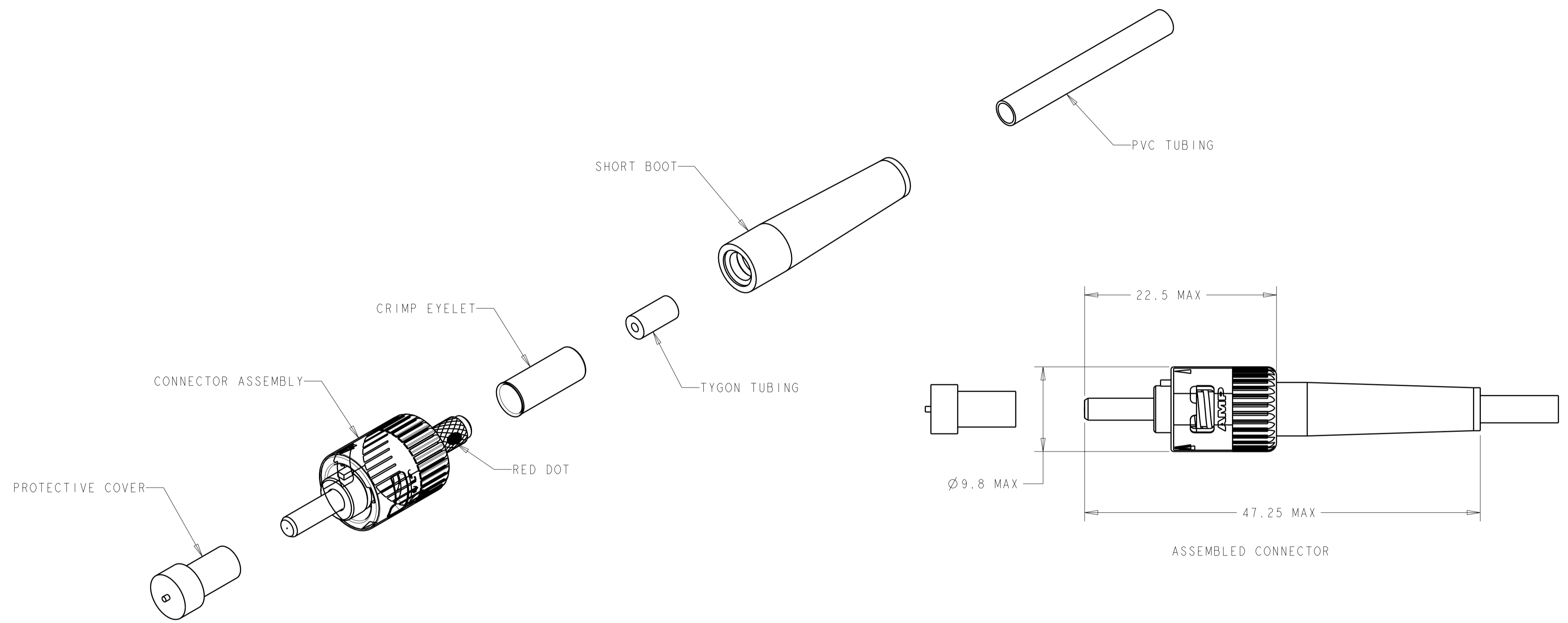


THIS DRAWING IS UNPUBLISHED. RELEASED FOR PUBLICATION 20  
 © COPYRIGHT 20 BY TYCO ELECTRONICS CORPORATION. ALL RIGHTS RESERVED.

LOC	DIST	REVISIONS			
P	LTR	DESCRIPTION	DATE	DWN	APVD
CE	00				
	B	REVISE PER ECR-06-003181	09FEB2006	BB	SB
	BI	ADD NOTE 3	06MAR09	JZ	RZ



- 1 MATERIAL:  
 PROTECTIVE COVER: LDPE, COLOR: BLACK, NON-FR.  
 CONNECTOR ASSEMBLY:  
 FERRULE ASSEMBLY: CERAMIC/NICKEL PLATED BRASS.  
 SPRING: STAINLESS STEEL.  
 COUPLING NUT: ZINC.  
 RETENTION RING: STAINLESS STEEL.  
 CRIMP EYELET: TIN PLATED COPPER.  
 SHORT BOOT: TPE, SEE DASH NUMBERS FOR COLOR\*  
 TYGON TUBING: TYGON, COLOR: CLEAR.  
 PVC TUBING: PVC, COLOR: BLACK, NON-FR.  
 \*UL94 V-0 RATED AT QUALIFYING THICKNESS.

- 2 BULK PACKAGE.  
 3. INSTRUCTION SHEET: 408-9971 AVAILABLE FOR DOWNLOAD AT  
[www.tycoelectronics.com/documents](http://www.tycoelectronics.com/documents) OR [www.ampnetconnect.com/foguide](http://www.ampnetconnect.com/foguide).

2	PVC	YELLOW	126	5502580-8
2	-	BLUE	126	5502580-7
2	-	YELLOW	126	5502580-4
	PVC AND TYGON	YELLOW	126	5502580-2
	TUBING	SHORT BOOT	FIBER SIZE	PART NUMBER

THIS DRAWING IS A CONTROLLED DOCUMENT FOR TYCO ELECTRONICS CORPORATION. IT IS SUBJECT TO CHANGE AND THE CONTROLLING ENGINEERING ORGANIZATION SHOULD BE CONTACTED FOR THE LATEST REVISION.		DWN B. BRIGGS 05APR2005	Tyco Electronics Corporation Shanghai, China	
DIMENSIONS: mm [ INCHES ]		CHK S. BUCHTER 05APR2005	NAME CONNECTOR KIT, 2.5mm BAYONET, SINGLEMODE, OPTIMATE	
TOLERANCES UNLESS OTHERWISE SPECIFIED: 0 PLC ± 1 PLC ± 2 PLC ± 3 PLC ± 4 PLC ± ANGLES ± FINISH -		APVD S. BUCHTER 05APR2005	SIZE A2	
MATERIAL		PRODUCT SPEC -	CAGE CODE 00779	DRAWING NO 5502580
1		APPLICATION SPEC -	RESTRICTED TO -	
		WEIGHT -	SCALE 3:1 SHEET 1 OF 1 REV BI	
		CUSTOMER DRAWING		