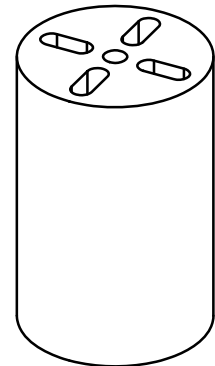
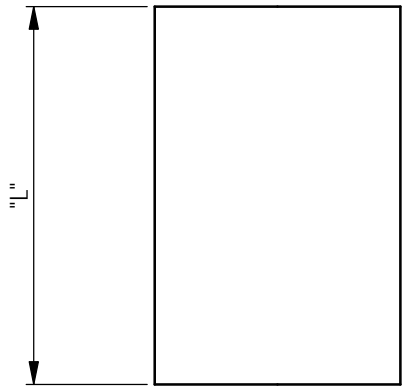
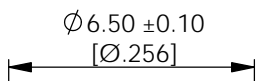
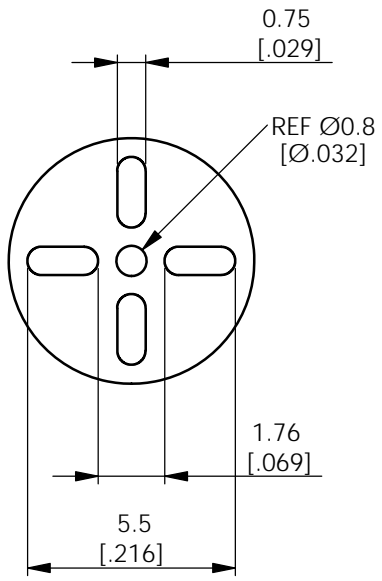


A B C D E F

AVAILABLE BY SPECIAL ORDER NAFTA REGION ONLY

REV.	MODIFICATION.	DATE	DRN
01	NEW DWG	25/05/01	JPM
02	SCN04-093	25/05/01	OW
03	SCN04-096	25/05/01	OW
04	SCN04-100	14/10/04	OW
05	ECN05-021	26/01/05	OW
06	CO-2010553	09/02/09	OW
07	CO-2010973	17/08/10	SF
08	CO-2011241	06/02/12	SF



ALTERNATE UNITS FOR REFERENCE ONLY

INFORMATION CONTAINED IN THIS DOCUMENT IS CONFIDENTIAL TO RICHCO INTERNATIONAL Co. Ltd. AND MAY NOT BE DISCLOSED OR REPRODUCED IN WHOLE OR PART WITHOUT THEIR WRITTEN CONSENT.

RICHCO, INC. WWW.RICHCO-INC.COM	ALL DIMENSIONS IN mm GENERAL TOLERANCES ±0.25 UNLESS OTHERWISE STATED 1 DECIMAL PLACE ± 2 DECIMAL PLACES ± ANGULAR ±1°	THIRD ANGLE
	MATERIAL: PVC (RMS-388)	

- NOTES:
 1) FOR USE WITH 5mm, T-1 3/4 LEDS.
 2) PARTS AVAILABLE IN 1MM INCREMENTS.
 3) SPECIAL LENGTHS AVAILABLE BY SPECIAL ORDER.

COLOUR: BLACK	
DESCRIPTION: LED MOUNTS	
PART No: LEDM-3-XX	DRG No: 786-9020
SHEET SIZE A4	NPR No:

PART No.	LENGTH	DRN	DATE	CHKD	DATE	SCALE	SHEET No.
LEDM-3-02 - LEDM-3-30	2.0mm - 30mm	OW	14/10/04	NJB	14/10/04	NTS	1 OF 1

A B C D E F