

AMPHENOL PART NUMBER CONFIGURATION
 UE86-3G2420-X0X61

LIGHT PIPE OPTION

- 0 - NO LIGHT PIPE
- 1 - 4 LP PER 2X1, NORMAL ORIENTATION
- 2 - 2 INNER LP PER 2X1, NORMAL ORIENTATION
- 3 - 2 OUTER LP PER 2X1, NORMAL ORIENTATION
- 4 - 4 LP PER 2X1, REVERSING ORIENTATION
- 5 - 2 INNER LP PER 2X1, REVERSING ORIENTATION
- 6 - 2 OUTER LP PER 2X1, REVERSING ORIENTATION
- 7 - 3 LP PER 2X1, 2 OUTER LP, NORMAL ORIENTATION
- 8 - 3 LP PER 2X1, 2 OUTER LP, REVERSING ORIENTATION

PACKAGING

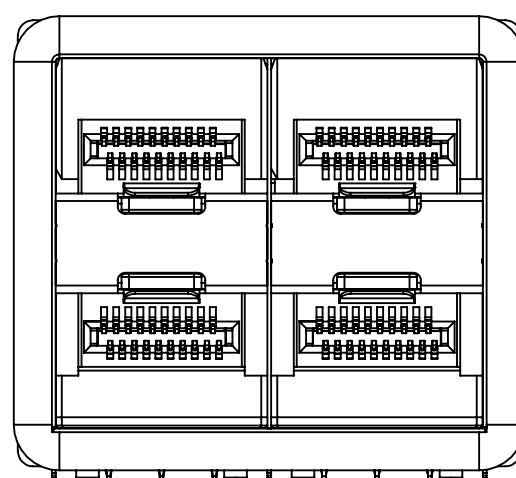
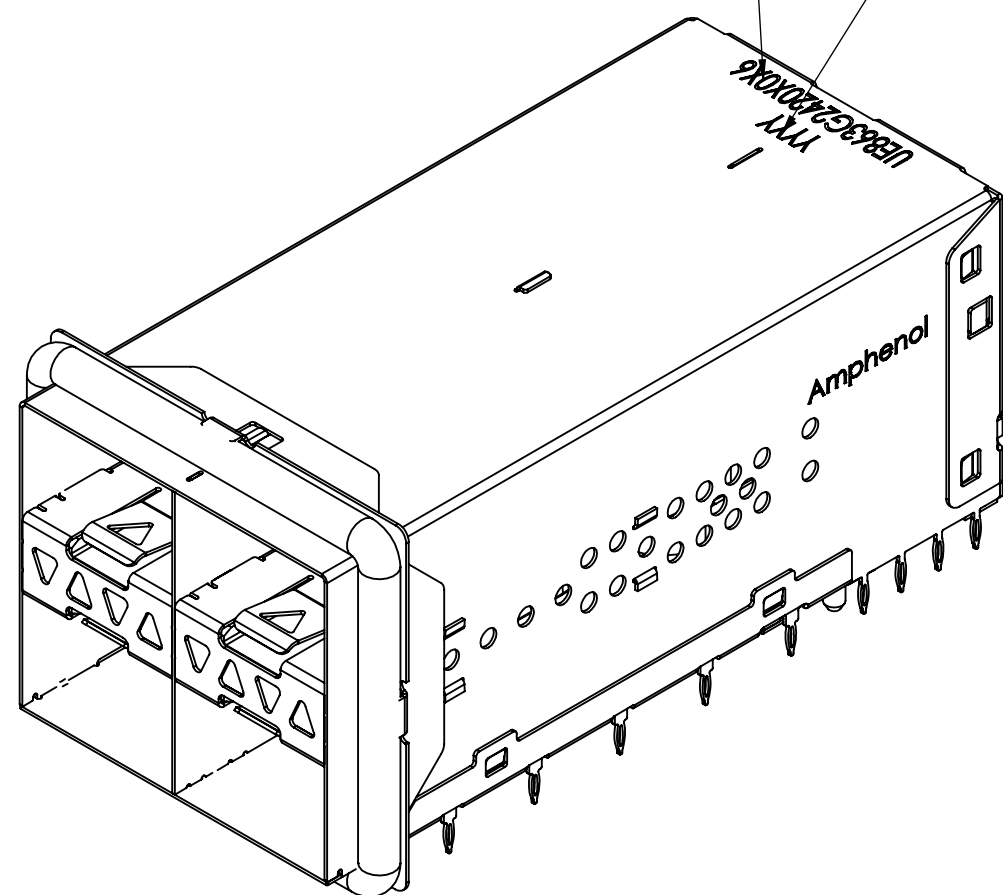
- 1 - TRAY PACKAGING (STACKED)

PLATING OPTIONS FOR CONNECTOR

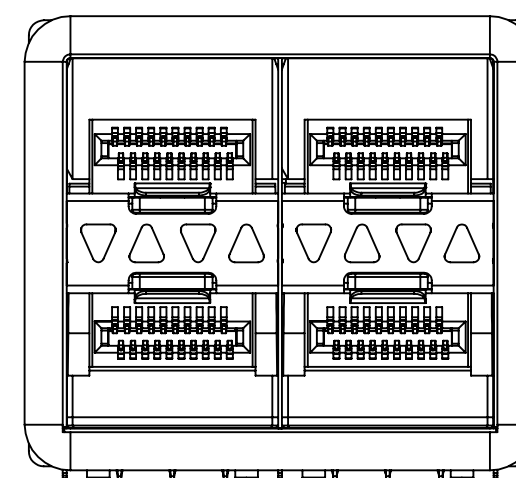
- 2 - 30µ" GOLD PLATING ON MATING AREA
15~100µ" MATTE TIN ON TERMINATION
- 3 - 30µ" GOLD PLATING ON MATING AREA
150~300µ" MATTE TIN ON TERMINATION
- 5 - 15µ" GOLD PLATING ON MATING AREA
15~100µ" MATTE TIN ON TERMINATION
- 6 - 15µ" GOLD PLATING ON MATING AREA
150~300µ" MATTE TIN ON TERMINATION

PART NUMBER (LAST DIGIT INDICATING PACKAGING TYPE, NOT PRINTED ON THE PART)

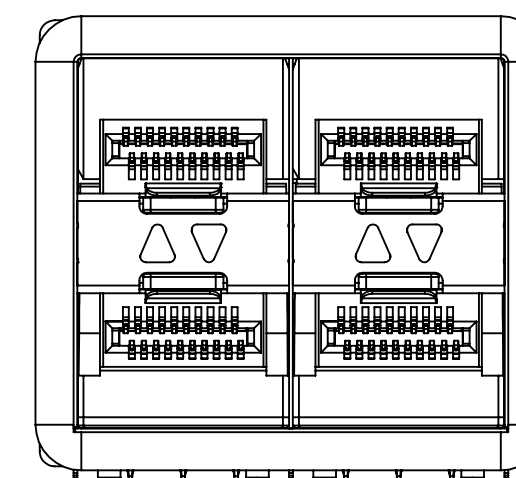
DATE CODE



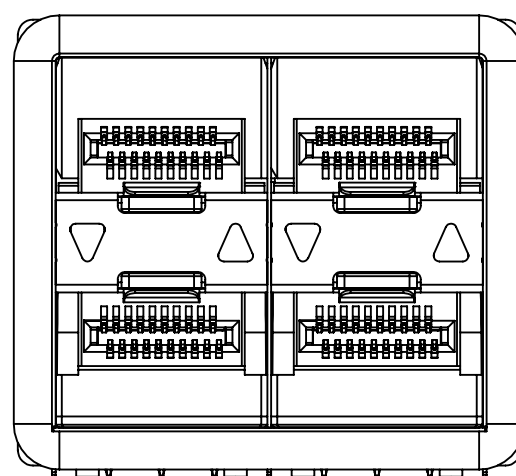
NO LIGHT PIPES
 UE86-3G2420-00X61



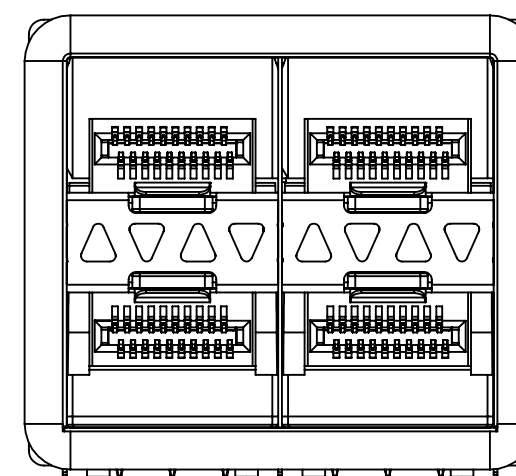
4 LIGHT PIPES
 UE86-3G2420-10X61



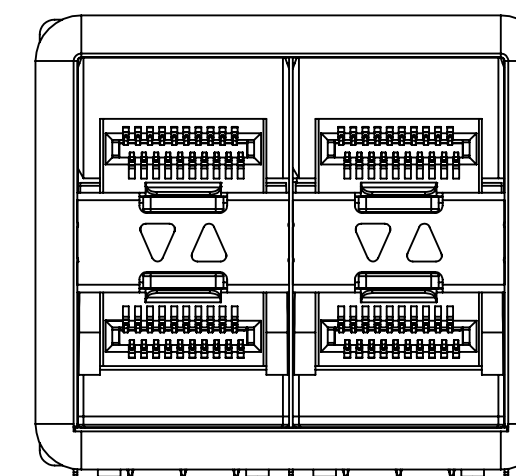
2 INNER LIGHT PIPES
 UE86-3G2420-20X61



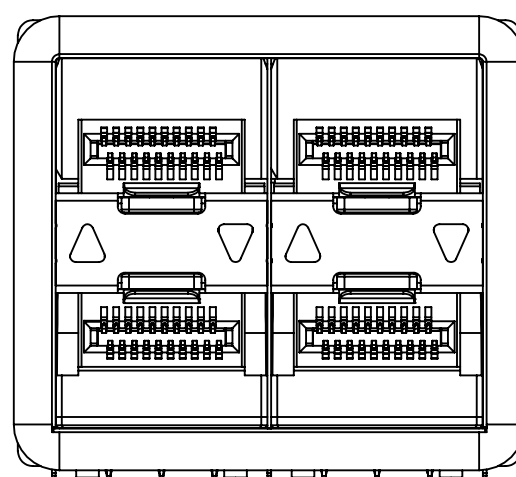
2 OUTER LIGHT PIPES
 UE86-3G2420-30X61



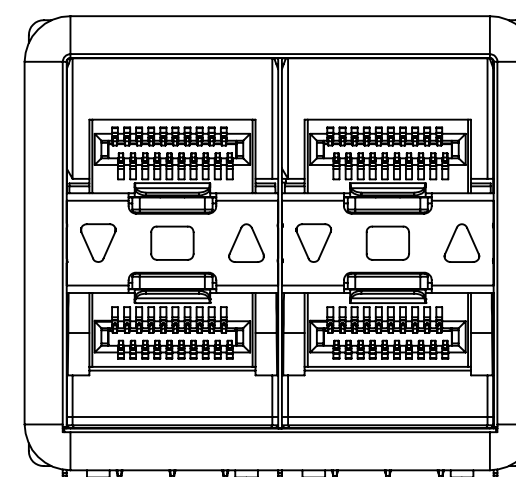
4 LIGHT PIPES UPSIDE DOWN
 UE86-3G2420-40X61



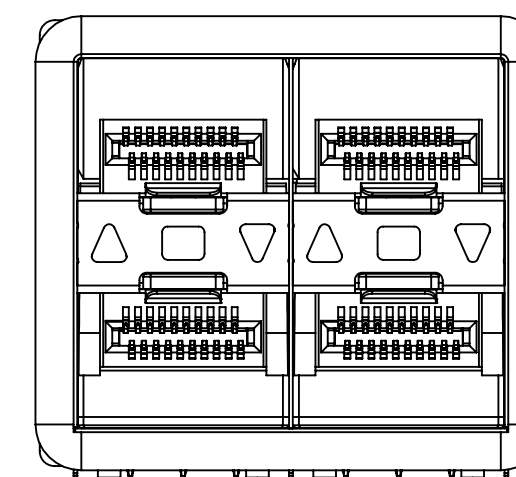
2 INNER LIGHT PIPES UPSIDE DOWN
 UE86-3G2420-50X61



2 OUTER LIGHT PIPES UPSIDE DOWN
 UE86-3G2420-60X61



3 LIGHT PIPES
 UE86-3G2420-70X61



3 LIGHT PIPES UPSIDE DOWN
 UE86-3G2420-80X61

MATERIAL: (RoHS COMPLIANT)

1. CAGE - PRESS FIT: COPPER ALLOY (NICKEL SILVER)
2. CONNECTOR - PRESS FIT:
 -PLASTIC HOUSING: LCP, FLAMMABILITY RATING UL94-V0.
 -CONTACTS: PHOSPHOR BRONZE
3. LIGHT PIPE: CLEAR POLYCARBONATE, FLAMMABILITY RATING UL94-V0.
4. PACKAGING: TRAY PACKAGING.
5. TEMPERATURE RANGE: -40°C TO +85°C
6. EMI GASKET: CONDUCTIVE ELASTOMER UL94-V0



REVISIONS				
REV.	ECN	DESCRIPTION	DATE	APPROVED
C		UPDATE NOTES	AUG 14/15	J.SI
D		CHANGED PCB THICKNESS	NOV 03/15	J.SI
E		REMOVED DIM. ZONE C2, SHEET 2 OF 4	OCT 31/16	J.SI

THIS DOCUMENT CONTAINS PROPRIETARY INFORMATION AND SUCH INFORMATION MAY NOT BE DISCLOSED TO OTHERS FOR ANY PURPOSE OR USED FOR MANUFACTURING PURPOSES WITHOUT WRITTEN PERMISSION FROM AMPHENOL CANADA CORP.

UNLESS SPECIFIED OTHERWISE	DRAWN	P. OU	FEB10/14
DIMENSIONS ARE IN MILLIMETERS	CHECKED	J. SI	NOV03/15
REFERENCE IN PARENTHESES	M.E. APP'D		
GENERAL TOLERANCES	Q.A. APP'D		
1 DECIMAL PLACE ±0.25	DWG APP'D	J. SI	NOV03/15
2 DECIMAL PLACE ±0.15	MATERIAL AND FINISH	SEE NOTES	
3 DECIMAL PLACE N/A	REF.	ECN Exxxxx	
ANGULAR DEGREES ±1°	THIRD ANGLE PROJECTION	DO NOT SCALE DRAWING	
ENG. REL. NO.		DWG. NO.	

Amphenol High Speed Interconnects
 A Division of Amphenol Corp. www.amphenolcanada.com

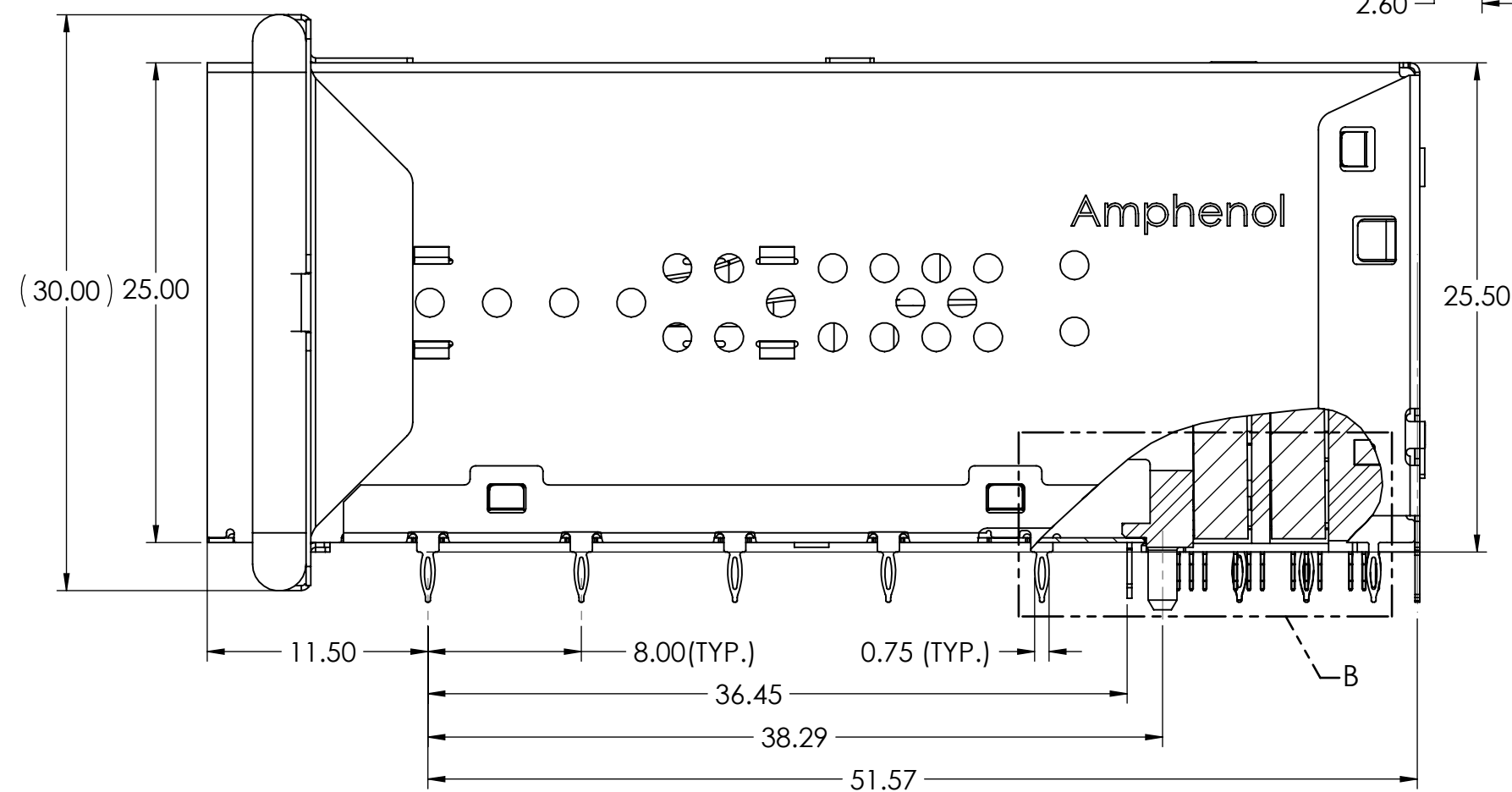
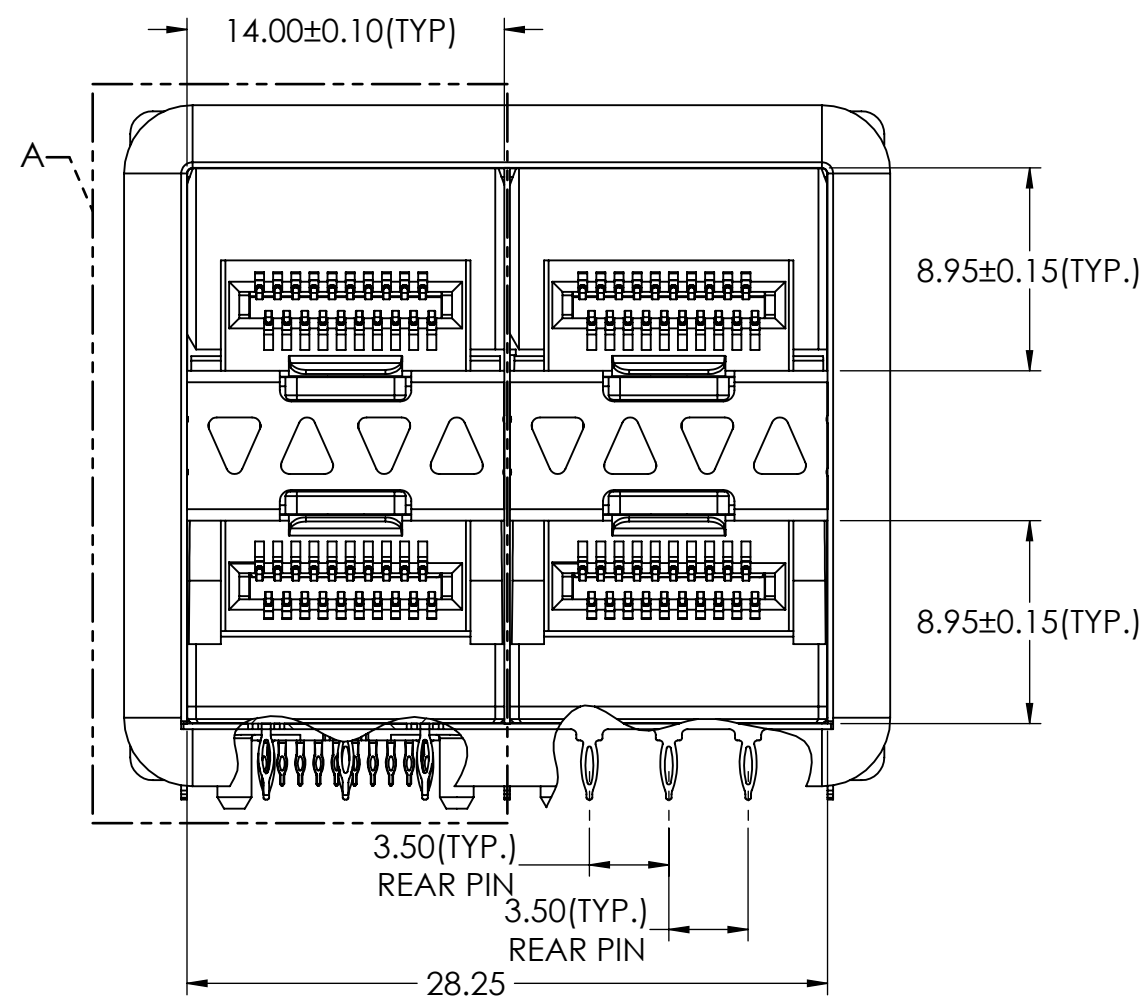
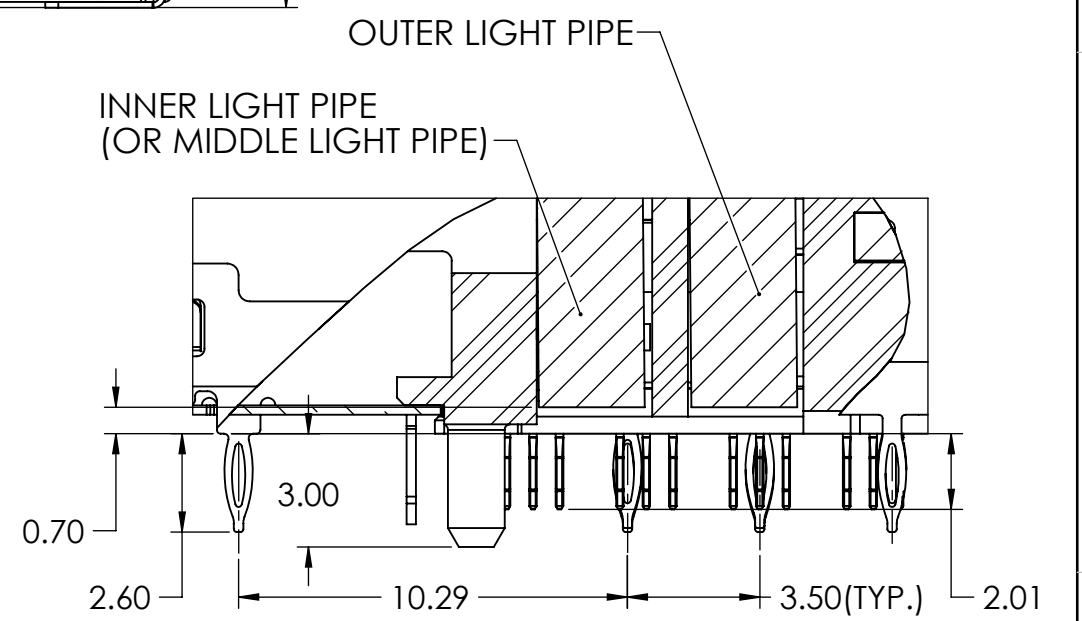
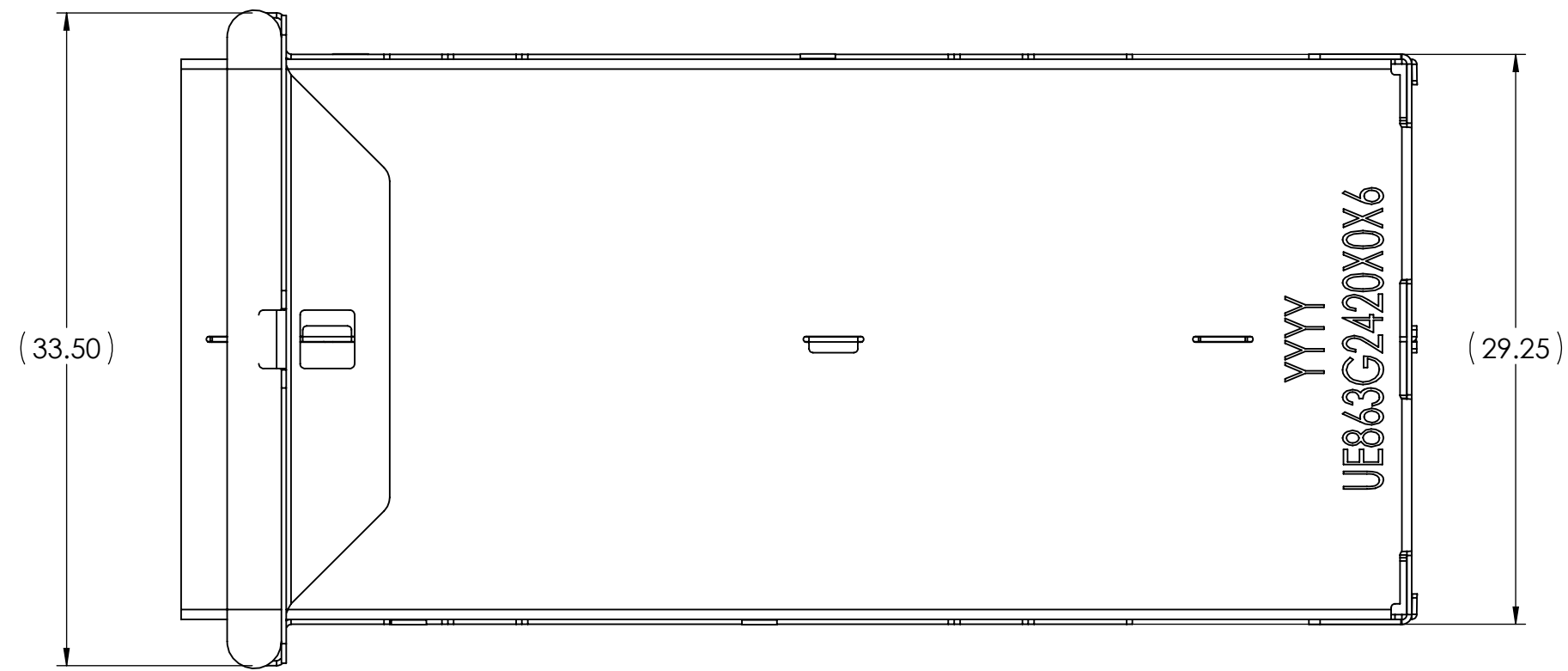
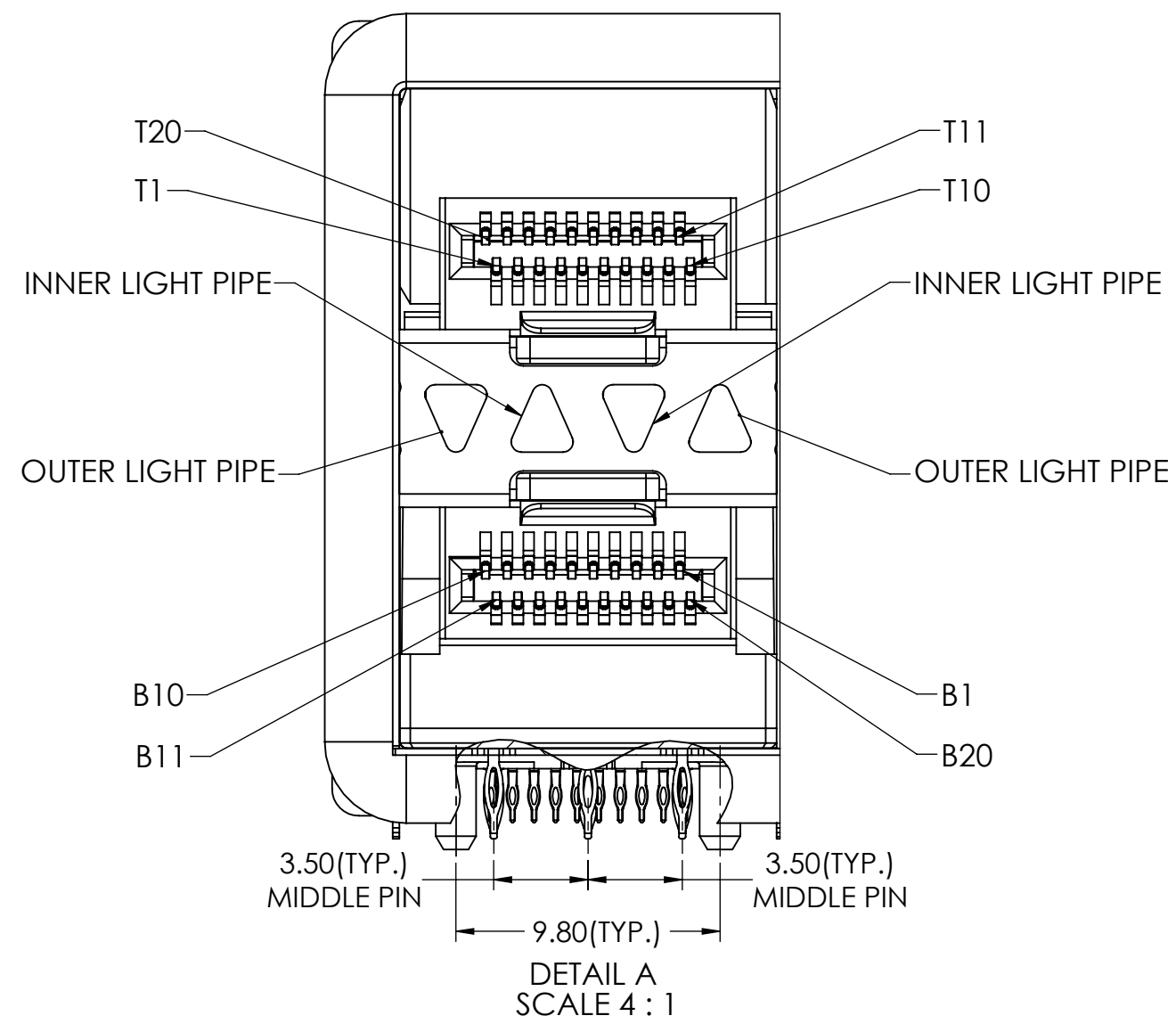
2X2 SFP ULTRAPORT WITH LIGHT PIPE OPTIONS AND EMI GASKET

P-UE86-3G2420-X0361

CODE ID NO.	03554	DWG SIZE:	C	SCALE:	2:1	SHEET	1 OF 4
-------------	-------	-----------	---	--------	-----	-------	--------

REV E

REVISIONS				
REV.	ECN	DESCRIPTION	DATE	APPROVED
C		UPDATE NOTES	AUG 14/15	J.SI
D		CHANGED PCB THICKNESS	NOV 03/15	J.SI
E		REMOVED DIM. ZONE C2, SHEET 2 OF 4	OCT 31/16	J.SI



DETAIL B SCALE 5 : 1

UNLESS SPECIFIED OTHERWISE	DRAWN	P. OU	FEB10/14
DIMENSIONS ARE IN MILLIMETERS	CHECKED	J. SI	NOV03/15
REFERENCE IN PARENTHESES	M.E. APP'D		
GENERAL TOLERANCES	Q.A. APP'D		
1 DECIMAL PLACE ±0.25	DWG APP'D	J. SI	NOV03/15
2 DECIMAL PLACE ±0.15	MATERIAL AND FINISH	SEE NOTES	
3 DECIMAL PLACE N/A	REF.	ECN Exxxxx	DWG. NO.
ANGULAR DEGREES ±1°	THIRD ANGLE PROJECTION	DO NOT SCALE DRAWING	
ENG. REL. NO.			

Amphenol High Speed Interconnects
 A Division of Amphenol Corp. www.amphenolcanada.com

2X2 SFP ULTRAPORT WITH LIGHT PIPE OPTIONS AND EMI GASKET

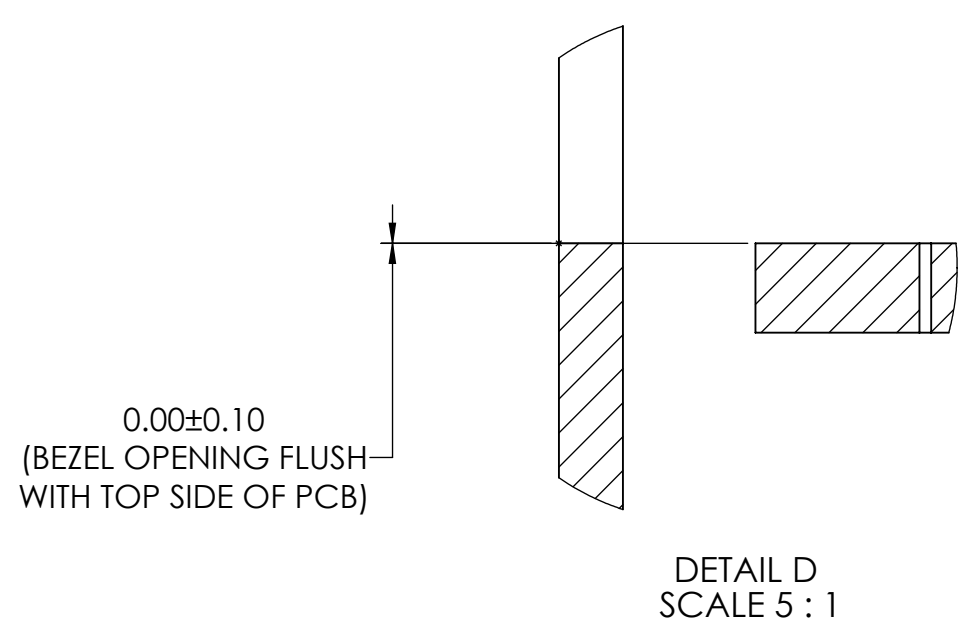
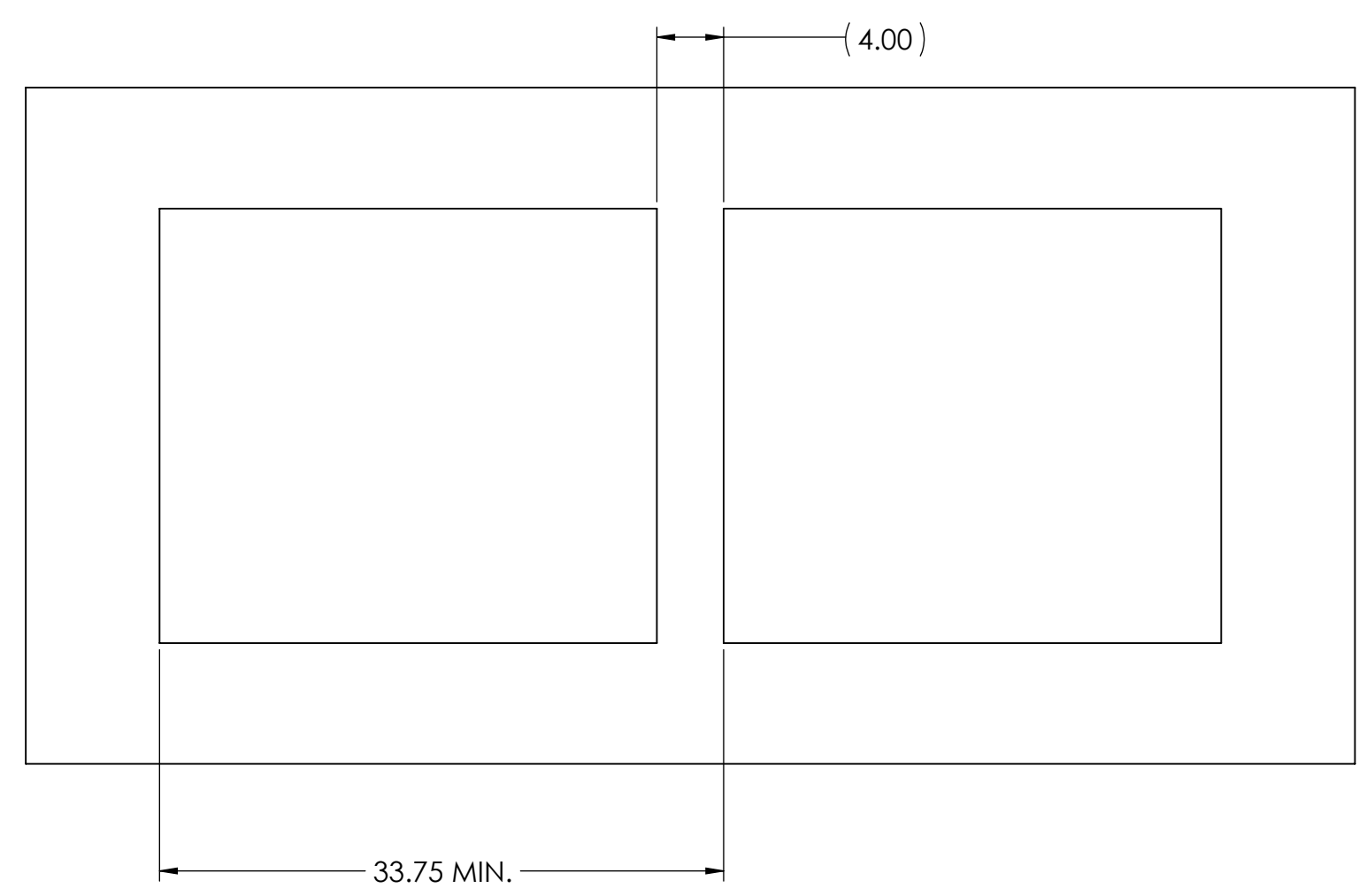
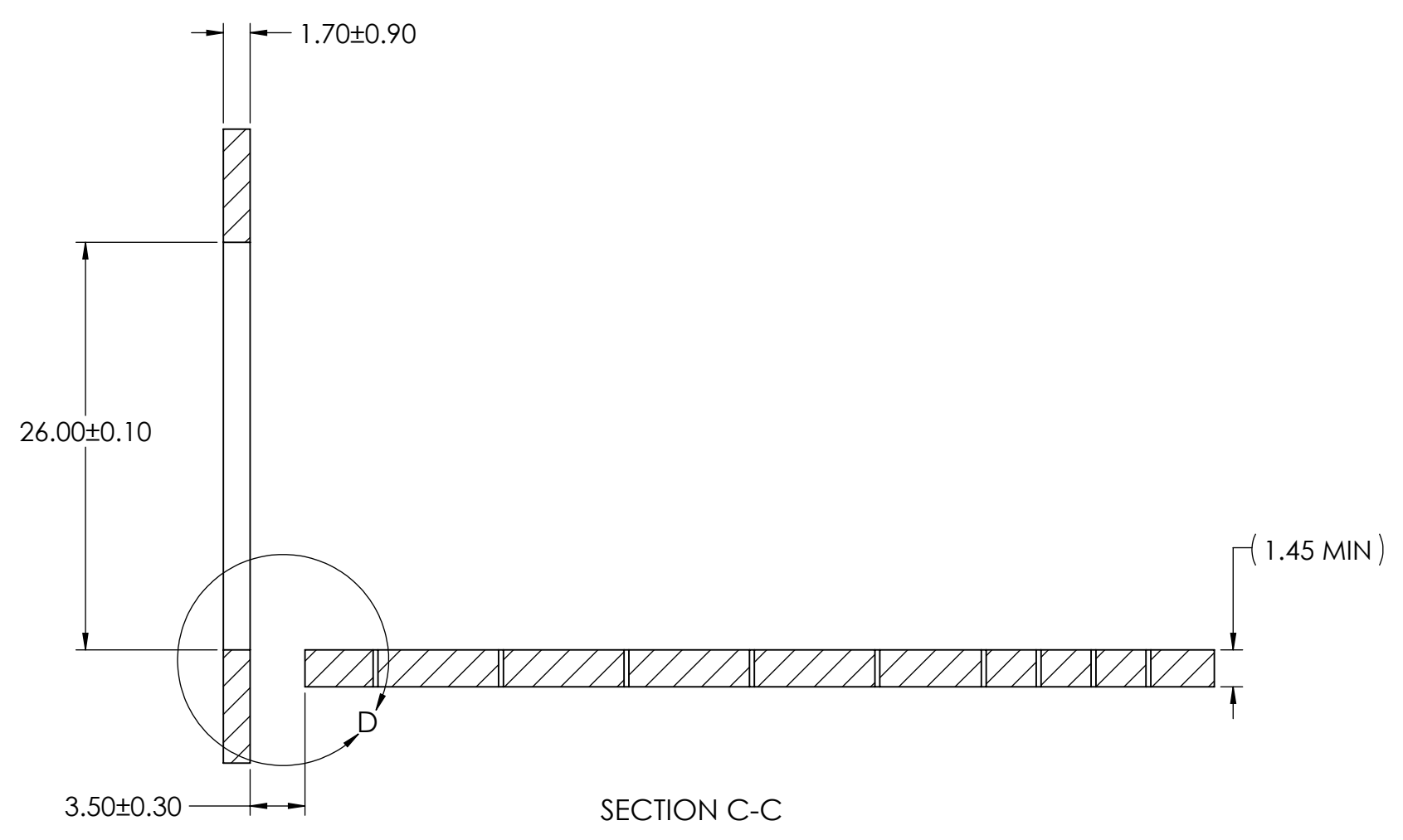
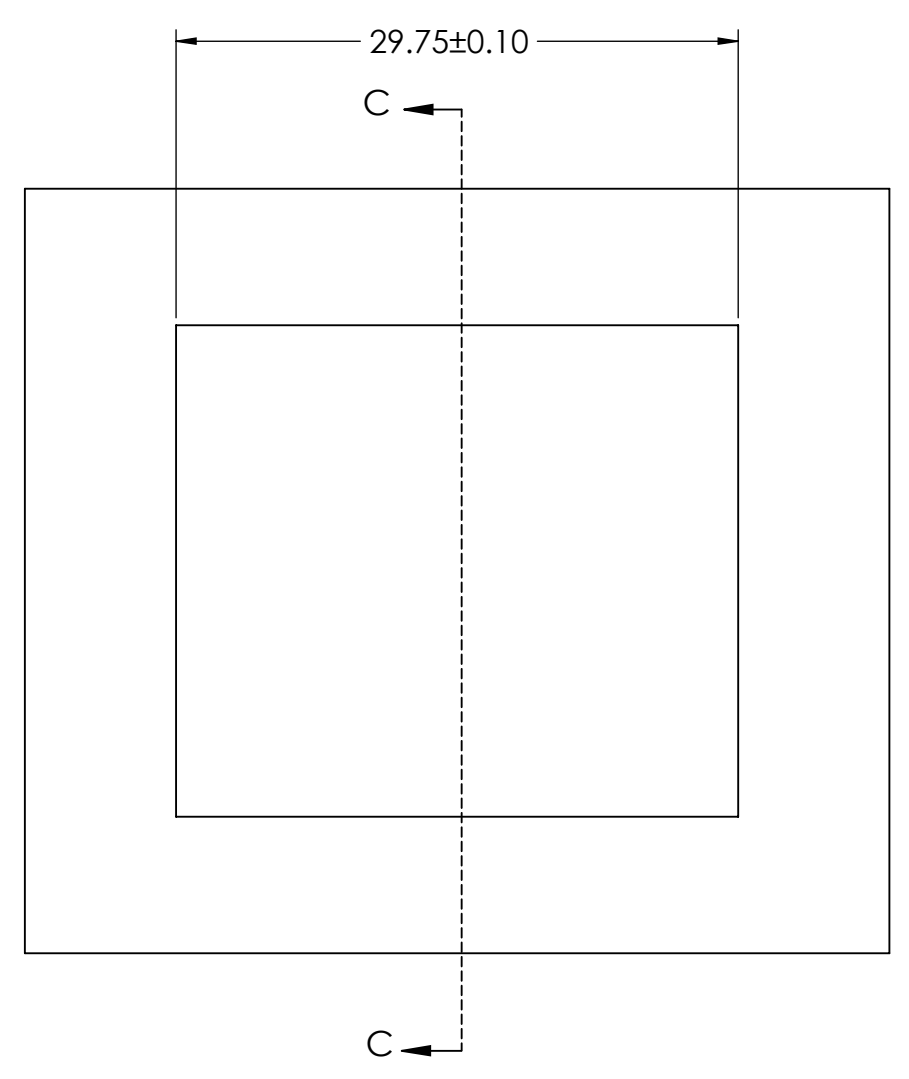
REV E

P-UE86-3G2420-X0361

CODE ID NO. 03554 DWG SIZE: C SCALE: 3:1 SHEET 2 OF 4

THIS DOCUMENT CONTAINS PROPRIETARY INFORMATION AND SUCH INFORMATION MAY NOT BE DISCLOSED TO OTHERS FOR ANY PURPOSE OR USED FOR MANUFACTURING PURPOSES WITHOUT WRITTEN PERMISSION FROM AMPHENOL CANADA CORP.

REVISIONS				
REV.	ECN	DESCRIPTION	DATE	APPROVED
C		UPDATE NOTES	AUG 14/15	J.SI
D		CHANGED PCB THICKNESS	NOV 03/15	J.SI
E		REMOVED DIM. ZONE C2, SHEET 2 OF 4	OCT 31/16	J.SI

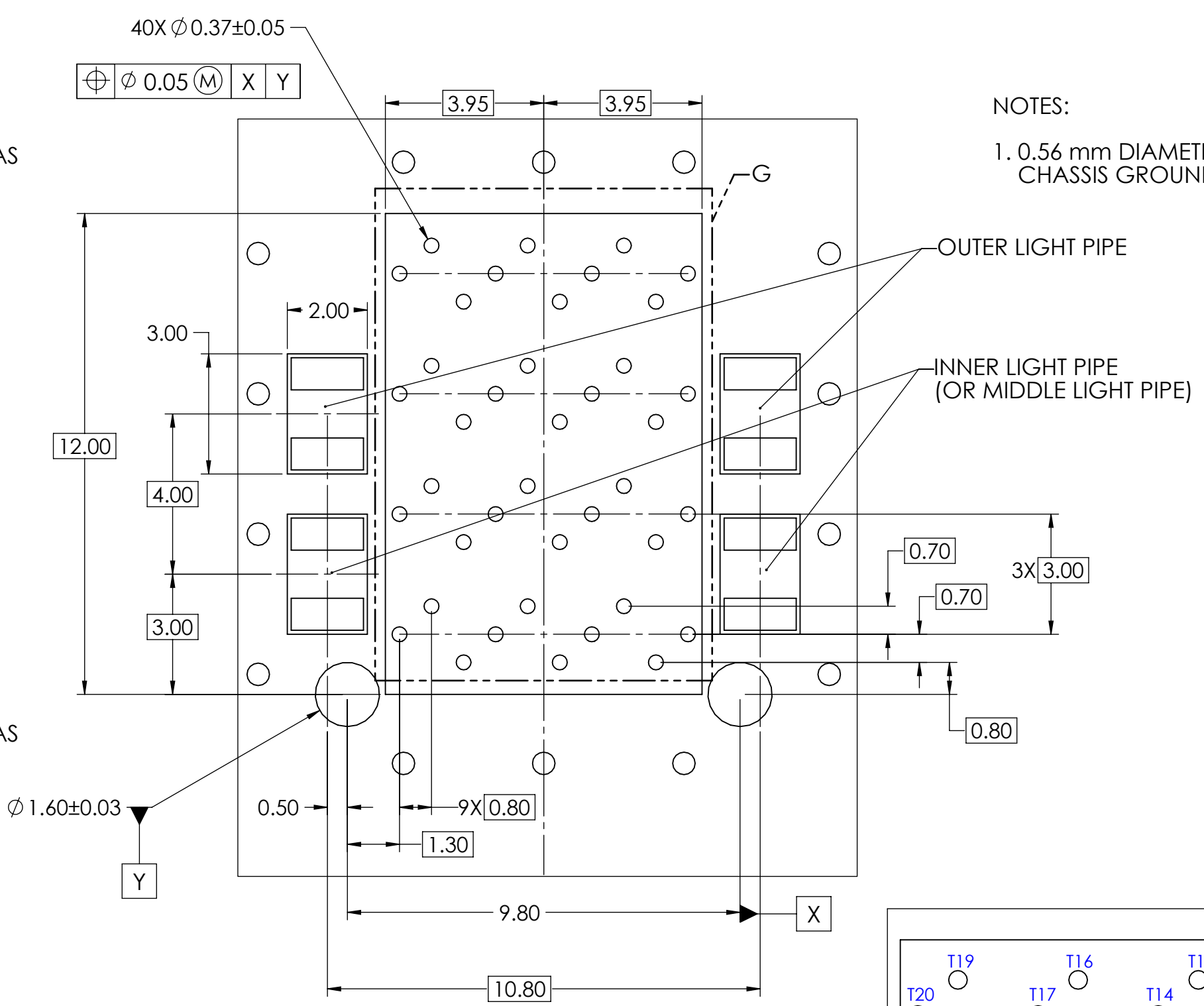
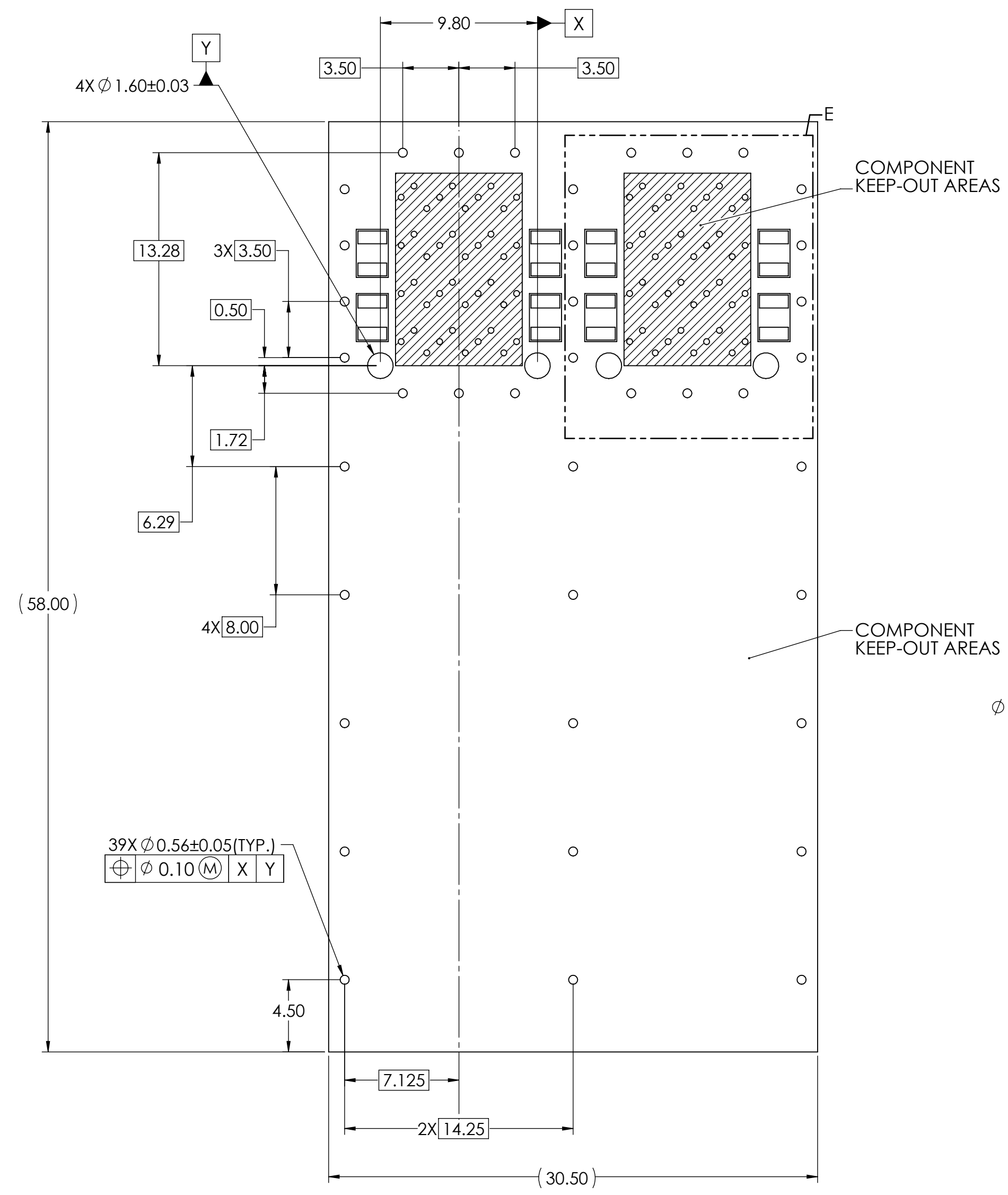


THIS DOCUMENT CONTAINS PROPRIETARY INFORMATION AND SUCH INFORMATION MAY NOT BE DISCLOSED TO OTHERS FOR ANY PURPOSE OR USED FOR MANUFACTURING PURPOSES WITHOUT WRITTEN PERMISSION FROM AMPHENOL CANADA CORP.

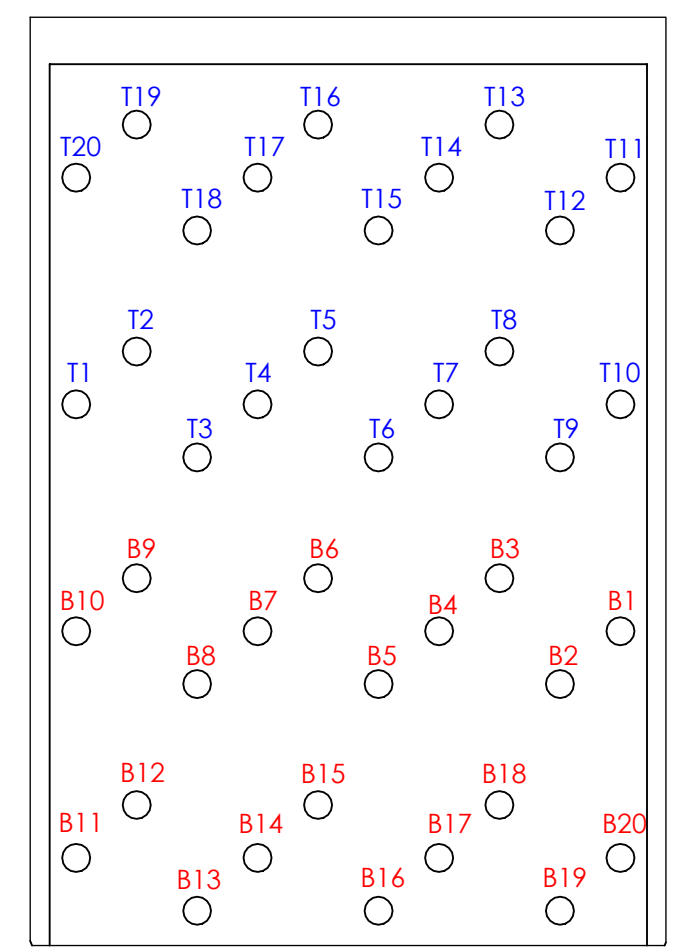
UNLESS SPECIFIED OTHERWISE	DRAWN	P. OU	FEB10/14	Amphenol High Speed Interconnects A Division of Amphenol Corp. www.amphenolcanada.com
DIMENSIONS ARE IN MILLIMETERS	CHECKED	J. SI	NOV03/15	
REFERENCE IN PARENTHESES	M.E. APP'D			
GENERAL TOLERANCES	Q.A. APP'D			2X2 SFP ULTRAPORT WITH LIGHT PIPE OPTIONS AND EMI GASKET
1 DECIMAL PLACE ±0.25	DWG APP'D	J. SI	NOV03/15	
2 DECIMAL PLACE ±0.15	MATERIAL AND FINISH	SEE NOTES		
3 DECIMAL PLACE N/A	REF.	ECN Exxxxx		DWG. NO.
ANGULAR DEGREES ±1°	THIRD ANGLE PROJECTION	DO NOT SCALE DRAWING		P-UE86-3G2420-X0361
ENG. REL. NO.				CODE ID NO. 03554 DWG SIZE: C SCALE: 2.5:1 SHEET 3 OF 4

REV E

REVISIONS				
REV.	ECN	DESCRIPTION	DATE	APPROVED
C		UPDATE NOTES	AUG 14/15	J.SI
D		CHANGED PCB THICKNESS	NOV 03/15	J.SI
E		REMOVED DIM. ZONE C2, SHEET 2 OF 4	OCT 31/16	J.SI



NOTES:
1. 0.56 mm DIAMETER HOLES ARE CHASSIS GROUND (39HOLES).



THIS DOCUMENT CONTAINS PROPRIETARY INFORMATION AND SUCH INFORMATION MAY NOT BE DISCLOSED TO OTHERS FOR ANY PURPOSE OR USED FOR MANUFACTURING PURPOSES WITHOUT WRITTEN PERMISSION FROM AMPHENOL CANADA CORP.

UNLESS SPECIFIED OTHERWISE	DRAWN	P. OU	FEB10/14
DIMENSIONS ARE IN MILLIMETERS	CHECKED	J. SI	NOV03/15
REFERENCE IN PARENTHESES	M.E. APP'D		
GENERAL TOLERANCES	Q.A. APP'D		
1 DECIMAL PLACE ± 0.25	DWG APP'D	J. SI	NOV03/15
2 DECIMAL PLACE ± 0.15	MATERIAL AND FINISH	SEE NOTES	
3 DECIMAL PLACE N/A	REF.	ECN Exxxxx	DWG. NO.
ANGULAR DEGREES $\pm 1^\circ$	THIRD ANGLE PROJECTION	DO NOT SCALE DRAWING	
ENG. REL. NO.			

Amphenol High Speed Interconnects
A Division of Amphenol Corp. www.amphenolcanada.com

2X2 SFP ULTRAPORT WITH LIGHT PIPE OPTIONS AND EMI GASKET

REV E

P-UE86-3G2420-X0361

CODE ID NO. 03554 DWG SIZE: C SCALE: 4:1 SHEET 4 OF 4