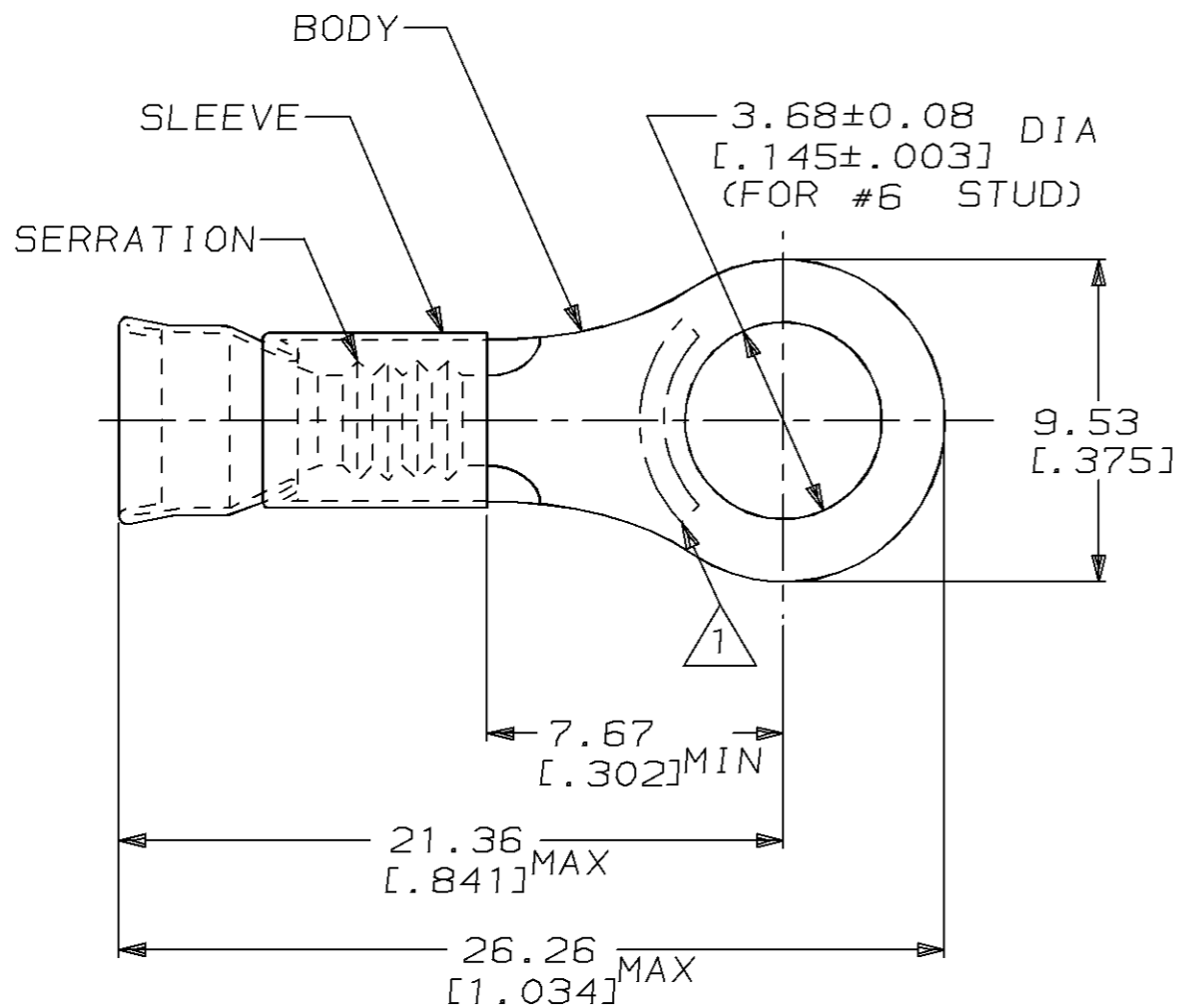


THIS DRAWING IS UNPUBLISHED. RELEASED FOR PUBLICATION ,19 .

© COPYRIGHT 19 BY AMP INCORPORATED. ALL RIGHTS RESERVED.

LOC	DIST	REVISIONS			
P	LTR	DESCRIPTION	DATE	DWN	APVD
G	14	C	REV / 0L20-0042-96	07JAN97	ME TM



1 STAMP AMP 12-10\*APPROX AS SHOWN

2. WIRE INSUL DIA, 3.81-5.84 [.150-.230]

3. TONGUE MATL THK, 1.02±0.05 [.040±.002]

500	LOOSE PIECE	323066
QTY	PACKAGE TYPE	PART NO

AMP INCORPORATED CUSTOMER SERVICE SYSTEM	
FOR ADDITIONAL PRODUCT INFORMATION OR COPIES OF DRAWINGS AND TECHNICAL DOCUMENTS	PRODUCT INFORMATION CENTER 1-800-522-6752
FOR APPLICATION TOOLING INFORMATION	TOOLING ASSISTANCE CENTER 1-800-722-1111
FOR ORDER ENTRY	1-800-526-5142

MAX RECOMMENDED OPERATING TEMPERATURE: 343°C [650°F]
VOLTAGE RATING: -
CIRCULAR MIL AREA: 2.62mm <sup>2</sup> -6.64mm <sup>2</sup> [5180-13100]
STRANDED WIRE

THIS DRAWING IS A CONTROLLED DOCUMENT FOR AMP INCORPORATED. IT IS SUBJECT TO CHANGE AND THE CONTROLLING ENGINEERING ORGANIZATION SHOULD BE CONTACTED FOR THE LATEST REVISION.	
DIMENSIONS: mm [in]	TOLERANCES UNLESS OTHERWISE SPECIFIED:
	0 PLC ±-
	1 PLC ±-
	2 PLC ±0.20 [.008]
	3 PLC ±-
	4 PLC ±-
	ANGLES ±-
MATERIAL BODY, CU PER ASTM B152	FINISH BODY, NP, QQ-N-290
SLEEVE, NI SIL PER ASTM B122	

DWN L OLMEDA	100CT94
CHK M ELLIS	100CT94
APVD S BORTNER	100CT94
PRODUCT SPEC	-
APPLICATION SPEC	-
WEIGHT	-
CUSTOMER DRAWING	

AMP Incorporated Harrisburg, PA 17105-3608		
NAME TERMINAL, RING TONGUE, STRATO-THERM™, DIAMOND GRIP™, WIRE SIZE, 12-10 AWG		
SIZE A3	CAGE CODE 00779	DRAWING NO C-323066
SCALE 4:1	SHEET 1 OF 1	REV C