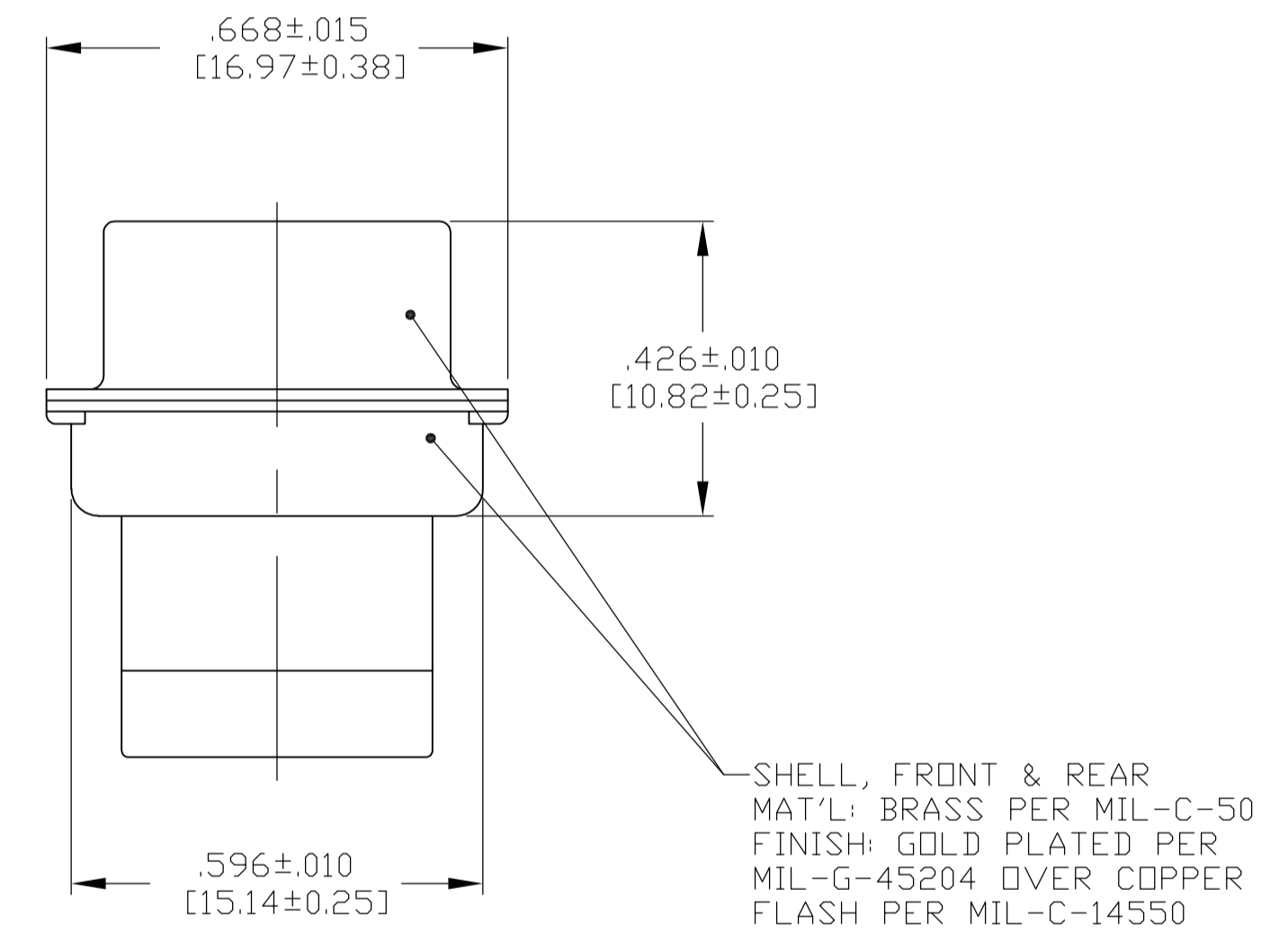
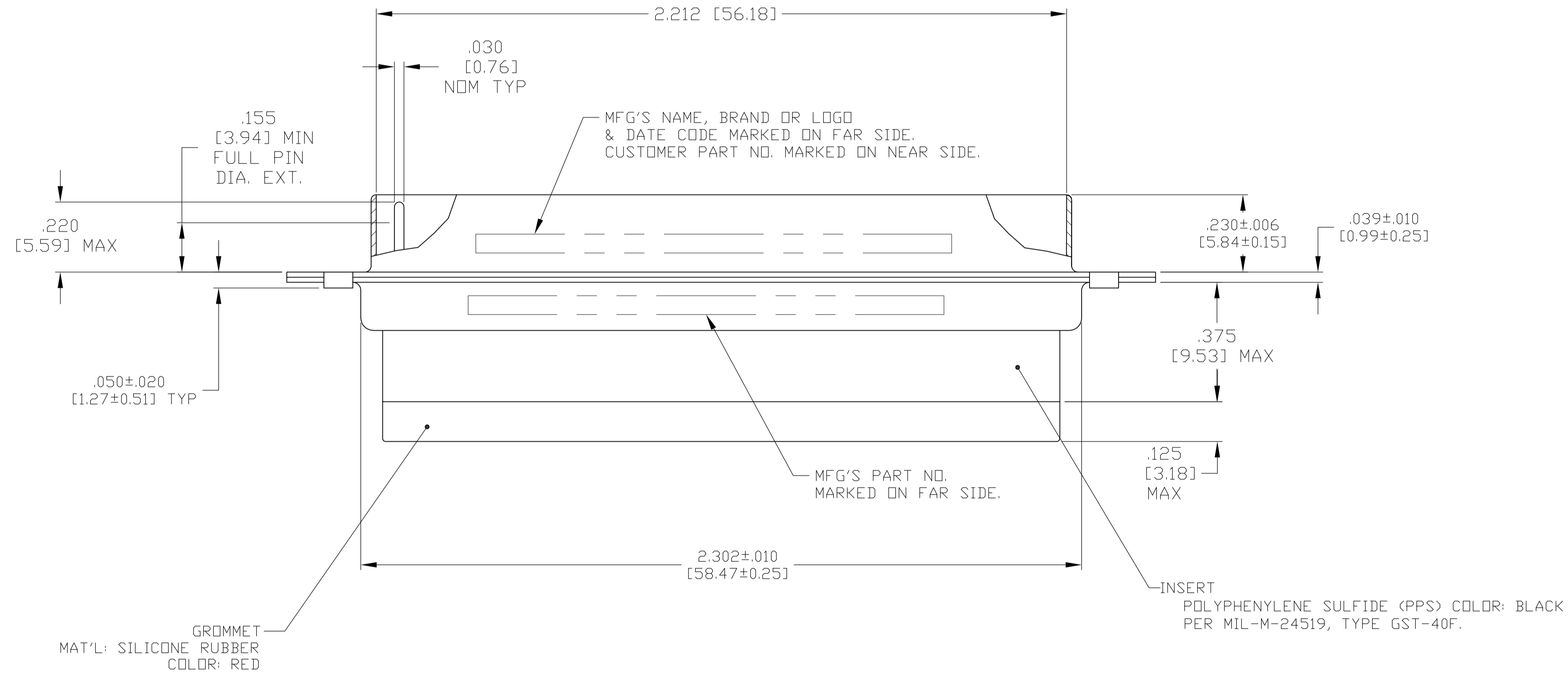
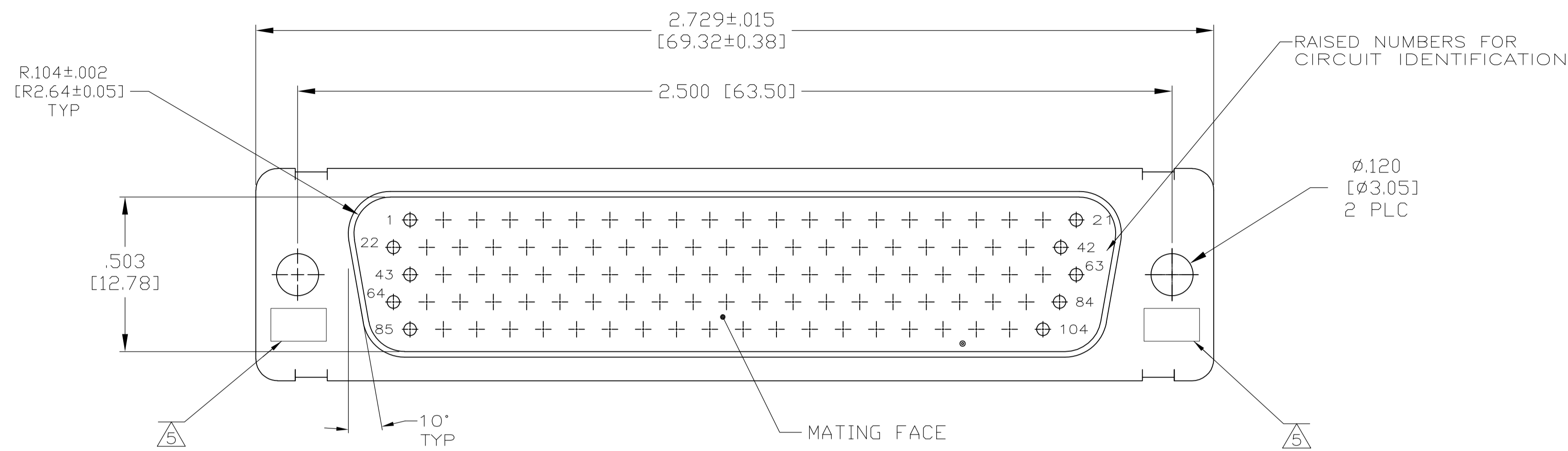


LOC		DIST		REVISIONS			
P	LTR	DESCRIPTION	DATE	DNW	APVD		
D		REV PER ECO-12-004103	15MAR12	PY	RL		



- THIS PLUG WILL MATE WITH ANY SIZE 6, 104 POSN. RCPT. IN AMPLIMITE SERIES.
 - MAXIMUM WIRE INSULATION USED WITH THIS PLUG IS .054 [1.37] DIA.
 - SINGLE LOT DATE CODE IS REQUIRED.
 - CONNECTOR SUPPLIED WITHOUT CONTACTS; SHOWN FOR ILLUSTRATION ONLY. (PER MIL-C-39029B/58-360)
- ▲ UL/CSA DESIGNATION STAMPED IN THIS AREA, OPTIONAL.

THIS DRAWING IS A CONTROLLED DOCUMENT.		DIN C.C.THOMAS 6-1-06	1883448-1
REMARKS		CUSTOMER PART NUMBER	PART NO.
DIMENSIONS: INCHES		APVD D.MILLER 6-1-06	NAME PLUG ASSY,AMPLIMITE,SIZE 6, SERIES 90, 104 POSITION, NON-MAGNETIC, SPECIAL WITH GROMMET
TOLERANCES UNLESS OTHERWISE SPECIFIED:		APPLICATION SPEC	SIZE A1
0 PLC ± -		WEIGHT	SCALE 4:1
1 PLC ± -		RESTRICTED TO	SHEET 1 OF 1
2 PLC ± -			REV D
3 PLC ± .005 [0.13]			
4 PLC ± - ± 1°			
ANGLES			
MATERIAL SEE CALLOUTS		FINISH SEE CALLOUTS	CUSTOMER DRAWING