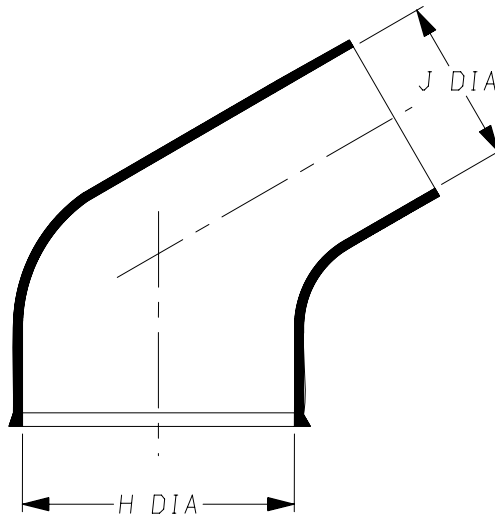
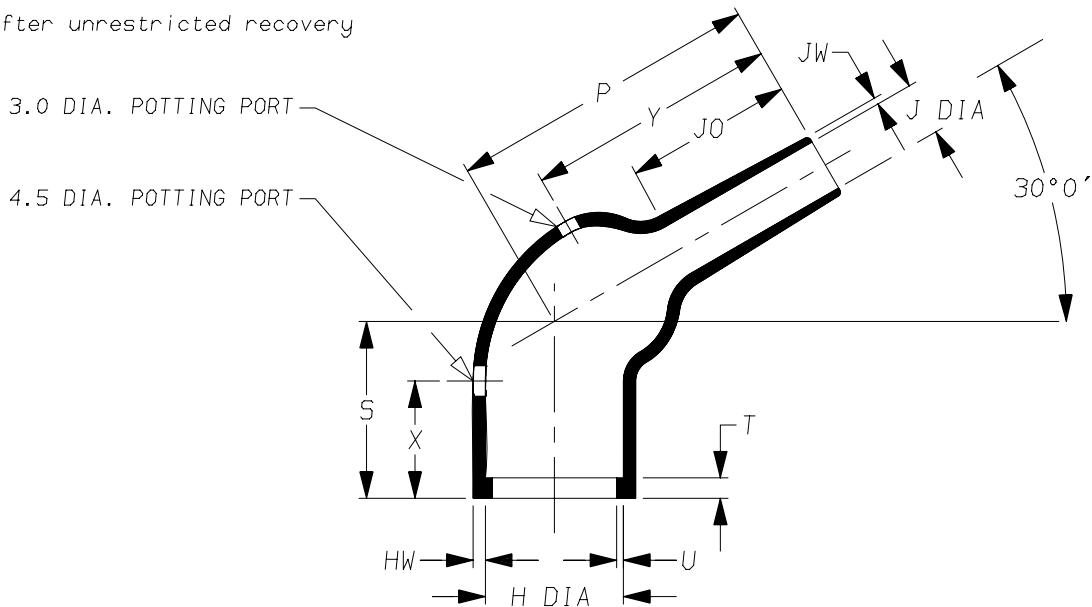


a) Part as supplied

264W012-12



b) Part after unrestricted recovery



DIMENSIONS in millimetres
(in inches, for reference)

Part No.	H		J		P	S	T	U	JO	HW	JW	X	Y
	MIN	MAX	MIN	MAX	±10%	±10%	±10%	±10%	±10%	±20%	±20%	±20%	±20%
	a	b	a	b	b	b	b	b	b	b	b	b	b
264W012-12	36 (1.42)	21.4 (0.84)	21 (0.83)	8.4 (0.33)	46 (1.81)	26 (1.02)	3.0 (0.12)	1.0 (0.04)	25 (0.98)	1.8 (0.07)	1.0 (0.04)	26 (1.02)	37 (1.46)

Copyright (!)

The copyright in this drawing is the property of Tyco Electronics UK Ltd. The drawing is issued on the condition that it is not copied, reproduced or disclosed to a third party, either in whole or in part without the prior written consent of Tyco Electronics UK Ltd.

Drawn A.LILLEY. Checked

Issue 2

Date January 2007

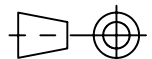
Conforms to ISO Recommendations

Approval
Design

MKTG.

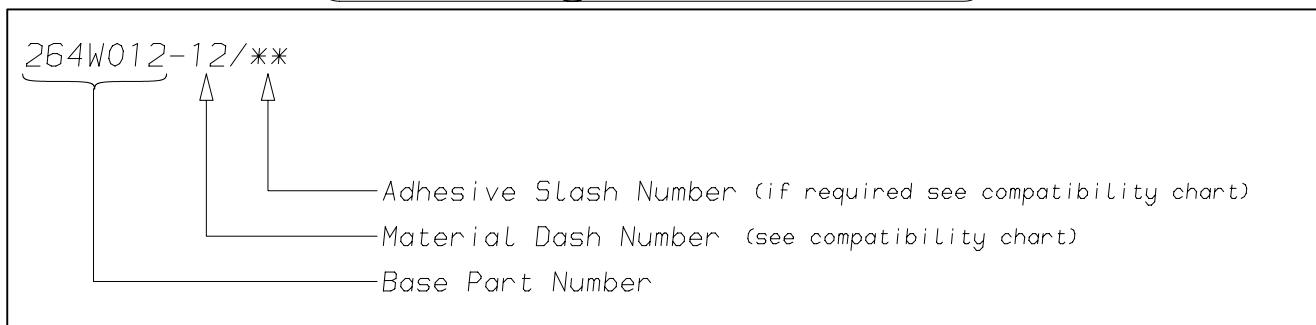
Q.A.

3rd Angle Projection
Not to Scale



Raychem		Specification Control Drawing	Part Number 264W012-12 Issue 2
Iss.	Date	E.C.R. No.	Details of Change
2	January 2007	CR06-DM-104	Material description name changed
2	January 2007	CR06-HM-012	Imperial dimensions added

(Ordering Information)



(COMPATIBILITY CHART)

Material Dash Number	Material Description	SPEC Number	Coating Slash Number
-12	FLUOROELASTOMER, FLEXIBLE	RT-1312, RW-2071	/225

NOTES

- ① As supplied dimensions are for uncoated parts, when coating is added entry diameters will reduce by 1.5mm Max.
- ② Potting Ports are optional, when specified by suffix "-00" they will be located as shown.

Tyco Electronics UK Ltd. Faraday Road, Swindon, Wiltshire, SN3 5HH England Telephone: (01793) 528171 Fax: 572516	Tyco Electronics Corporation 300, Constitution Drive, Menlo Park, CA 94025 USA Telephone (650) 361-3860 Fax: (650) 361-5579
Cage Code K1010	Cage Code 06090