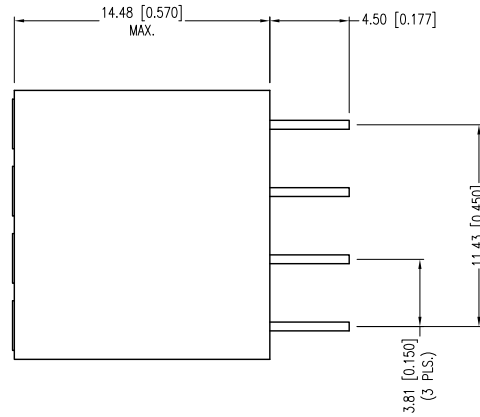
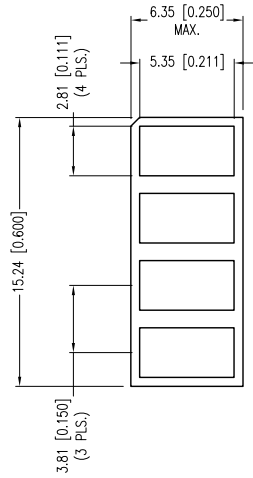


PART NUMBER	SSA-LXB4355Q38005	REV.	--
DATE	E.C.N. NUMBER AND REVISION COMMENTS		REV.
11.27.12	E.C.N. #10BRDR. & REDRAWN.		A

A



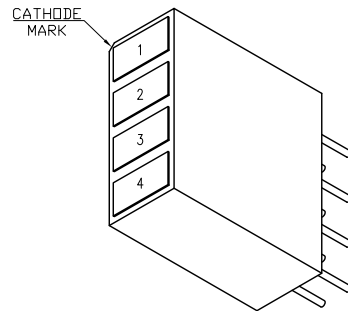
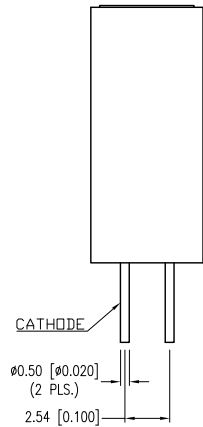
ELECTRO-OPTICAL CHARACTERISTICS Ta=25°C If=20mA

PARAMETER	RED	YELLOW	GREEN	UNITS	TEST COND
PEAK WAVELENGTH	636	590	574	nm	
FORWARD VOLTAGE (TYP.)	2.0	2.0	2.2	Vf	
FORWARD VOLTAGE (MAX.)	2.5	2.5	2.6	Vf	
REVERSE VOLTAGE	5.0	5.0	5.0	Vr	Ir=100µA
AXIAL INTENSITY	80	80	40	mcd	If=20mA
VIEWING ANGLE	160	160	160	2x theta	
LED POSITION	1	2,3	4		
LENS FINISH:	MILKY WHITE DIFFUSED				

LIMITS OF SAFE OPERATION AT 25°C PER CHIP

PARAMETER	COLORS	MAX	UNITS
PEAK FORWARD CURRENT*		150	mA
STEADY CURRENT	(R/Y/G)	30/30/25	mA
POWER DISSIPATION		105	mW
DERATE FROM 25°C		-1.2	mW/°C
OPERATING TEMP.		-40 TO +85	°C
STORAGE TEMP.		-40 TO +85	°C
SOLDERING TEMP.		+260	°C
2.0mm FROM BODY		3	SEC.

* t<10µS



*UNLESS OTHERWISE SPECIFIED TOLERANCES PER DECIMAL PRECISION ARE: X=±1 (±0.039), X.X=±0.5 (±0.020), X.XX=±0.25 (±0.010), X.XXX=±0.127 (±0.005). LEAD SIZE=±0.05 (±0.002), LEAD LENGTH=±0.75 (±0.030). MIN.= ^{+0.00} DECIMAL PRECISION MAX.= ^{-0.00} DECIMAL PRECISION

UNCONTROLLED DOCUMENT



425 N. GARY AVE.
CAROL STREAM, IL 60188-4900
PHONE: +1.800.278.5666
FAX: +1.630.315.2152
WEB: WWW.LUMEX.COM
MEMBER OF ITW PHOTONICS GROUP

3mm x 5mm RECTANGULAR CHIP ON BOARD ARRAY, POS.1 : RED, POS.2,3 YELLOW, POS.4: GREEN.

THE SPECIFICATIONS MAY CHANGE AT ANY TIME WITHOUT NOTICE DUE TO NEW MATERIALS OR PRODUCT IMPROVEMENT.

CONFIDENTIAL INFORMATION
THE INFORMATION CONTAINED IN THIS DOCUMENT IS THE PROPERTY OF LUMEX INC. EXCEPT AS SPECIFICALLY AUTHORIZED IN WRITING BY LUMEX INC., THE HOLDER OF THIS DOCUMENT SHALL KEEP ALL INFORMATION CONTAINED HEREIN CONFIDENTIAL AND SHALL PROTECT SAME IN WHOLE OR IN PART FROM DISCLOSURE AND DISSEMINATION TO ALL THIRD PARTIES.

DATE:	11.27.12	DRAWN BY:	MA
PAGE:	1 OF 1	CHKD BY:	SS
SCALE:	NTS	APRVD BY:	SS
UNIT:	mm [INCH]		

