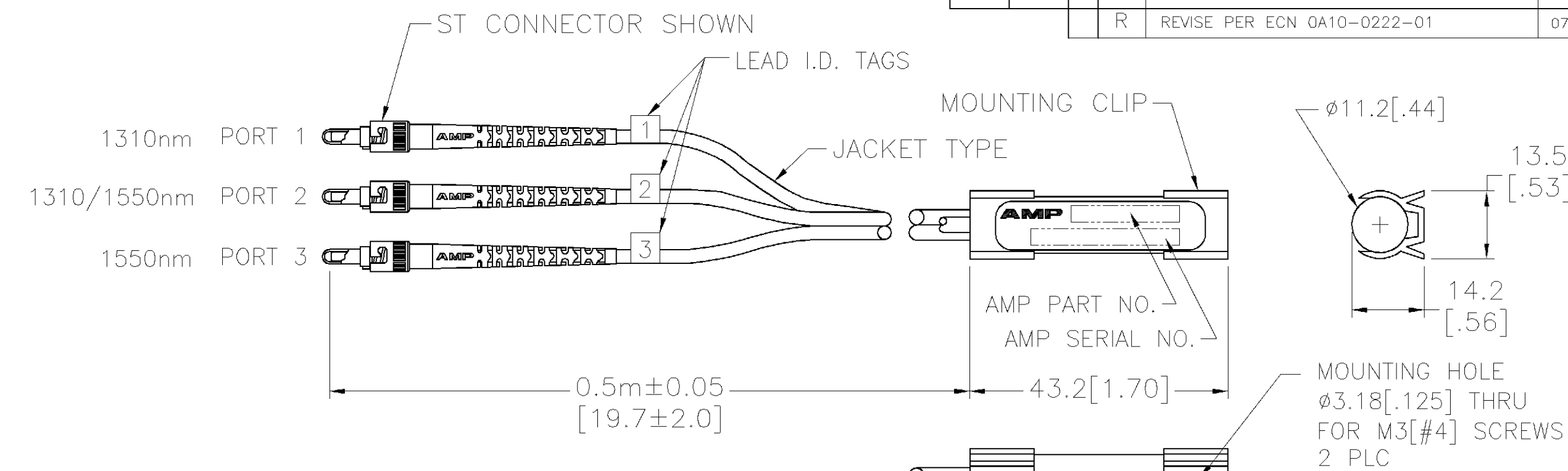


THIS DRAWING IS UNPUBLISHED. RELEASED FOR PUBLICATION
 © COPYRIGHT BY TYCO ELECTRONICS CORPORATION. ALL RIGHTS RESERVED.

LOC	DIST	REVISIONS			
P	LTR	DESCRIPTION	DATE	DWN	APVD
EA	17	R	REVISE PER ECN 0A10-0222-01	07NOV01	SU JM



SPECIFICATIONS:

UNCONNECTORIZED *
 INSERTION LOSS (PER FOTP-180):
 TYPICAL: 0.9dB
 MAXIMUM: 1.3dB
 DIRECTIVITY: (PORT 1-3/3-1)
 TYPICAL: ≥65dB
 MINIMUM: ≥55dB
 WAVELENGTH BANDPASS (nm):
 TYPICAL: 120nm
 MINIMUM: 100nm
 RETURN LOSS (REFLECTANCE):
 PORT 1: ≤-40dB
 PORT 2 & 3: ≤-55dB
 WITHOUT CONNECTORS
 ISOLATION:
 PORT 2-1: ≥35dB
 PORT 2-3: ≥40dB
 POLARIZATION SENSITIVITY: <0.2dB
 OPERATING TEMPERATURE: -20°C TO +60°C
 STORAGE TEMPERATURE: -20°C TO +60°C

* FOR ADDITIVE CONNECTOR LOSSES REFER TO AMP SPECIFICATION 115-56004.

PART NUMBER	LEAD DIA.	CONNECTOR TYPE
99717-4	3mm	FC/APC
99717-5	3mm	NONE
99717-6	3mm	FC/UPC
99717-7	3mm	ST/UPC
99717-8	3mm	SC/UPC
9-99717-4	0.9mm	FC/APC
9-99717-5	0.9mm	NONE
9-99717-6	0.9mm	FC/UPC
9-99717-7	0.9mm	ST/UPC
9-99717-8	0.9mm	SC/UPC

THIS DRAWING IS A CONTROLLED DOCUMENT.		DWN R. MONTANEZ 16NOV98	Tyco Electronics Corporation Harrisburg, PA 17057	
DIMENSIONS: MM [INCHES]		CHK H. McALLISTER 16NOV98		
TOLERANCES UNLESS OTHERWISE SPECIFIED:		APVD P. DUBENKO 16NOV98	NAME DEMUX, 1310/1550nm 0.9µm FIBER	
0 PLC ± - 1 PLC ± 1.0 [.04] 2 PLC ± 0.38 [.015] 3 PLC ± - 4 PLC ± - ANGLES ± 2'		PRODUCT SPEC -	SIZE A3 CAGE CODE 00779 DRAWING NO C-99717 RESTRICTED TO -	
MATERIAL -		APPLICATION SPEC -	SCALE NTS SHEET 1 OF 1 REV R	
FINISH -		WEIGHT -	CUSTOMER DRAWING	