

PRODUCT NUMBER
93696-YXXLF

RoHS COMPATIBLE, SEE NOTE 6

NUMBER OF POSITIONS PER ROW: 03 TO 50.

PLATING CODE

3= 0.76µm GOLD ON CONTACT AREA.

2µm MIN MATTE TIN ON TAIL.

4= 2µm MIN MATTE TIN FULL PLATED

1.27µm Ni MIN UNDERPLATING

NOTES:

- 1 - HOUSING MAT'L: THERMOPLASTIC GLASS FILLED
FLAME RETARDANT PER UL 94 V-0 COLOR: GREY.
- 2 - TERMINAL MATERIAL: PHOSPHOR BRONZE.
- 3 - 3 UP TO 50 POSITIONS PRODUCT PACKED IN TUBE.
- 4 - TO DETERMINE DIMENSIONS:
N = NUMBER OF POSITIONS PER ROW
EXAMPLE: 8 POS: $((N+2) \times 2.54) - 0.08 = 25.32$ mm.
- 5 - $\phi 2.65$ MINI FOR ASSEMBLY WITHOUT INSERTION EFFORT.
- 6 - RoHS COMPATIBLE PRODUCT SPECIFICATIONS

a - PLATING:

- "LF" MEANS THE PRODUCT IS LEAD-FREE,
2µm MINIMUM MATTE TIN OVER 1.27µm
MINIMUM NICKEL UNDERPLATE.

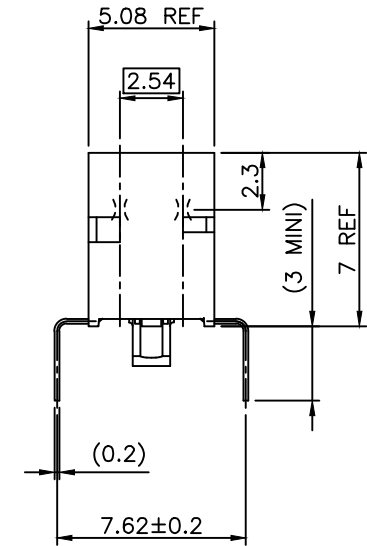
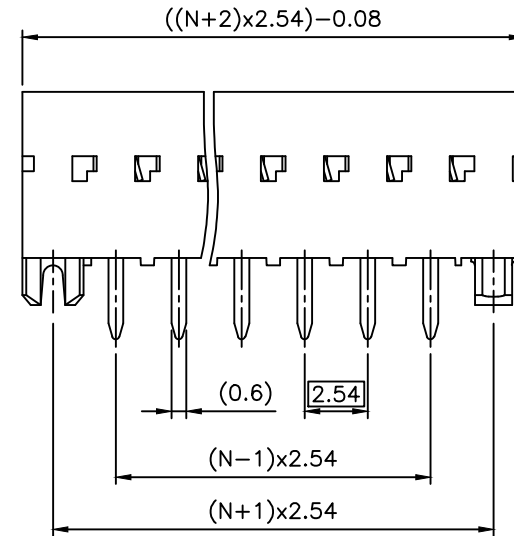
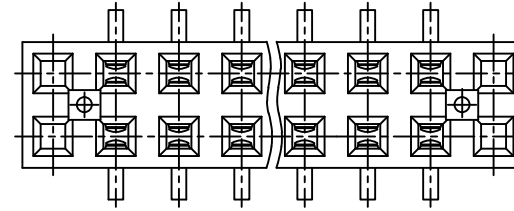
b - MANUFACTURING PROCESS COMPATIBILITY

- THE HOUSING WILL WITHSTAND EXPOSURE TO
260°C ±5°C SOLDER BATH TEMPERATURE FOR
5 SECONDS IN A WAVE SOLDER APPLICATION
WITH A 1.6mm MIN THICK CIRCUIT BOARD.

c - LABELING:

- MEETS PACKAGING SPECS AS PER GS-14-920

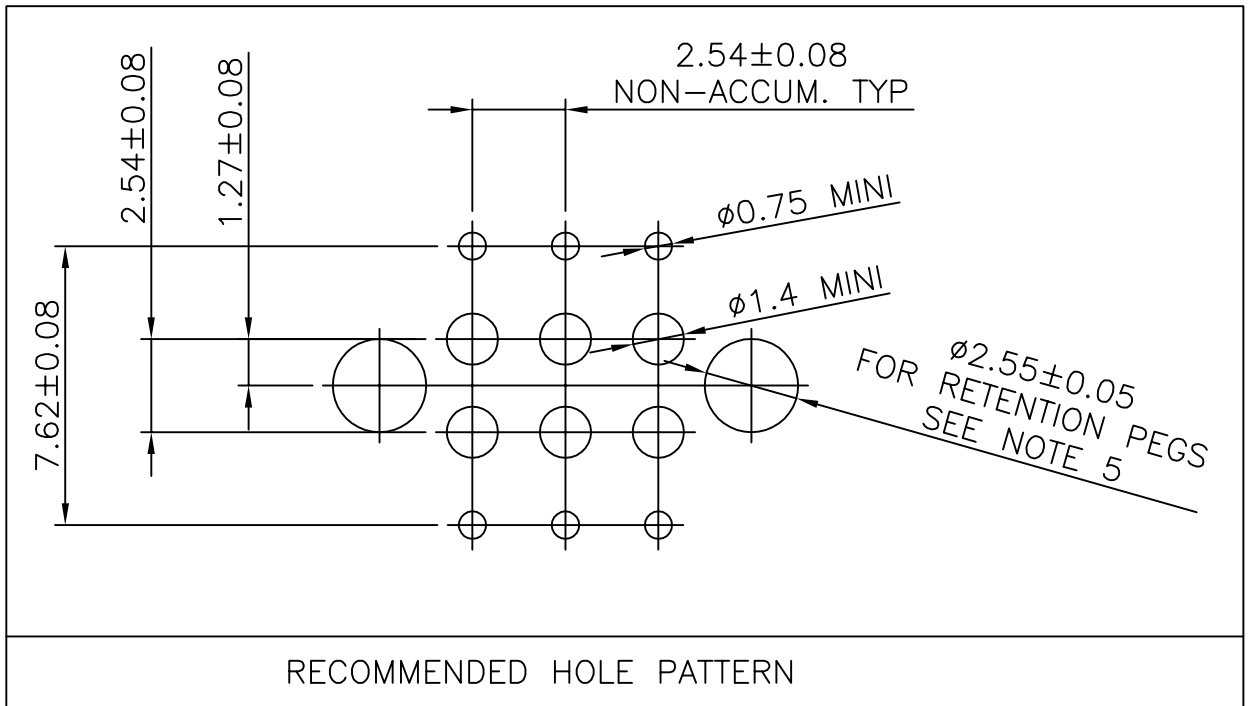
d - LEGAL STATEMENT: SEE GS-47-0004



mat'l. code SEE NOTES		surface ISO 1302 <input checked="" type="checkbox"/> ISO 406 ISO 1101		tolerance ISO 406 ISO 1101		projection 		product family DUBOX	
ltr	ecn no	dr	date	tolerances unless otherwise specified		mm		title	
L	F06-0204	DLE	06.06.28	angles	Linear	mm		BtB RECEPT.	
M	F06-0323	DLE	06.11.21	±2°		scale 5:1		VERT DR TMT	
N	B-19124	LMU	14.10.21					dwg no	
				dr	P.NIZZI	95.09.20	sheet 1 of 2		size
H	F10116	GCO	01.01.23	enrg	JM.PHAMVAN	95.09.20	93696		A3
J	F04-0347	DLE	04.11.15	chr	P.NIZZI	95.09.20	type		CUSTOMER Drawing
K	F06-0137	DLE	06.02.27	appd	JM.P	95.09.20			
sheet	revision	N	B						
index	sheet	1	2						

A

A



B

B

C

C



FCIconnect.com

Copyright FCI

mat'l. code SEE NOTES				surface ISO 1302 ✓		tolerance ISO 406 ISO 1101		projection 		product family DUBOX			
ltr	ecn no	dr	date	tolerances unless otherwise specified		angles		mm 		title BtB RECEPT. VERT DR TMT			
A	F04-0347	DLE	04.11.15	±0.3		linear		scale 5:1		dwg no		sheet 2 of -	size
B	F06-0204	DLE	06.06.28	±2'						93696			A4
				dr	D LEGRAND	04.11.15				type		CUSTOMER	Drawing
				enr	P NIZZI	04.11.15							
				chr	D LEGRAND	04.11.15							
				appd	P NZ	04.11.15							
sheet index	revision sheet												

D

D