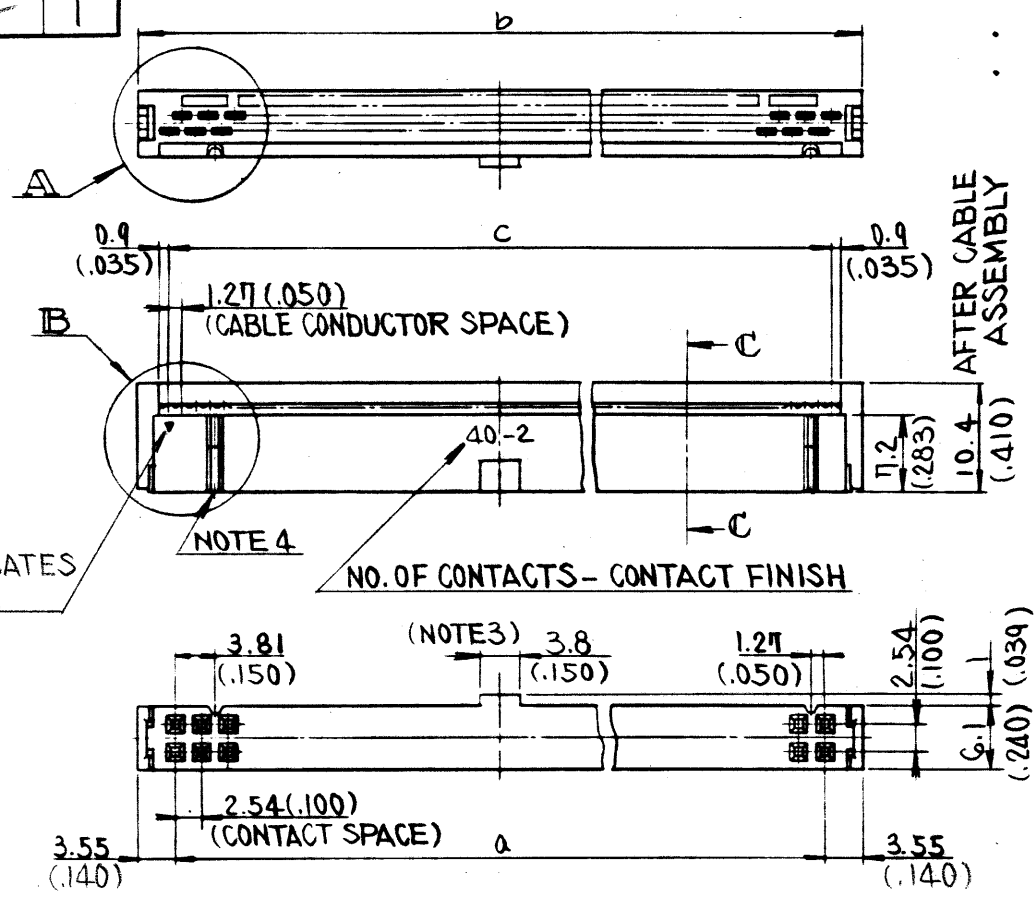


SJ017713-E 1



NOTE 1. CONTACT FINISH

	4		
	GOLD 20 MICROINCHES OVER NICKEL		
	GOLD FLASH		
	3		
MATING PORTION	1	2	3
OTHER AREA	GOLD FLASH	GOLD 10 MICROINCHES OVER NICKEL	GOLD 30 MICROINCHES OVER NICKEL
	GOLD FLASH		

- 2, COVER WILL BE SUPPLIED PARTIALLY ASSEMBLED TO THE HOUSING AS SHOWN.
- 3, THE POLARIZING KEY IS NON-EXISTENT ON THE 10 POSITION CONNECTOR.
- 4, THE POLARIZING FEATURE ON THIS END IS NON-EXISTENT ON THE 10 POSITION CONNECTOR.

IDENTIFICATION

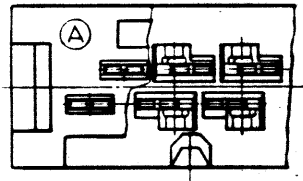
PS-50SM-D4PI-*D	
SERIES PREFIX	COVER CONFIGURATION
NO. OF CONTACTS (SEE TABLE 1)	D-DAISY-CHAIN TYPE
TYPE OF CONNECTOR	CONTACT FINISH (SEE NOTE 1)
S-SOCKET CONTACT RESEPTACLE	APPLICABLE WIRE SIZE
CONTACT CONFIGURATION	1-AWG 28 STRANDED AND SOLID
CONTACT ROW D-DOUBLE	TYPE OF TERMINATION
CONTACT SPACE 4-2.54(.100)	P-SELF PIERCING (INSULATION DISPLACEMENT)

TABLE 1. PART NO., NO. OF CONTACTS AND DIMENSIONS

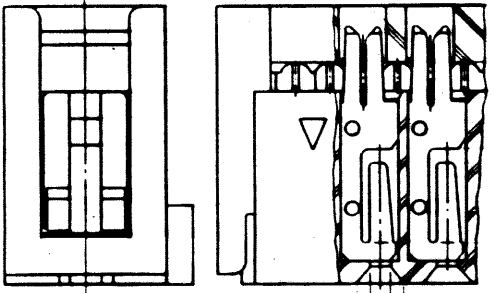
PART NO.	NO. OF CONTACTS	DIMENSIONS		
		a	b	c
PS-10SM-D4PI-*D	10	10.16 (.400)	17.26 (.680)	11.43 (.450)
↑ 16 ↑	↑ 16 ↑	17.78 (.700)	24.88 (.980)	19.05 (.750)
20	20	22.86 (.900)	29.96 (1.180)	24.13 (.950)
26	26	30.48 (1.200)	37.58 (1.480)	31.75 (1.250)
30	30	35.56 (1.400)	42.66 (1.680)	36.83 (1.450)
34	34	40.64 (1.600)	47.74 (1.880)	41.91 (1.650)
40	40	48.26 (1.900)	55.36 (2.180)	49.53 (1.950)
↓ 50 ↓	↓ 50 ↓	60.96 (2.400)	68.06 (2.680)	62.23 (2.450)
PS-60SM-D4PI-*D	60	73.66 (2.900)	80.76 (3.180)	74.93 (2.950)

APPLICABLE FLAT RIBBON CABLES.
 CONDUCTOR AWG 28 STRANDED AND SOLID.
 INSULATION P.V.C. MAXIMUM THICKNESS: 1.1 (.044)
 MATING PIN
 CROSS SECTION: 0.64 (.025) SQ. OR 0.64 (.025) DIA.
 LENGTH 6~7 (.236~.276)

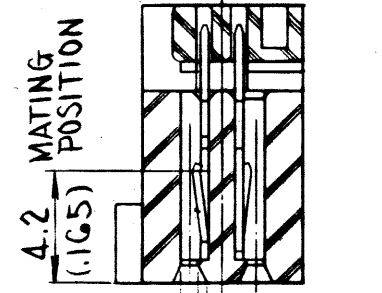
DETAIL A



DETAIL B



SECTION C-C



3	HOUSING	1	P.B.T	NONE	UL94V-0
2	COVER	1	P.B.T	NONE	UL94V-0
1	CONTACT	SEE TABLE 1	BERYLLIUM COPPER	SEE NOTE 1	
ITEM	DESCRIPTION	Q'TY	MATERIAL	FINISH	REMARK

UNLESS OTHERWISE SPECIFIED			DATE	TITLE		PS-*SM-D4PI-*D SOCKET RECEPTACLE DAISY CHAIN TYPE	JAE-CONNECTOR.COM <small>IND. CO. LTD. FACTORY</small> <small>NAKAGAMI-CHO, TAKISHIMA-SHI</small> <small>TOKYO, JAPAN</small>
DIMENSIONS ARE IN MILLIMETERS			20 JAN. 1983	SCALE NONE DWG. SIZE B WT.			
TOLERANCES ON: (INCHES)			DRAWN <i>H. Tsuchiya</i> CHECKED <i>M. Miyagishi</i> APP'D <i>Y. Hayashi</i>				
FRACTIONS DECIMALS ANGLES 3rd			APP'D <i>T. Yajima</i>				
TREATMENT OR FINISH					DWG. NO. SJ017713-E SHEET		

NEXT ASS'Y	USED ON	NEXT ASS'Y	FINAL ASS'Y
APPLICATION	QTY REQ'D		