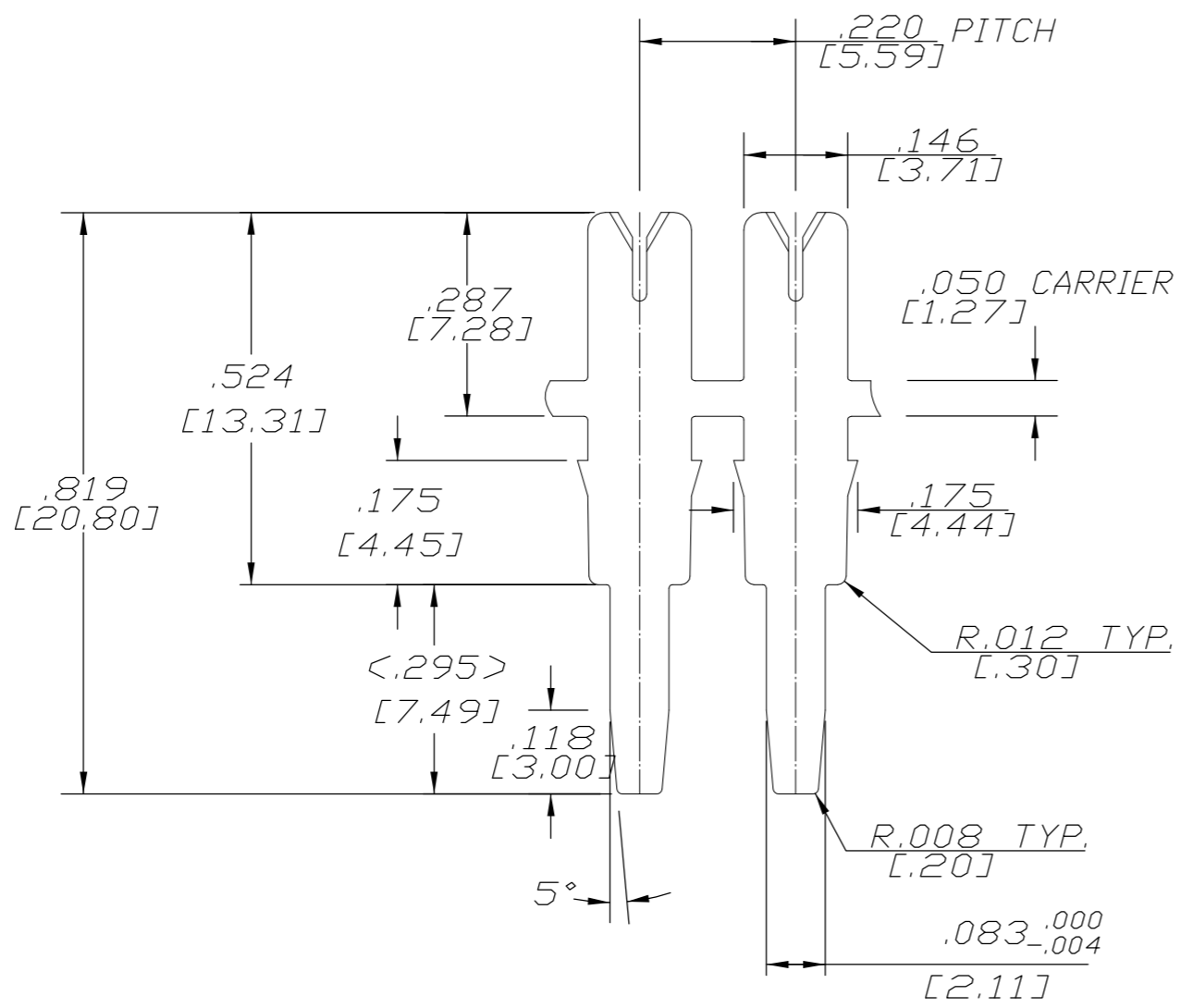
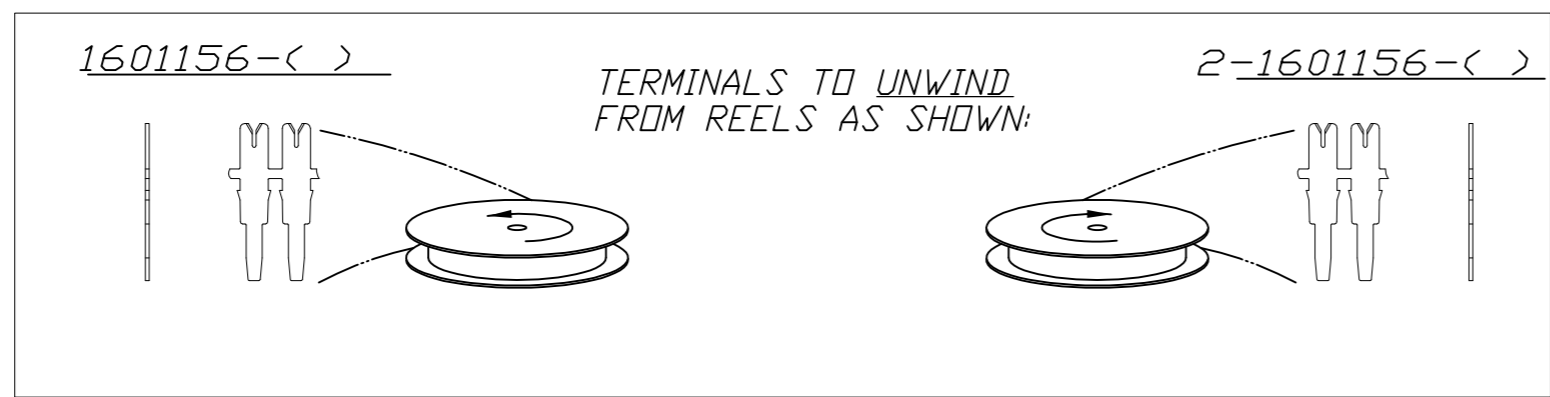
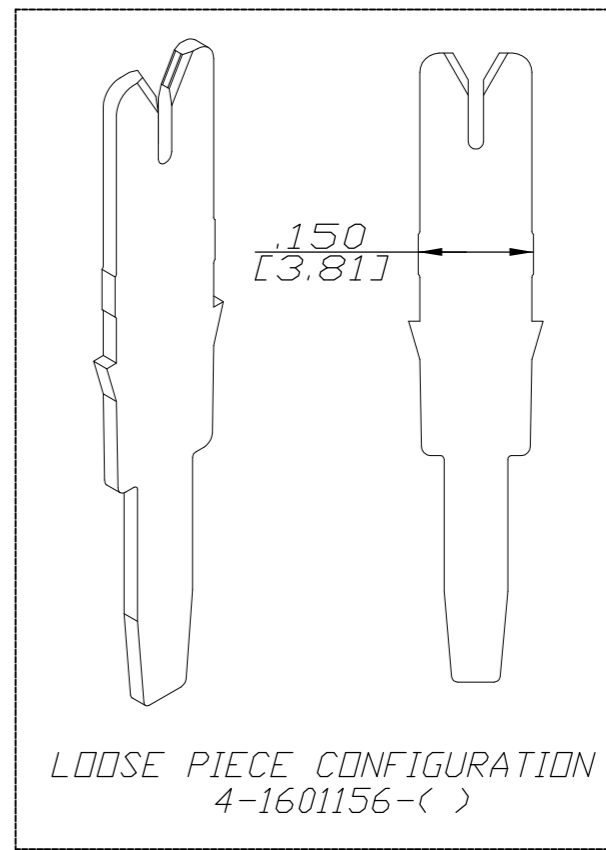


THIS DRAWING IS UNPUBLISHED. RELEASED FOR PUBLICATION  
 © COPYRIGHT BY TYCO ELECTRONICS CORPORATION. ALL RIGHTS RESERVED.

LOC	DIST	REVISIONS					
		P	LTR	DESCRIPTION	DATE	DWN	APVD
AF	50		B	REV PER 0G63-0094-02	15AUG02	JR	KR
			B1	REVISED PER ECO-09-024606	28OCT09	KK	AEG



- SPECIFICATIONS:**  
LEAD WIRE #20 AWG,  
INSULATED LEAD WIRE.  
MAX INSULATION O.D. .115" (2.9MM)  
NO STRIPPING REQUIRED. OTHER  
SIZES MAY BE ACCOMMODATED,  
CONSULT TYCO ELECTRONICS FOR APPROVAL.
- POCKET RECOMMENDATION:**  
CONSULT TYCO ELECTRONICS FOR POCKET  
RECOMMENDATIONS.
- NOTES:**  
TERMINALS SUPPLIED ON REELS,  
CAN BE SUPPLIED LOOSE PIECE,
- 4** OBSOLETE PARTS: OBSOLETE CIS STREAMLINING  
PER D.RENAUD/D.SINISI



**4** OBSOLETE

-	-	-
-	-	-
-	-	-
-	-	-
Unplated	159-028-000	2-1601156-1
Unplated	159-027-000	1601156-1
FINISH	REFERENCE PART NUMBER	TYCO PART NUMBER
THIS DRAWING IS A CONTROLLED DOCUMENT.		
DIMENSIONS: INCHES	TOLERANCES UNLESS OTHERWISE SPECIFIED:	DWN J.WELLER 11JAN2002 CHK M.FEHER 11JAN2002 APVD K.RANDOLPH 11JAN2002 PRODUCT SPEC APPLICATION SPEC 408-8629 WEIGHT - CUSTOMER DRAWING
0 PLC ± - 1 PLC ± - 2 PLC ± .01[0.13] 3 PLC ± .005[0.26] 4 PLC ± - ANGLES ± 2°	MATERIAL BRASS, SPRING HARD FINISH SEE TABLE	Tyco Electronics Corporation Harrisburg, PA 17105-3608 NAME GROUND TAB TO 20 AWG. SEMI-RIGID I.D.C. SIAMEZE TERMINAL SIZE A2 CAGE CODE 00779 DRAWING NO. 1601156 RESTRICTED TO - SCALE 4:1 SHEET 1 OF 1 REV B1