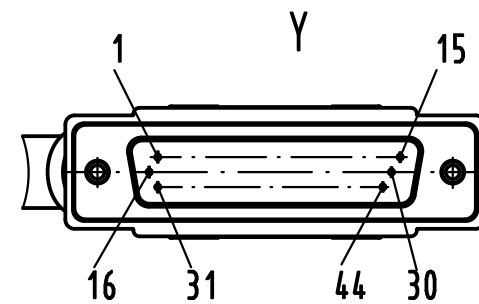
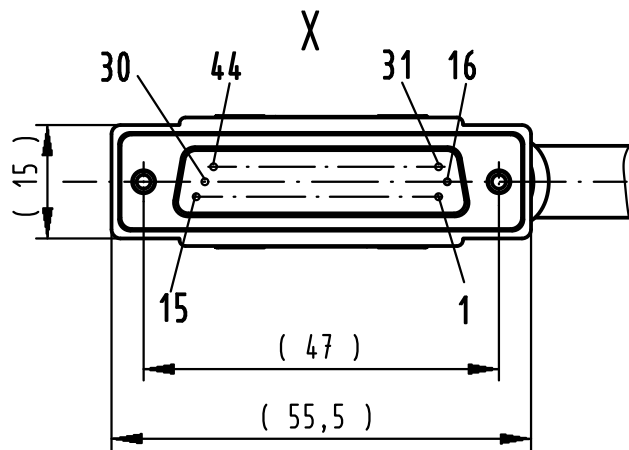


Wires loading

Pair no.	Pin	Wire	Pair no.	Pin	Wire
1	1	blue	13	24	green
	6	white		31	red
2	2	blue	14	25	green
	3	yellow		26	black
3	4	blue	15	27	green
	5	red		42	white/blue
4	7	blue	16	28	brown
	8	black		29	white
5	9	blue	17	32	brown
	12	white/blue		33	yellow
6	10	orange	18	34	brown
	11	white		35	red
7	13	orange	19	36	brown
	14	yellow		39	black
8	15	orange	20	37	brown
	30	red		38	white/blue
9	16	orange	21	40	grey
	21	black		41	white
10	17	orange	22	43	grey
	18	white/blue		44	yellow
11	19	green	23		not connected (grey/red)
	20	white			
12	22	green	24		not connected (grey/black)
	23	yellow			
		Cu-foil			shield



-Temperature range: -5°C ... +80°C

**For Information Only**  
-won't be replaced when changed-

Cont No.	Type of cable	Part-No.	Dim. a
4	Cable 24AWG26	33 56 221 005 0001	5 m
3	Cable 24AWG26	33 56 221 002 0001	2 m
2	Cable 24AWG26	33 56 221 001 0001	1 m
1	Cable 24AWG26	33 56 224 500 0001	0.5 m

<p>All Dimensions in mm Original Size DIN A 3</p>	Techn. Character.			Nicht tolerierte Maß/Free size tolerances	
		Dat.	Name	Maßstab/Scale	
		02.06.09	MS	2:1	
		02.06.09	RA		
			Cord 2xD-Sub male HD 44 pole overmolding		
			TB 33 56 22x xxx 0001		
DRS509B	12.02.10	MS	HARTING Electronics GmbH & Co. KG		
Mod.	Dat.	Name	D-32339 ESPELKAMP		
			Sub.		