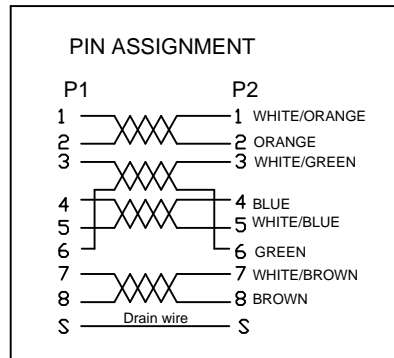


② TOLERANCE

| Length(meter) | Max-M | Mix-M |
|---------------|-------|-------|
| 0.3 | 0.03 | 0.025 |
| 0.5 | 0.03 | 0.025 |
| 1 | 0.04 | 0.035 |
| 2 | 0.06 | 0.06 |
| 3 | 0.09 | 0.09 |
| 5 | 0.15 | 0.15 |
| 7 | 0.21 | 0.21 |
| 10 | 0.3 | 0.3 |
| 15 | 0.45 | 0.45 |
| 20 | 0.6 | 0.6 |
| 30 | 0.9 | 0.9 |



Order Code:

① A-MCSP-80XXX : color Grey

② Order lengths in meter: 0.3,0.5,1,2,3,5,7,10,15

A-MCSP-80XXX/X

② Order lengths in meter: 0.3,0.5,1,2,3,5,7,10,15
 Order color:(R)Red,(Y)Yellow (G)Green,(B)Blue

Electrical
 100% short,open,miswire test

| 3 | mold | PVC,50P | 9.0 | G |
|----|---------|---|-----|------|
| 2 | plug | 8P8C plating gold 3U" with metal shield | 2 | PCS |
| 1 | cable | FTP (26AWG*1P)*4+D+A+PVC, OD:5.2±0.2mm | 2.0 | M |
| NO | PART NO | DESCRIPTION | QTY | UNIT |

RoHS compliant
 Unit:: mm

| Scale | FREE | | | | | Date | Name | Customer-No. |
|-----------|------|-----|------------------------------|------------|--------|----------|------------|--|
| TOLERANCE | | | | | | Drawn | 26.06.2015 | Joanna |
| X. | ±X | | | | | Approved | 29.06.2016 | Joanna |
| X.X | ±X | ③ | remove mark on the mould | 29.06.2016 | Joanna | | | ASSMANN WSW-No. A-MCSP-80XXX/X |
| X.XX | ±X | ② | Add length for 300mm | 18.05.2015 | Joanna | | | Drawing-No. |
| DIM | TOL | ① | Add P/N and change tolerance | 15.12.2015 | Joanna | | | ASS 7425 CA |
| ANGLE | ±X° | ④ | Drawn | 26.06.2015 | Joanna | | | rev03 |
| Angle | TOL | Id. | Modification | Date | Name | Replace | Sheet | |