

DIN rail mounting frame - HC-CIF-B24-HFWL-PL - 1424337


Please be informed that the data shown in this PDF Document is generated from our Online Catalog. Please find the complete data in the user's documentation. Our General Terms of Use for Downloads are valid (<http://phoenixcontact.com/download>)



HEAVYCON DIN rail mounting frame, for type B24 contact inserts



Key Commercial Data

Packing unit	1 STK
GTIN	 4 055626 370750
GTIN	4055626370750

Technical data

Dimensions

Length	170 mm
Width	42 mm
Height	61 mm

Ambient conditions

Ambient temperature (operation)	-40 °C ... 125 °C
---------------------------------	-------------------

General

Size	B24
Material	PC
Flammability rating according to UL 94	V0
Color	traffic grey
Note	for B24, BB48, DD108, HV10 contact inserts and B24 module frame

Standards and Regulations

Flammability rating according to UL 94	V0
--	----

Environmental Product Compliance

REACH SVHC	Lead 7439-92-1
China RoHS	Environmentally Friendly Use Period = 50

DIN rail mounting frame - HC-CIF-B24-HFWL-PL - 1424337

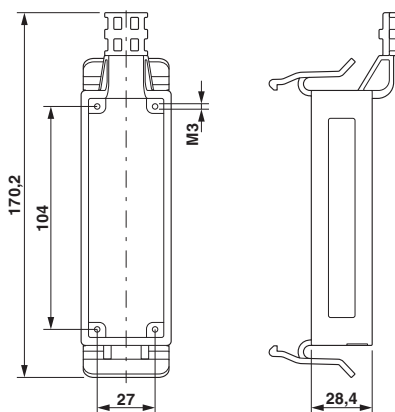
Technical data

Environmental Product Compliance

	For details about hazardous substances go to tab "Downloads", Category "Manufacturer's declaration"
--	---

Drawings

Dimensional drawing



Dimensional drawing

Approvals

Approvals

Approvals

EAC

Ex Approvals

Approval details

EAC		EAC-Zulassung
-----	--	---------------

Phoenix Contact 2018 © - all rights reserved
<http://www.phoenixcontact.com>

PHOENIX CONTACT GmbH & Co. KG
Flachsmarktstr. 8
32825 Blomberg
Germany
Tel. +49 5235 300
Fax +49 5235 3 41200
<http://www.phoenixcontact.com>