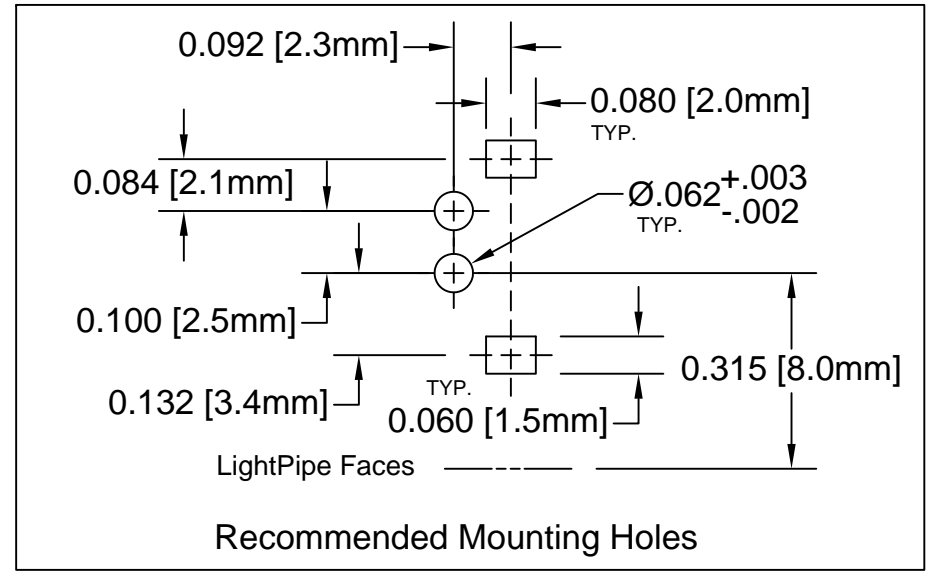
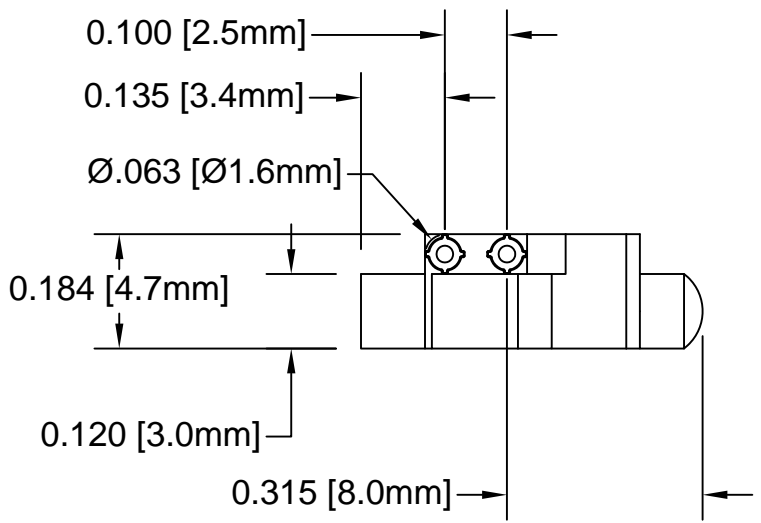
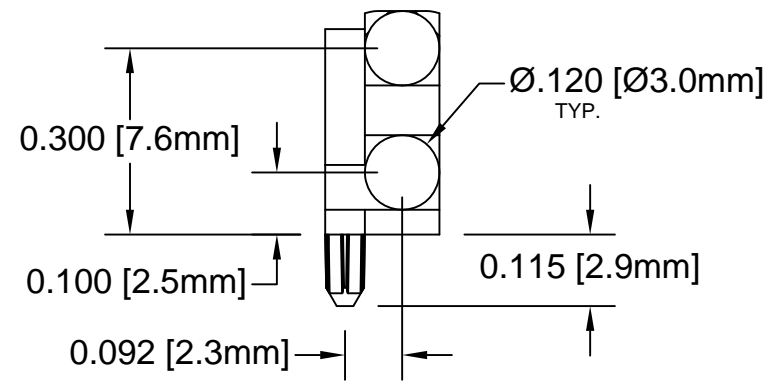
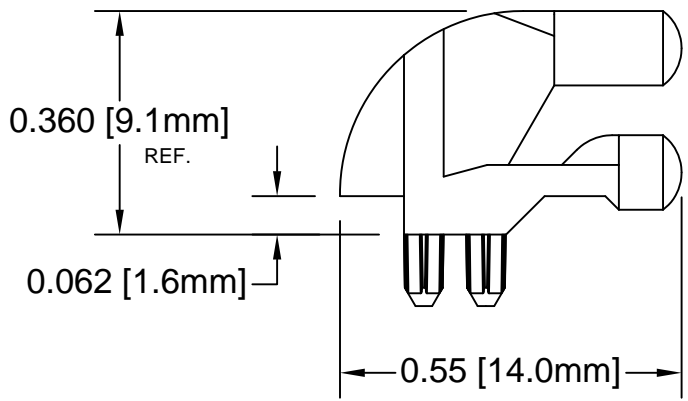


REV.	DESCRIPTION	DATE	APPROVED
B	Engineering Update w/o Changes	03/08/04	M. C.
C	Added Color Options, Sheet #2.	02/02/16	J. C.



2. MATERIAL: POLYCARBONATE 94V-0 CLEAR.

1. GENERAL SPECIFICATIONS: BIVAR MOLDED COMPONENT SPECIFICATION BV00-E101.

STANDARD TOLERANCE (UNLESS OTHERWISE SPECIFIED)	
DECIMALS	ANGULAR
.X ± .1	X° ± 1°
.XX ± .01	
.XXX ± .005	

**BIVAR**<sup>®</sup>  
 4 THOMAS, IRVINE, CA. 92618  
 TEL: (949) 951-8808 FAX: (949) 951-3974

<b>TITLE:</b> LIGHT PIPE, 2 HIGH, RIGHT ANGLE	
<b>DESIGNED:</b> Michael Chen	<b>DATE:</b> 10/09/01
<b>CHECKED:</b> S. Irving	<b>DATE:</b> 10/09/01
<b>PART NO:</b> LP-230	<b>REVISION:</b> C
<b>CAGE CODE :</b> 32559	<b>SHEET #</b> 1 OF 2
CAD GENERATED DOCUMENT. DO NOT MEASURE DRAWING.	

**OTHER AVAILABLE COLORS**

\* SEE TABLE FOR ORDERING INFORMATION

REV.	DESCRIPTION	DATE	APPROVED
	SEE SHEET #1		



**LP-230**         

RIGID LIGHT PIPE  
SERIES

COLOR	Order Code
BLUE	BE
BLACK	BK
GREEN	GN
GRAY	GY
RED	RD
YELLOW	YW

NOTE: LEAVE ORDER CODE BLANK  
IF NO COLOR IS DESIRED.

3. PARTS ARE DYED TO COLOR UPON REQUEST.

STANDARD TOLERANCE ( UNLESS OTHERWISE SPECIFIED ) DECIMALS                      ANGULAR		 4 THOMAS, IRVINE, CA. 92618 TEL: (949) 951-8808    FAX: (949) 951-3974	
			
DESIGNED: <b>K. Aukshunas</b>	DATE: <b>01/22/16</b>	<b>TITLE:</b> LIGHT PIPE, 2 HIGH, RIGHT ANGLE	
CHECKED: <b>J. Chiang</b>	DATE: <b>01/22/16</b>	<b>PART NO:</b> LP-230	REVISION: <b>C</b>
		<b>CAGE CODE :</b> 32559	<b>SHEET # 2 OF 2</b>
CAD GENERATED DOCUMENT. DO NOT MEASURE DRAWING.			