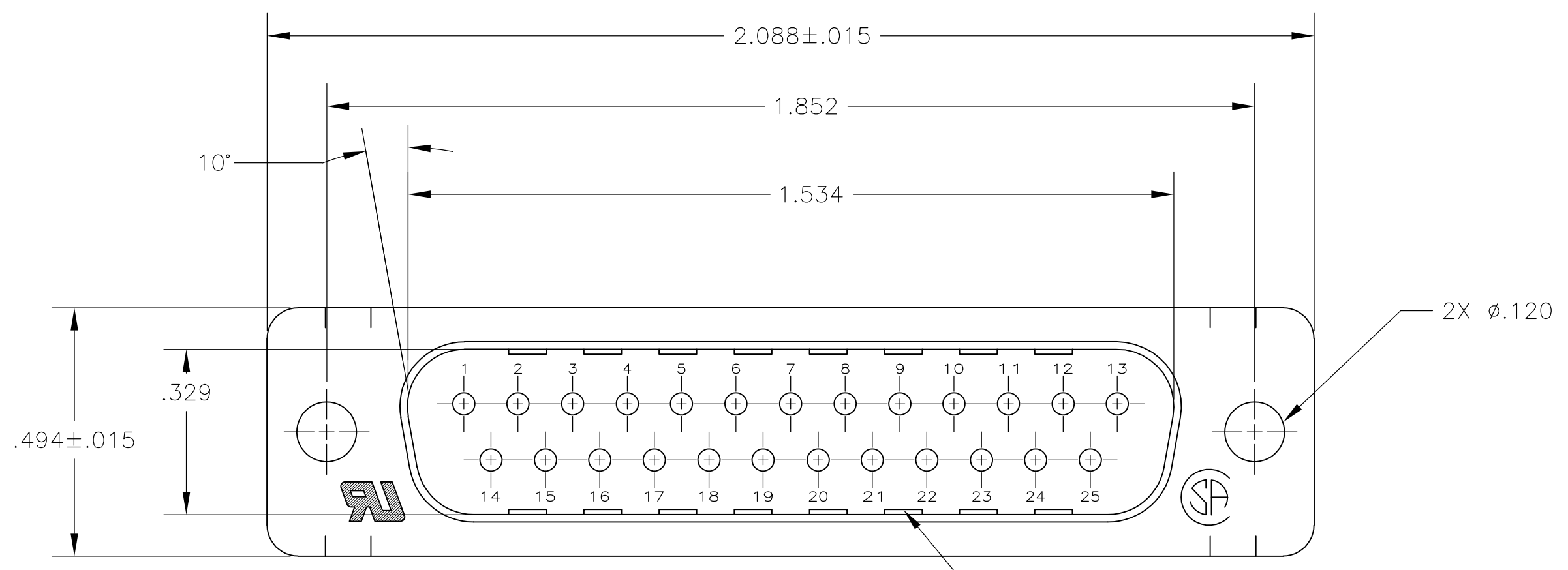
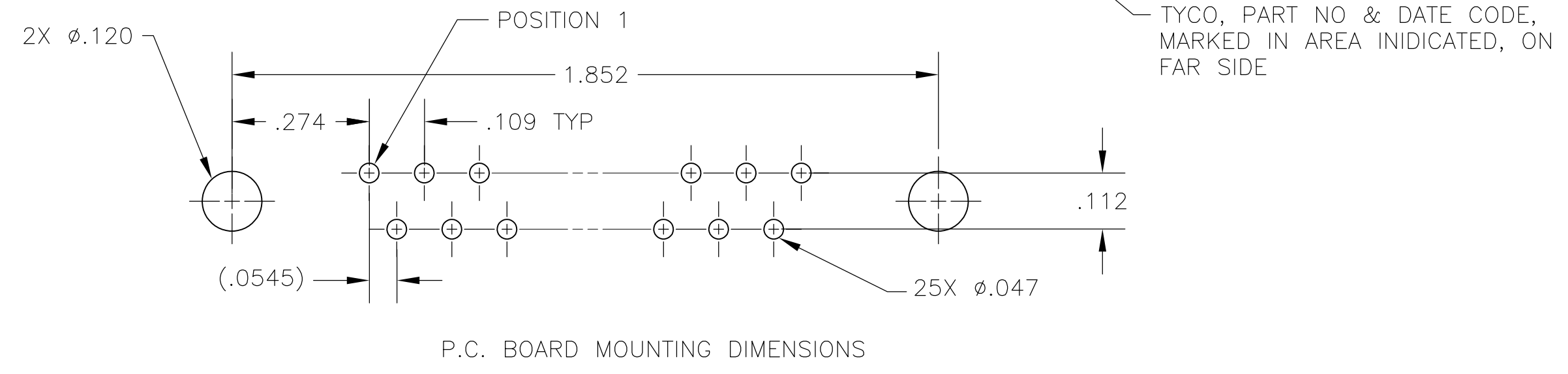
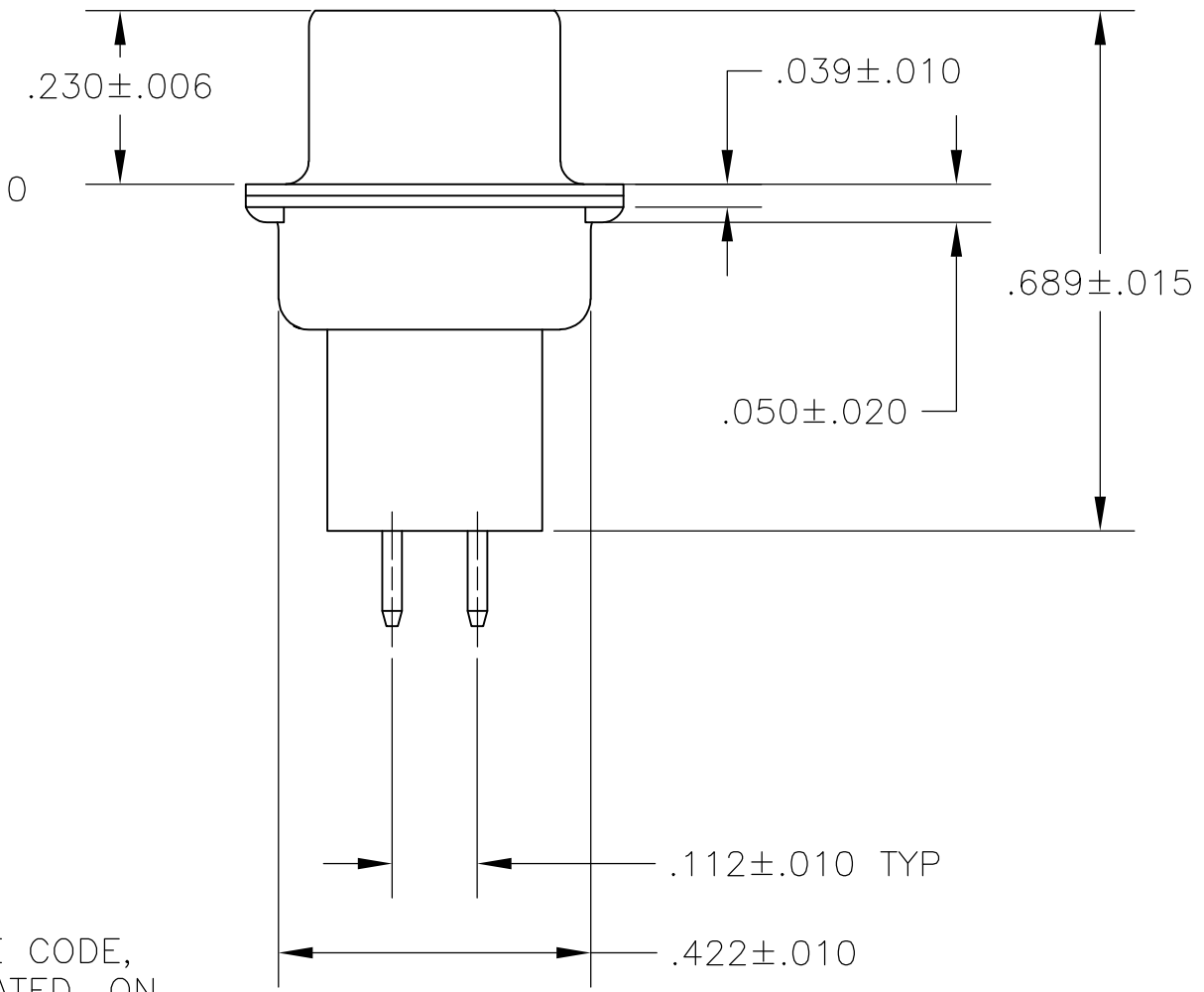
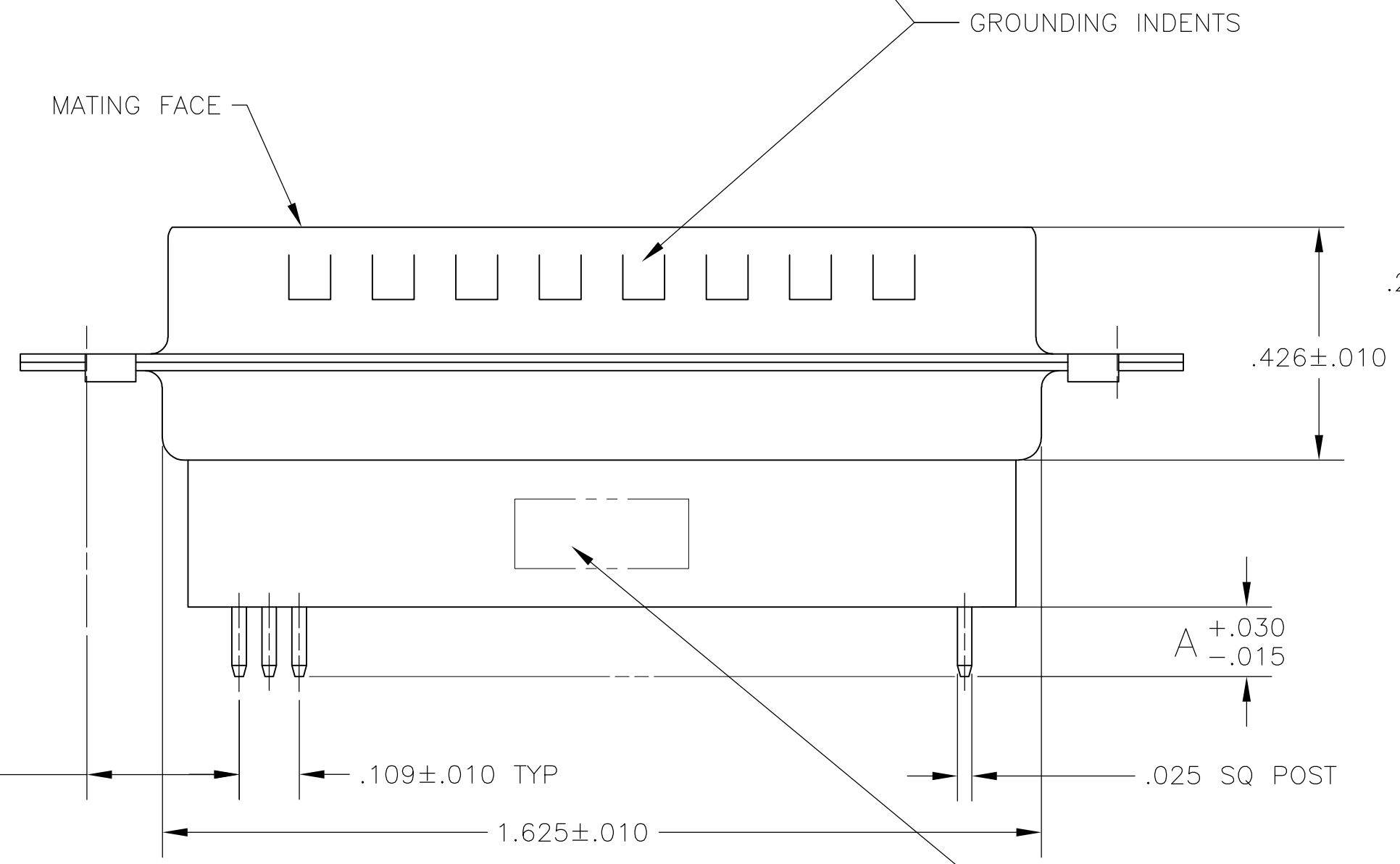


THIS DRAWING IS UNPUBLISHED. RELEASED FOR PUBLICATION
 © COPYRIGHT 2005 By - ALL RIGHTS RESERVED.

LOC		DIST		REVISIONS			
P	LTR	DESCRIPTION	DATE	DWN	APVD		
GP	00						
	D	REVISED PER ECO-14-011808	11AUG2014	AP	SB		



1 MOLDED PARTS: GLASS-FILLED PBT OR GLASS-FILLED NYLON, UL94V-0 RATED. COLOR: BLACK.
 SHELLS: CARBON STEEL.
 CONTACTS: BRASS.
 2 SHELLS: .000200 MIN TIN OVER .000100 MIN COPPER.
 CONTACTS: GOLD PLATING FOR A LENGTH OF .150 MIN FROM MATING END, .000030 MIN GOLD IN MATED AREA, .000100 MIN TIN ON SOLDER END, BOTH OVER .000050 MIN NICKEL.1
 -OR-
 GOLD FLASH OVER PALLADIUM-NICKEL PLATED FOR A LENGTH OF .150 MIN FROM MATING END, .000030 MIN TOTAL IN MATED AREA, .000100 MIN TIN ON SOLDER END, BOTH OVER .000050 MIN NICKEL.



TYCO, PART NO & DATE CODE, MARKED IN AREA INDICATED, ON FAR SIDE

.188	5745412-7
.125	5745412-1
A	PART NO

THIS DRAWING IS A CONTROLLED DOCUMENT.		DWN	16SEPT05	 TE Connectivity	PLUG ASSEMBLY, SIZE 3, 25 POSN, VERTICAL, .025 SQ. POSTS, GROUNDING INDENTS, AMPLIMITE HDP
DIMENSIONS: INCHES		CHK	16SEPT05		
TOLERANCES UNLESS OTHERWISE SPECIFIED:		APVD	16SEPT05		
0 PLC ± - 1 PLC ± - 2 PLC ± - 3 PLC ± .005 4 PLC ± - ANGLES ± - FINISH		NAME			
MATERIAL		B. LATTUCA S. BOLASH M. WALMSLEY		SIZE	108-40025
1		2		CAGE CODE	114-40013
CUSTOMER DRAWING		SCALE		DRAWING NO	114-40013
		NTS		RESTRICTED TO	-
		SHEET		SCALE	A2 00779 C=5745412
		1 of 1		REV	D

5745412