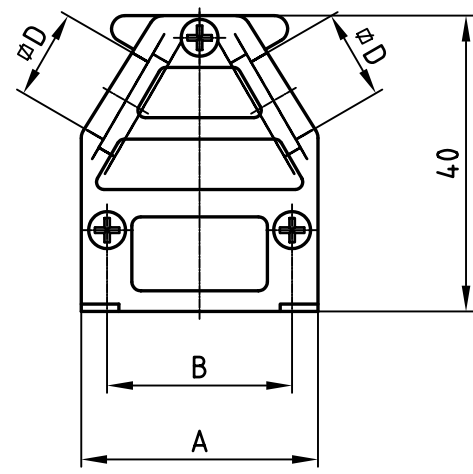
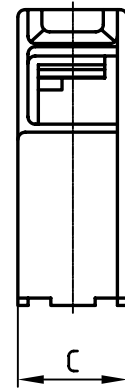


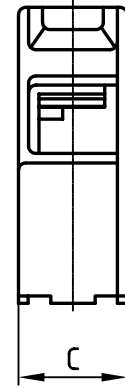
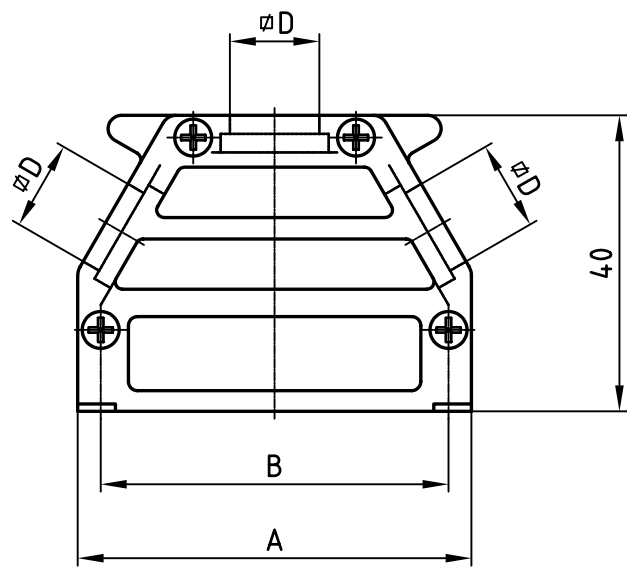
used for: D-SUB



(b)



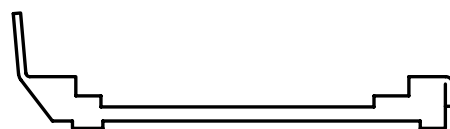
9pos.



15pos. - 50pos.

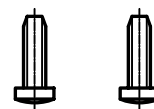


spring



slide lock

(b)



screws

| No. of pos. | A | B | C | ∅D | Blind Plug included | Part-No. Bulk package | Part-No. Single package |
|-------------|------|------|------|------|---------------------|-----------------------|-------------------------|
| 9 (b) | 32.0 | 25.0 | 14.8 | 12.1 | 1 | 165X11659X | 165X11659XE |
| 15 | 39.3 | 33.3 | 14.8 | 12.1 | 2 | 165X11669X | 165X11669XE |
| 25 | 53.2 | 47.0 | 14.8 | 12.1 | 2 | 165X11679X | 165X11679XE |
| 37 | 69.5 | 63.5 | 14.8 | 12.1 | 2 | 165X11689X | 165X11689XE |
| 50 | 67.0 | 61.1 | 17.8 | 14.6 | 2 | 165X11699X | 165X11699XE |

APPROVAL # FREIGABE # DEBLOCAGE # AUTORIZACION # APPROVAL

CUSTOMER APPROVAL DATE:

NAME: TITLE:

COMPANY NAME:

APPROVAL # FREIGABE # DEBLOCAGE # AUTORIZACION # APPROVAL

THIS DRAWING MAY NOT BE COPIED OR REPRODUCED IN ANY WAY, AND MAY NOT BE PASSED ON TO A THIRD PARTY WITHOUT WRITTEN PERMISSION. OWNERSHIP AND COPYRIGHT OF CONEC GmbH DO NOT ALTER CAD DRAWING BY HAND

| rev. | description | date | name |
|-------|-------------|----------|-------|
| 1 x c | Ä 3720 | 18.08.10 | Lehm. |
| 4 x b | Ä 2240 | 24.05.05 | HS |
| a | Origin | | |

| tolerance | | dim. in mm | |
|-----------|--------|-----------------|--|
| 2002 | date | name | |
| drawn | 25.06. | Schmidt | |
| appd. | 25.06. | E. Mickenbecker | |
| norm | | | |
| d-old | | | |

scale: 1:1

material: Hood: die-cast zinc

title: METAL HOOD
EMI/RFI SHIELDING 9 - 50 pos.
with slide lock

dwg no: AutoCAD 2000
16K1A688

part no: SEE TABLE

DIN-A 3 sh:1/1

