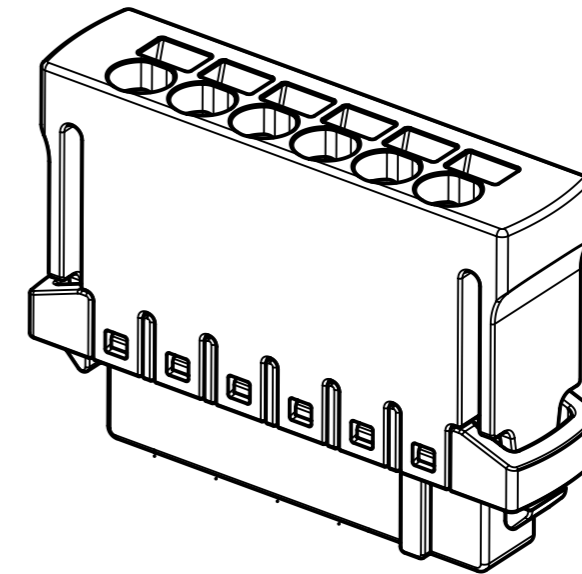
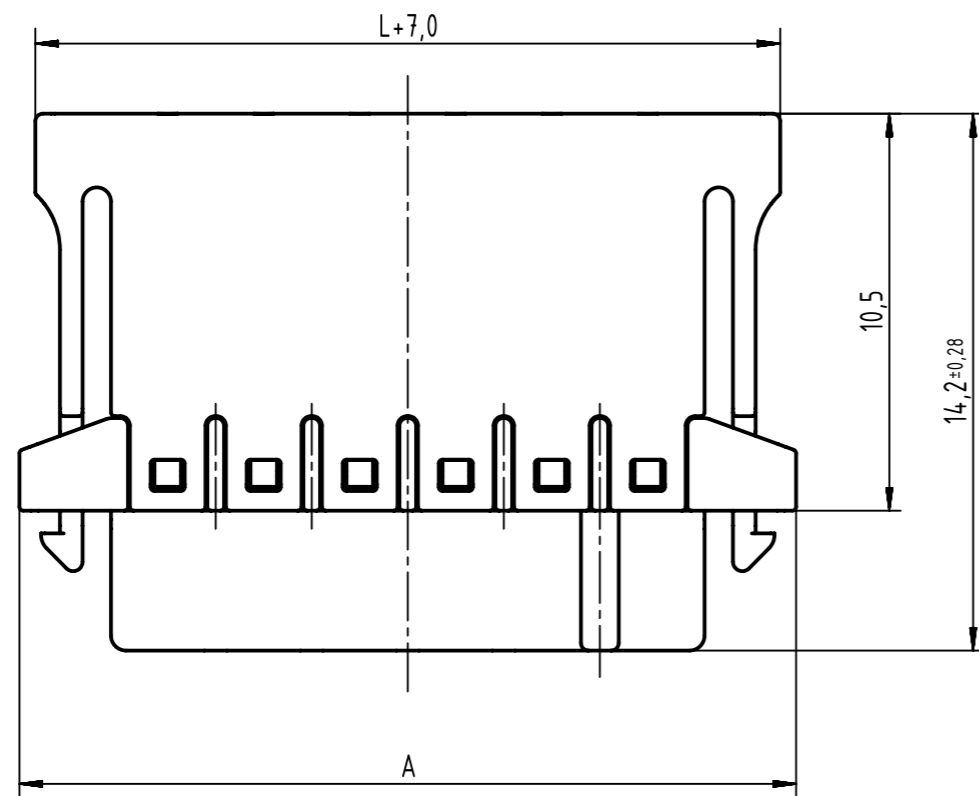
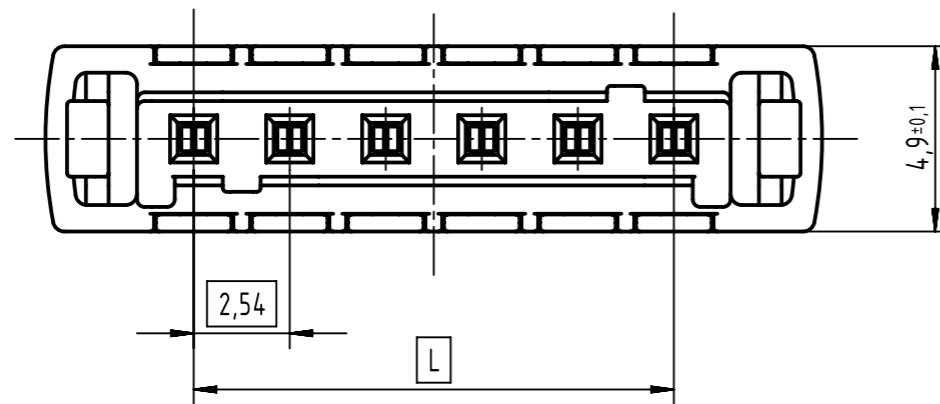



contact-position — 1



further information see: DS 14312102001

12	14311213101000	27,94	35,78
11	14311113101000	25,40	33,24
10	14311013101000	22,86	30,70
9	14310913101000	20,32	28,16
8	14310813101000	17,78	25,62
7	14310713101000	15,24	23,08
6	14310613101000	12,70	20,54
5	14310513101000	10,16	18,00
4	14310413101000	7,62	15,46
3	14310313101000	5,08	12,92
2	14310213101000	2,54	10,38
number of contacts	part number	L = 2,54 x (pole -1)	
		A	

	All rights reserved Department EC PD - DE	Created by	Inspected by	Standardisation	Date	State
		HASSE	FRIESENH	KOHLER	2013-10-09	Final Release
HARTING Electronics GmbH D-32339 Espelkamp		Title har-flexicon female-connector			Doc-Key / ECM-Nr. 100230267/UGD/038/B 50000067079	
Type	TB	Number	1431XX13101000		Rev.	B
					Page	1/1