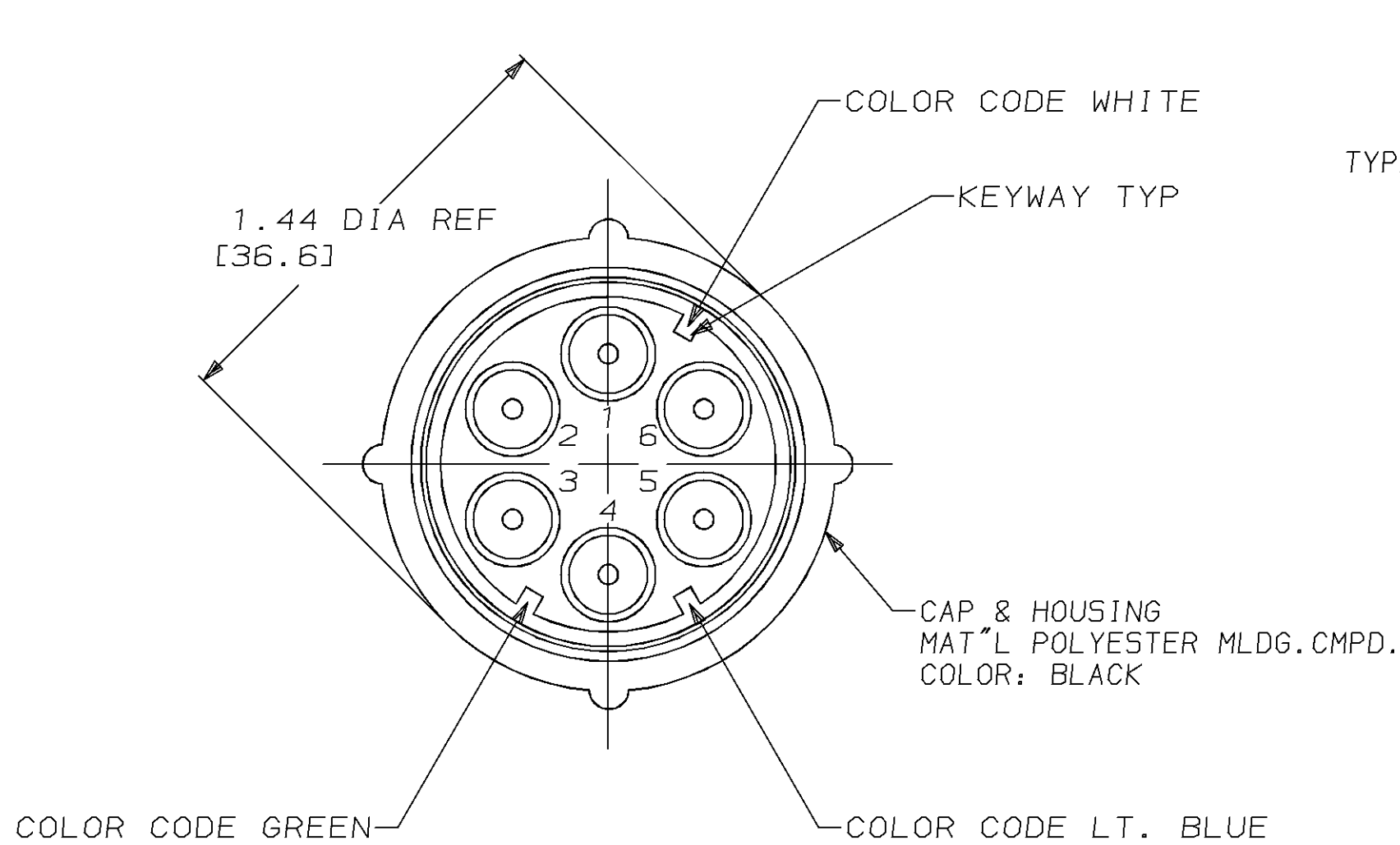
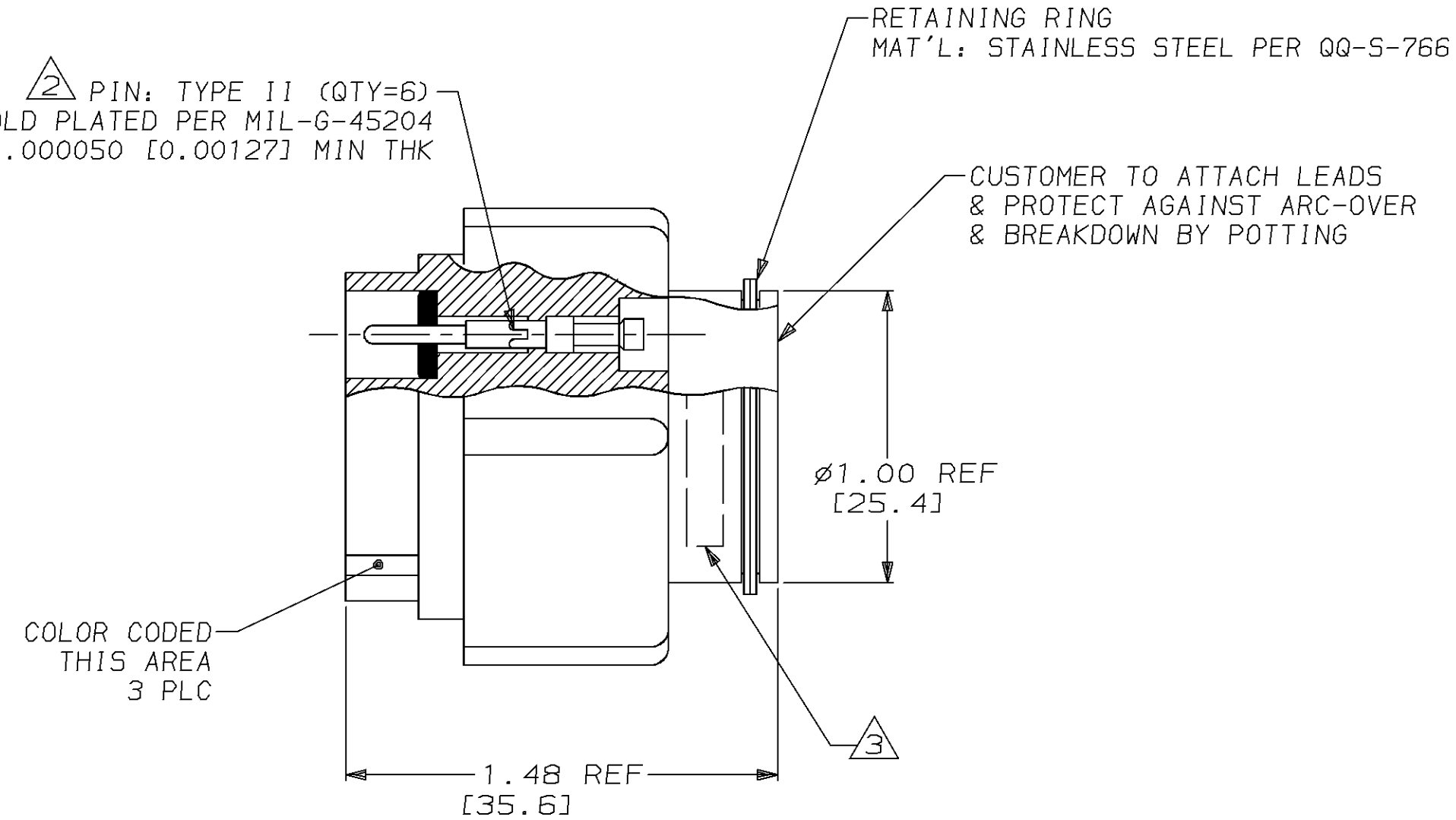


| PROD CODE | LOC | DIST | P | F | ZONE | LTR | DESCRIPTION | DATE | APPD |
|-----------|-----|------|---|---|------|-----|--------------------------------|------|------|
| 4085 | DF | 50 | | | | B | REV & REDRAWN; 0600-3588-95 CT | 3-95 | CS |



② PIN: TYPE II (QTY=6)
 GOLD PLATED PER MIL-G-45204
 TYPE II .000050 [0.00127] MIN THK



1. PLUG ASS'Y WILL WITHSTAND WITHOUT BREAKDOWN 27 KVDC PIN TO PIN & 27 KVDC PIN TO GROUND WHEN MATED WITH RECEPT.
- ② TYPE II PINS TO ACCEPT (1) 20 AWG, (1) 22 AWG, OR (1) 24 AWG STRANDED WIRE. USE AMP HAND TOOL #45099.
- ③ MARKED PER MIL-STD-130 WITH WHITE INK (AMP INFO).
4. PLUGS AND PINS TO BE PACKAGED SEPARATELY.
5. TO REMOVE PINS USE EXTRACTION TOOL #861751-1.

| | | | | |
|------------------------|----------|------------|-----------------|----------|
| | 155336 | YES | 20, 22, 24 | 868384-2 |
| SUPERSEDED BY 868384-2 | A166866 | YES | 20, 22, 24 | 868384-1 |
| | CUST P/N | COLOR CODE | RANGE WIRE SIZE | PART NO. |

| | | | | |
|--|--|---|--------------------|------------------------|
| DO NOT SCALE PRINT. UNLESS SPECIFIED DIMENSIONS IN INCHES [mm] TOLERANCES ON : 2 PLC DEC ± - 3 PLC DEC ± - ANGLES ± - | DR 3-31-95 C.C. THOMAS CHK 3-31-95 C. SHELLY APPD 3-31-95 C. SHELLY | AMP Incorporated Harrisburg, PA 17105-3608 NAME PLUG KIT, LGH, 6 POSN. | | |
| MATERIAL SEE CALLOUT | APPD 3-31-95 C.C. THOMAS PRODUCT SPEC - | | | |
| FINISH SEE CALLOUT | APPLICATION SPEC - | SIZE C | CAGE CODE 00779 | DRAWING NO G=868384 |
| | WEIGHT - | SCALE 2:1 | | SHEET 1 OF 1 |

THIS DRAWING IS A CONTROLLED DOCUMENT FOR AMP INCORPORATED. IT IS SUBJECT TO CHANGE AND THE CONTROLLING ENGINEERING ORGANIZATION SHOULD BE CONTACTED FOR THE LATEST REVISION.