

PART NAME: KNOB SCALE: 1:1 DATE: 10/3/96 DR. BY HD

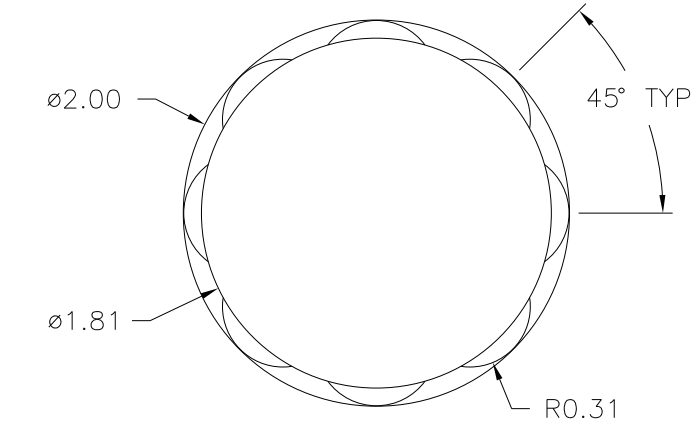
THIS DRAWING IS THE PROPERTY OF DAVIES MOLDING COMPANY, IS SUBMITTED SOLELY AS A DESIGN OR ENGINEERING PROJECT. WE ACCEPT NO RESPONSIBILITY WHATSOEVER FOR THE PRACTICAL APPLICATION OF THE PIECES MADE TO THIS DESIGN.



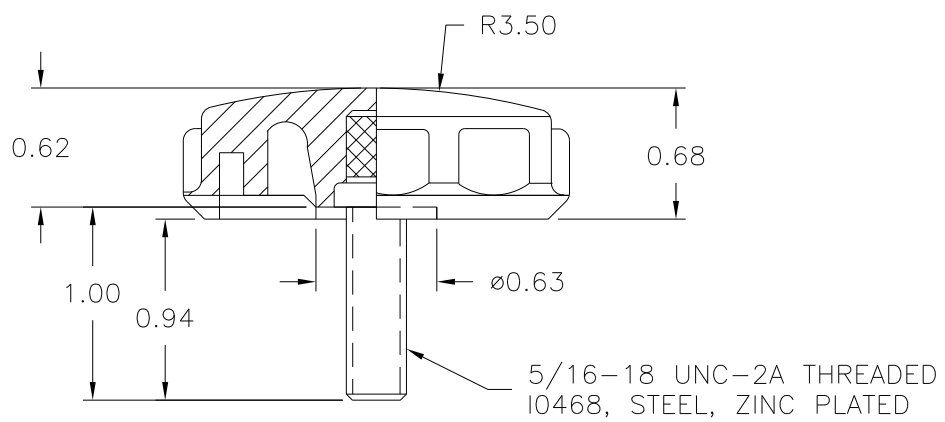
DESIGNERS & MANUFACTURERS OF KNOBS, HANDLES, CASES & CUSTOM PLASTIC COMPONENTS

P/N 5676BW  
BASE PART 5676-04

(A)  
(B)



FINNED PARTING LINE FOR SMOOTH CONDITION



MATERIAL: G.P. PHENOLIC (B11)  
COLOR: BLACK

TOLERANCES: UNLESS OTHERWISE SPECIFIED	DO NOT SCALE DRAWING			
DECIMALS: X.XXX ± .005 X.XX ± .015	MM: X.XX ± 0.15MM X.X ± 0.4MM	B	ADDED BASE PART	JAM 1/21/14
FRACTIONS ± 1/64	ANG. ± 1°	A	CORRECTED TOOLBOX	JAM 4/16/02
		-	REDRAWN	TL 10/14/99
CHANGES				