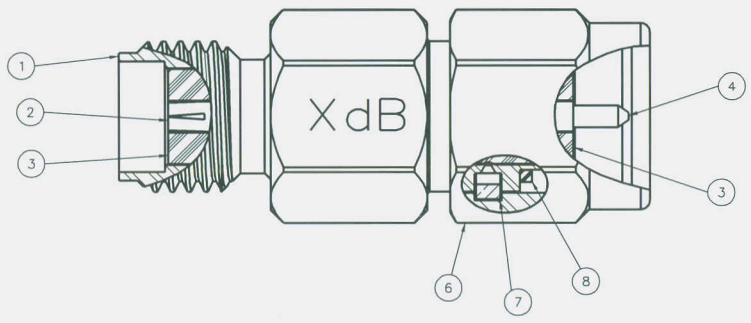
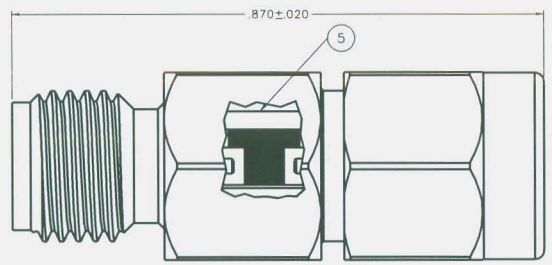
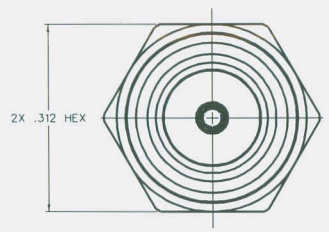
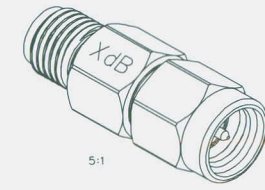


PART NUMBER	ATTENUATION "X" dB	ITEM (1) BODY	ITEM (2) CONTACT JACK	ITEM (3) INSULATOR 2X	ITEM (4) CONTACT PLUG	ITEM (5) ATTENUATOR	ITEM (6) COUPLING NUT	ITEM (7) RETENTION SPRING	ITEM (8) GASKET
141-3901-801	1	STAINLESS STEEL PASSIVATED	BERYLLIUM COPPER GOLD PL. .00003 MIN OVER NICKEL PL. .00005 MIN OVER COPPER PL. .00005 MIN	TEFLON	BRASS GOLD PL. .00003 MIN OVER NICKEL PL. .00005 MIN OVER COPPER PL. .00005 MIN	THIN FILM TANFALUM NTRIDE ALUMINA SUBSTRATE	STAINLESS STEEL PASSIVATED	BERYLLIUM COPPER UNPLATED	SILICONE RUBBER
141-3901-802	2								
141-3901-803	3								
141-3901-804	4								
141-3901-805	5								
141-3901-806	6								
141-3901-807	7								
141-3901-808	8								
141-3901-809	9								
141-3901-810	10								

*Thick film
oxide
(RuO₂)*



NOTES:
1. SPECIFICATIONS

ELECTRICAL:
IMPEDANCE: 50 OHMS NOMINAL
FREQUENCY RANGE: 0-6 GHz
ATTENUATION ACCURACY:

dB	DC-4 GHz	4-6 GHz
1-3	±0.3	±0.5
4-6	±0.4	±0.5
7-10	±0.5	±0.5

VSWR MAX:

dB	DC-2.5 GHz	2.5-4 GHz	4-6 GHz
1-3	1.15:1	1.20:1	1.25:1
4-6	1.15:1	1.20:1	1.25:1
7-10	1.15:1	1.25:1	1.30:1

AVERAGE INPUT POWER: 2W MAX AT +25°C
DERATED LINEARLY TO 0.5W MAX AT +125°C

MECHANICAL:
MATING ENGAGEMENT: MIL-STD-348A, SERIES SMA
ENGAGE/DISENGAGE FORCE: 2 IN-LBS MAX
MATING TORQUE: 8 IN-LBS MAX
COUPLING PROOF TORQUE: 15 IN-LBS MIN
COUPLING NUT RETENTION: 60 LBS MIN
DURABILITY: 500 CYCLES MIN

ENVIRONMENTAL:
OPERATING TEMPERATURE: -55°C TO +125°C
THERMAL SHOCK: MIL-STD-202, METHOD 107, CONDITION B
(EXCEPT HIGH TEMP. +100°C)
SHOCK: MIL-STD-202, METHOD 215, CONDITION 1
VIBRATION: MIL-STD-202, METHOD 204, CONDITION D

DRAWING NO.	
D	-141-3901-801/810
REVISIONS	
0	
ENGINEERING RELEASE	
1	5-23-08 2 2 7 8 5-27-08

CUSTOMER DRAWING

THIS DRAWING TO BE INTERPRETED
PER ASME Y 14.3M - 1994

"µ-STATION"

COMPANY CONFIDENTIAL

TOLERANCE UNLESS OTHERWISE SPECIFIED	DRAWN BY PAT	DATE 5-9-08	 Cinch Connectivity Solutions P.O. Box 1132 Waseca, MN 56093 1-800-247-8256
DECIMALS	CHECKED BY RB	DATE 5-27-08	
XXX REF	APPROVED BY JRK	DATE 5-27-08	TITLE SMA 6 GHz ATTENUATOR, PLUG TO JACK HEX BODY
MATL	RELEASE DATE 5-27-08	SCALE 10:1	SHEET 2 OF 2
FINISH	U/M	INCH	DRAWING NO. D-141-3901-801/810