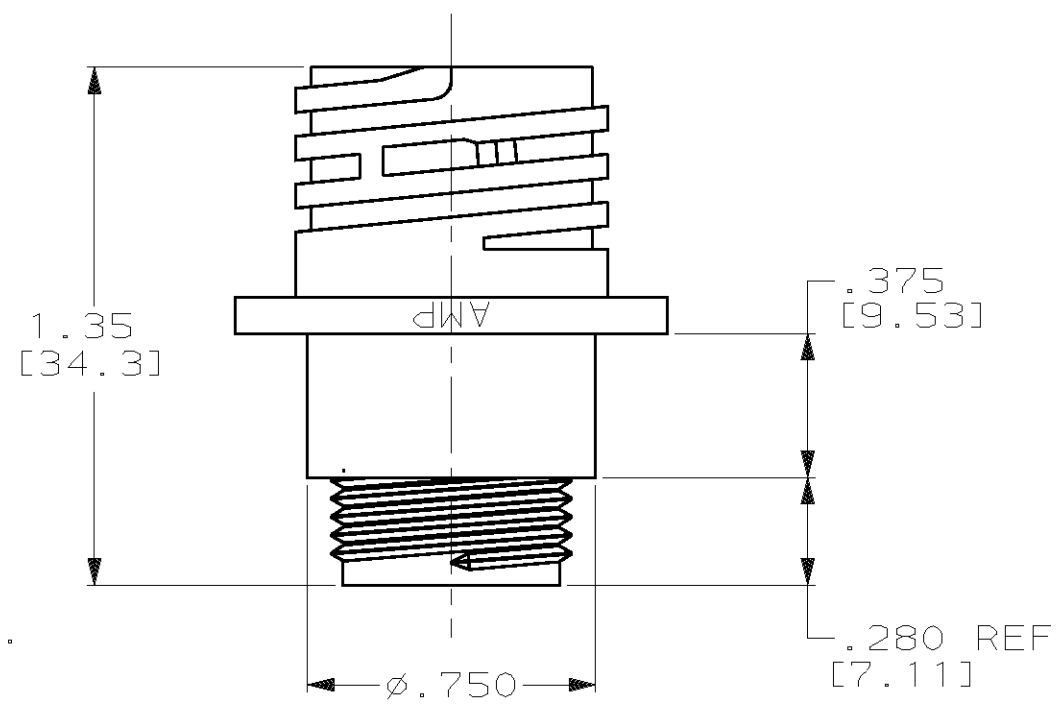
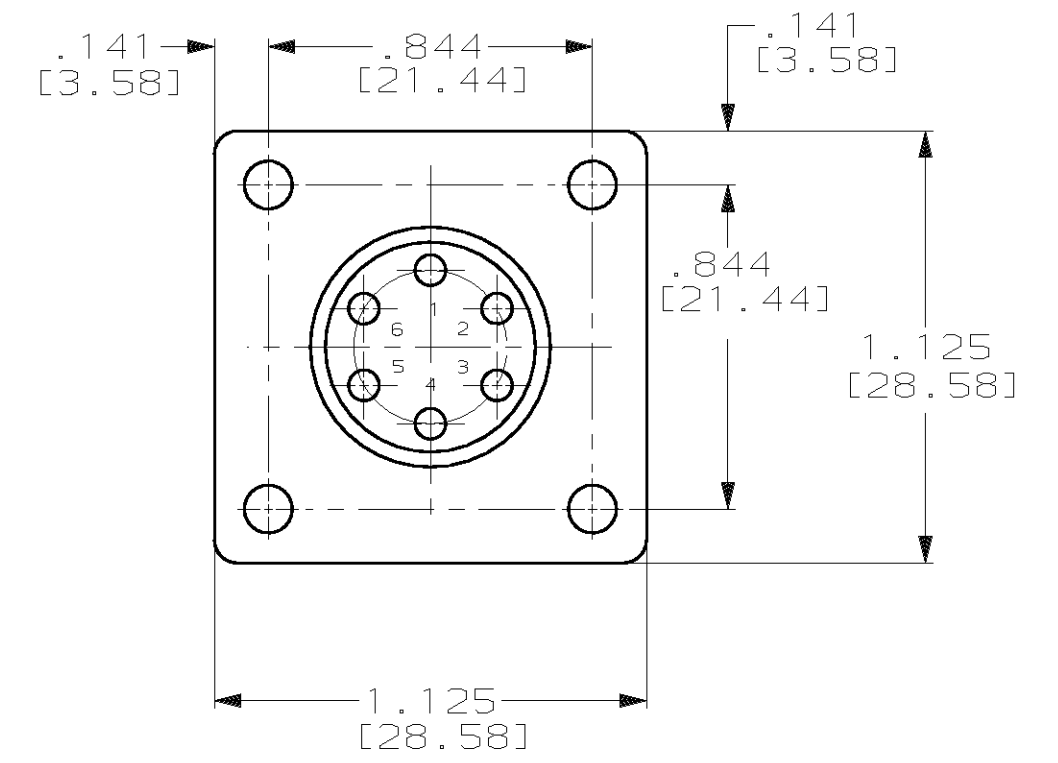
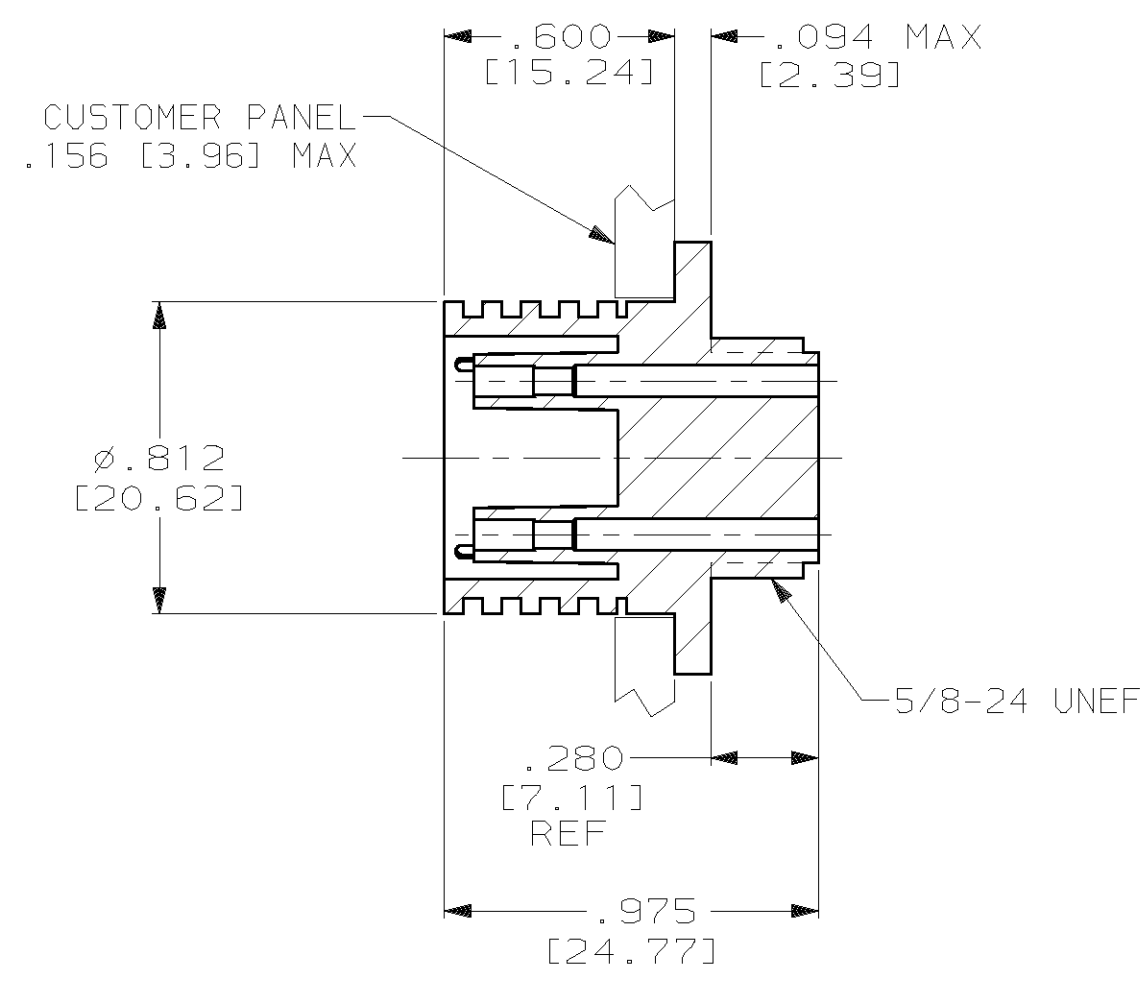
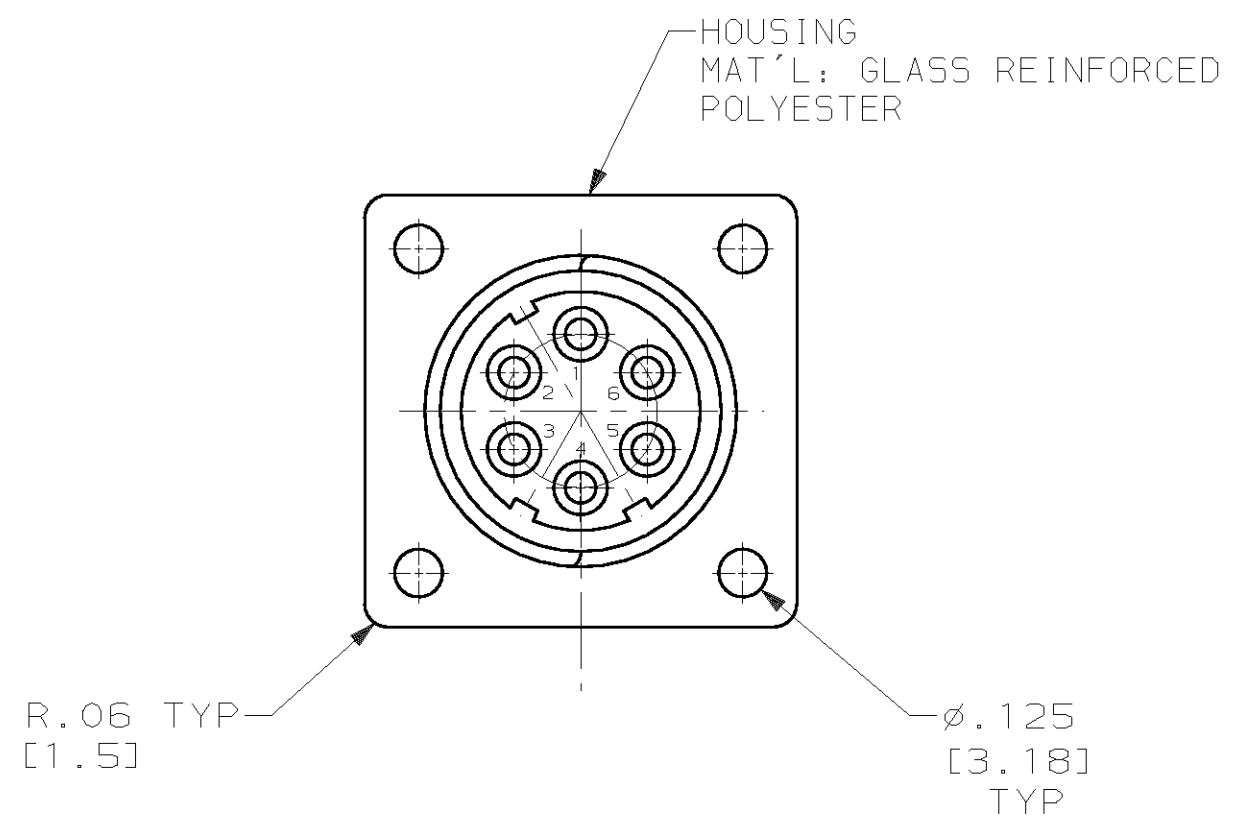


THIS DRAWING IS UNPUBLISHED. RELEASED FOR PUBLICATION
 (C) COPYRIGHT 19 BY AMP INCORPORATED. ALL RIGHTS RESERVED.

LOC	DIST	REVISIONS			
P	LTR	DESCRIPTION	DATE	DWN	APVD
DF	50	C	REV PER 063D-0115-02	4-02	CT DF



SOCKET (6) ¹
 NOT SUPPLIED WITH RECEPTACLE KIT
 FOR WIRE RANGE 20-24 AWG

- 6 SOCKETS, TIN PLATED .00015 MIN. THK. PART NUMBER 203802-6 (LOOSE PIECE). PURCHASED SEPARATELY NOT SUPPLIED WITH RECEPTACLE KIT.
- RECOMMENDED WIRE 20 - 24 AWG TEFLON COVERED WIRE .065 [1.65] DIAMETER MAX (10 KVDC RATING). GORE: F01A050, F01A060 (SUPPLIED BY CUSTOMER).
- BACK END OF CONNECTOR SHOULD BE POTTED OR PROTECTED AGAINST ARC-OVER OR BREAKDOWN WHEN OPERATING ABOVE 5 KVDC.

FIG II
(867547-2 ONLY)
ALL OTHER DIMENSIONS SAME AS -1

REMARKS	PART NUMBER
SEE FIG II	867535-2
SEE FIG I	867535-1

<small>THIS DRAWING IS A CONTROLLED DOCUMENT FOR AMP INCORPORATED. IT IS SUBJECT TO CHANGE AND THE CONTROLLING ENGINEERING ORGANIZATION SHOULD BE CONTACTED FOR THE LATEST REVISION.</small>		DWN	10-21-98	AMP Incorporated Harrisburg, PA 17105-3608
DIMENSIONS:		CHK	C.C. THOMAS 10/29/98	
INCHES [mm]		APVD	D.EABY 10/29/98	
		PRODUCT SPEC	D.EABY 10/29/98	
TOLERANCES UNLESS OTHERWISE SPECIFIED:		APPLICATION SPEC		RECEPTACLE KIT, 6 POSITION, LGH
0 PLC ±- 1 PLC ±- 2 PLC ±.03 [0.76] 3 PLC ±.015 [0.38] 4 PLC ±- ANGLES ±- FINISH -		WEIGHT		SIZE A2
MATERIAL -		CUSTOMER DRAWING		CAGE CODE 00779
				DRAWING NO. C=867535
				SCALE 2:1 SHEET 1 OF 1 REV C

867535