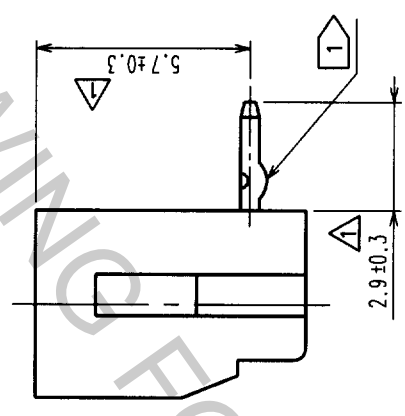
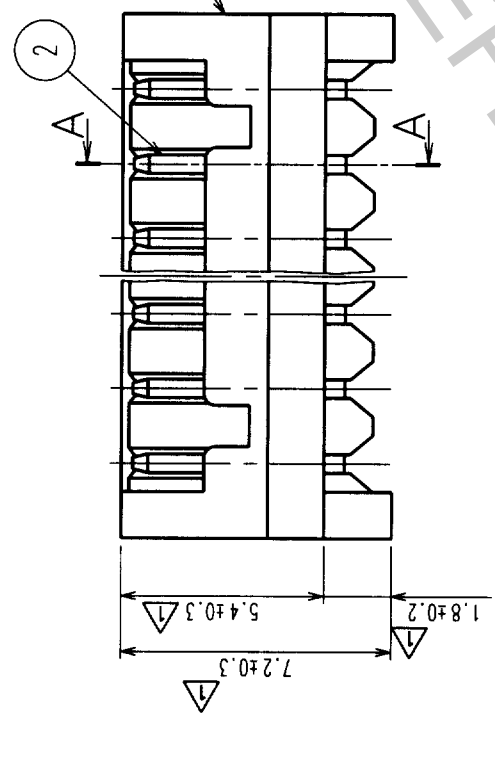
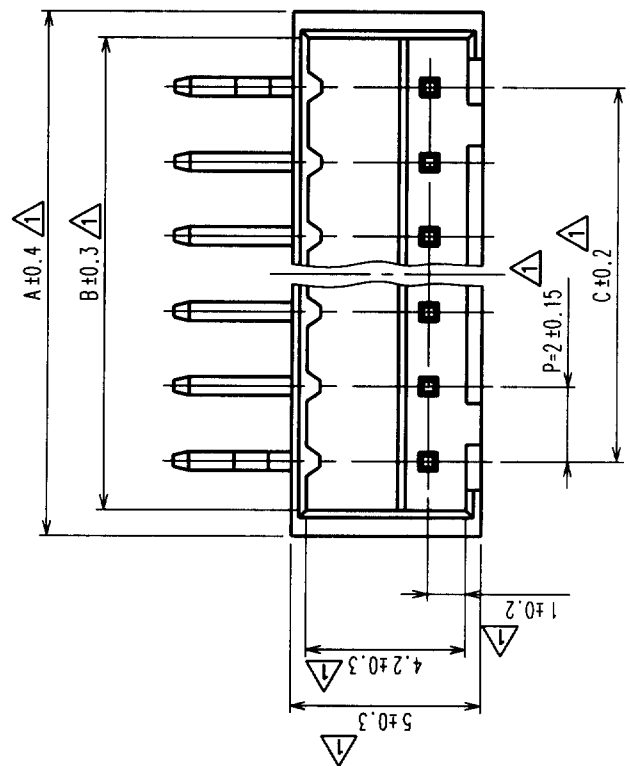
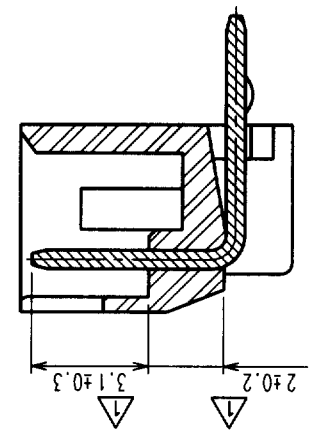


COUNT	DESCRIPTION OF REVISIONS	BY	CHKD	DATE	COUNT	DESCRIPTION OF REVISIONS	BY	CHKD	DATE
16	RE-H-03128(C)	S.H	K.A	97.5.31					

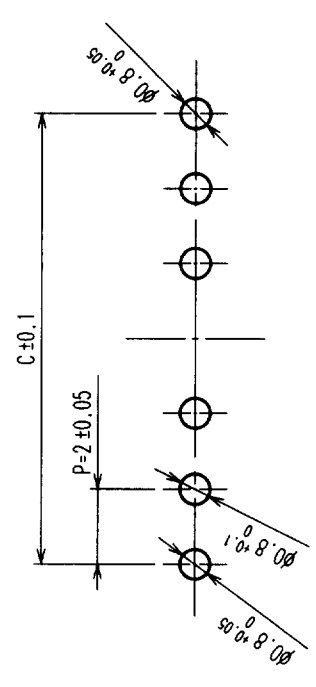


HRA NO.	PART NO.	NUMBER OF CONTACT	A	B	C
CL543-0179-4	DF3A-2P-2DS	2	6.0	4.6	2.0
CL543-0180-3	DF3A-3P-2DS	3	8.0	6.6	4.0
CL543-0181-6	DF3A-4P-2DS	4	10.0	8.6	6.0
CL543-0182-9	DF3A-5P-2DS	5	12.0	10.6	8.0
CL543-0183-1	DF3A-6P-2DS	6	14.0	12.6	10.0
CL543-0184-4	DF3A-7P-2DS	7	16.0	14.6	12.0
CL543-0185-7	DF3A-8P-2DS	8	18.0	16.6	14.0
CL543-0186-0	DF3A-9P-2DS	9	20.0	18.6	16.0
CL543-0187-2	DF3A-10P-2DS	10	22.0	20.6	18.0
CL543-0188-5	DF3A-11P-2DS	11	24.0	22.6	20.0
CL543-0189-8	DF3A-12P-2DS	12	26.0	24.6	22.0
CL543-0190-7	DF3A-13P-2DS	13	28.0	26.6	24.0
CL543-0191-0	DF3A-14P-2DS	14	30.0	28.6	26.0
CL543-0192-2	DF3A-15P-2DS	15	32.0	30.6	28.0

A-A



RECOMMENDED PATTERN



CAVITY No. 1

CONTACT No. 1

△NOTES ① : No. 1 AND \* CONTACT SHALL BE PROCESSED KINK. (\*=2-15)

POLYAMIDE		BLACK, UL94V-0		BRASS		TIN PLATING	
NO.	MATERIAL	FINISH, REMARKS	NO.	MATERIAL	FINISH, REMARKS	NO.	MATERIAL
1	POLYAMIDE	BLACK, UL94V-0	2	BRASS			
CODE NO. (OLD)		FINISH, REMARKS		DESIGNED		CHECKED	
				DRAWN		APPROVED	
				H. Igarashi		T. Oma	
				'94. 3. 29		'94. 3. 29	
				H. Igarashi		M. Yamamoto	
				'94. 3. 29		'94. 3. 29	
DRAWING NO.		PART NO.		DESIGNED		CHECKED	
EDC3-160110-01		DF3A-*P-2DS		H. Igarashi		T. Oma	
SCALE		CODE NO.		DRAWN		APPROVED	
5 : 1		CL543		H. Igarashi		M. Yamamoto	
UNITS		ITEM		'94. 3. 29		'94. 3. 29	
mm		1		'94. 3. 29		'94. 3. 29	
				H. Igarashi		M. Yamamoto	
				'94. 3. 29		'94. 3. 29	
				H. Igarashi		M. Yamamoto	
				'94. 3. 29		'94. 3. 29	

TO	